

High Performance 14-Bit, 125MSPS ADC

ISLA214P12

The ISLA214P12 is a high performance 14-bit 125MSPS analog-to-digital converter offering very high dynamic range and low power consumption. It carries the export control classification number 3A991.c.3 and can be exported without a license to most countries, including China and Russia. It is part of a pin-compatible family of 12- to 16-bit A/Ds with maximum sample rates ranging from 125 to 500MSPS. This allows a design using the ISLA214P12 to accommodate any of the other pin-compatible A/Ds with minimal changes.

The ISLA214P12 is very flexible and can be designed into a wide variety of systems. A serial peripheral interface (SPI) port allows access to its extensive configurability as well as provides digital control over various analog parameters such as input gain and offset. Digital output data is presented in selectable LVDS or CMOS formats and can be configured as full-width, single data rate (SDR) or half-width, double data rate (DDR). Operating from a 1.8V supply, performance is specified over the full industrial temperature range (-40 °C to +85 °C).

Applications

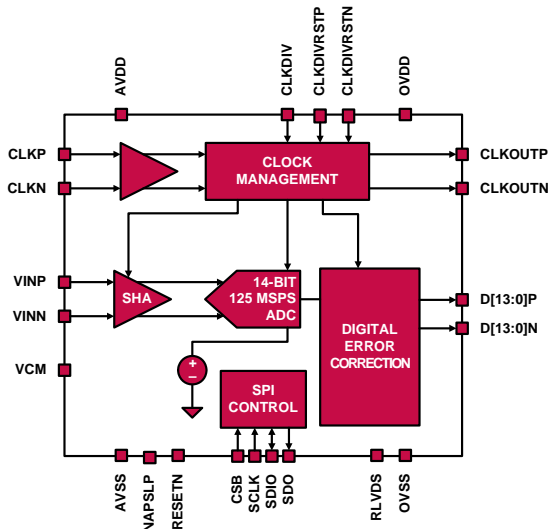
- Radar Array Processing
- Software Defined Radio
- Broadband Communications
- High Performance Data Acquisition
- Communications Test Equipment

Features

- License-free Import for most countries including China and Russia (ECCN 3A991.c.3).
- Multi-ADC Support
 - SPI Programmable Fine Gain and Offset Control
 - Multiple ADC Synchronization
 - Optimized Output Timing
- Clock Duty Cycle Stabilizer
- Nap and Sleep Modes
- Programmable Built-in Test Patterns
- SDR/DDR LVDS-Compatible or LVCMOS Outputs
- Data Output Clock

Key Specifications

- SNR @ 125MSPS
 - 74.9dBFS $f_{IN} = 30\text{MHz}$
 - 70.9dBFS $f_{IN} = 363\text{MHz}$
- SFDR @ 125MSPS
 - 88dBc $f_{IN} = 30\text{MHz}$
 - 84dBc $f_{IN} = 363\text{MHz}$
- Total Power Consumption = 310mW



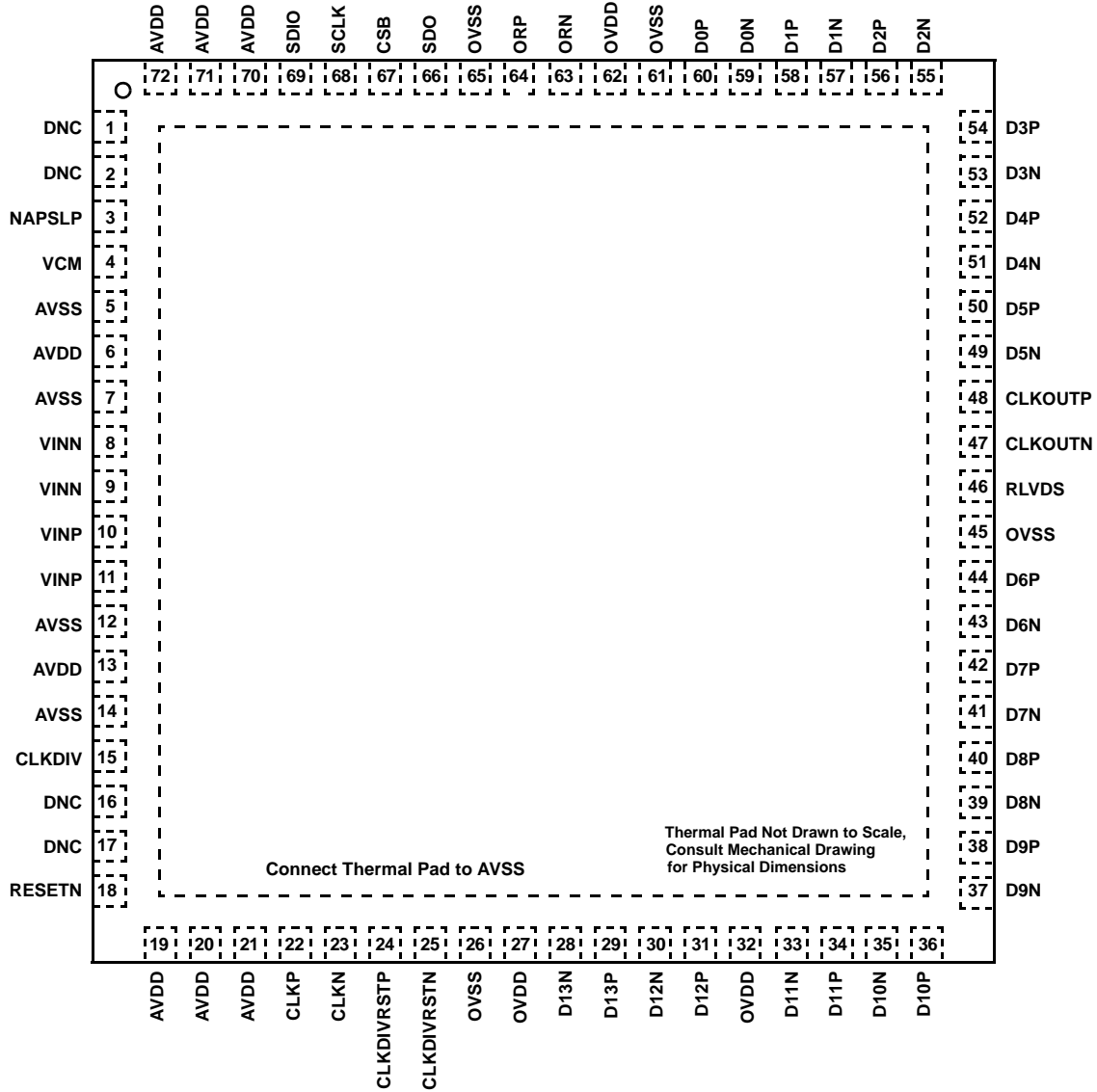
Pin-Compatible Family

| MODEL | RESOLUTION | SPEED (MSPS) |
|------------|------------|--------------|
| ISLA216P25 | 16 | 250 |
| ISLA216P20 | 16 | 200 |
| ISLA216P13 | 16 | 130 |
| ISLA214P50 | 14 | 500 |
| ISLA214P25 | 14 | 250 |
| ISLA214P20 | 14 | 200 |
| ISLA214P13 | 14 | 130 |
| ISLA212P50 | 12 | 500 |
| ISLA212P25 | 12 | 250 |
| ISLA212P20 | 12 | 200 |
| ISLA212P13 | 12 | 130 |

ISLA214P12

Pin Configuration - LVDS MODE

ISLA214P12
(72 LD QFN)
TOP VIEW



ISLA214P12

Pin Descriptions - 72 Ld QFN, LVDS Mode

| PIN NUMBER | LVDS PIN NAME | LVDS PIN FUNCTION | DDR MODE COMMENTS |
|-------------------------------|------------------------|--|-------------------------|
| 1, 2, 16, 17 | DNC | Do Not Connect | |
| 6, 13, 19, 20, 21, 70, 71, 72 | AVDD | 1.8V Analog Supply | |
| 5, 7, 12, 14 | AVSS | Analog Ground | |
| 27, 32, 62 | OVDD | 1.8V Output Supply | |
| 26, 45, 61, 65 | OVSS | Output Ground | |
| 3 | NAPSLP | Tri-Level Power Control (Nap, Sleep modes) | |
| 4 | VCM | Common Mode Output | |
| 8, 9 | VINN | Analog Input Negative | |
| 10, 11 | VINP | Analog Input Positive | |
| 15 | CLKDIV | Tri-Level Clock Divider Control | |
| 18 | RESETN | Power On Reset (Active Low) | |
| 22, 23 | CLKP, CLKN | Clock Input True, Complement | |
| 24, 25 | CLKDIVRSTP, CLKDIVRSTN | Synchronous Clock Divider Reset True, Complement | |
| 28 | D13N | LVDS Bit 13(MSB) Output Complement | NC in DDR Mode |
| 29 | D13P | LVDS Bit 13 (MSB) Output True | NC in DDR Mode |
| 30 | D12N | LVDS Bit 12 Output Complement | DDR Logical Bits 12, 13 |
| 31 | D12P | LVDS Bit 12 Output True | DDR Logical Bits 12, 13 |
| 33 | D11N | LVDS Bit 11 Output Complement | NC in DDR Mode |
| 34 | D11P | LVDS Bit 11 Output True | NC in DDR Mode |
| 35 | D10N | LVDS Bit 10 Output Complement | DDR Logical Bits 10, 11 |
| 36 | D10P | LVDS Bit 10 Output True | DDR Logical Bits 10, 11 |
| 37 | D9N | LVDS Bit 9 Output Complement | NC in DDR Mode |
| 38 | D9P | LVDS Bit 9 Output True | NC in DDR Mode |
| 39 | D8N | LVDS Bit 8 Output Complement | DDR Logical Bits 8, 9 |
| 40 | D8P | LVDS Bit 8 Output True | DDR Logical Bits 8, 9 |
| 41 | D7N | LVDS Bit 7 Output Complement | NC in DDR Mode |
| 42 | D7P | LVDS Bit 7 Output True | NC in DDR Mode |
| 43 | D6N | LVDS Bit 6 Output Complement | DDR Logical Bits 6, 7 |
| 44 | D6P | LVDS Bit 6 Output True | DDR Logical Bits 6, 7 |
| 46 | RLVDS | LVDS Bias Resistor (Connect to OVSS with 1% 10k Ω) | |
| 47, 48 | CLKOUTN, CLKOUTP | LVDS Clock Output Complement, True | |
| 49 | D5N | LVDS Bit 5 Output Complement | NC in DDR Mode |
| 50 | D5P | LVDS Bit 5 Output True | NC in DDR Mode |
| 51 | D4N | LVDS Bit 4 Output Complement | DDR Logical Bits 4, 5 |
| 52 | D4P | LVDS Bit 4 Output True | DDR Logical Bits 4, 5 |
| 53 | D3N | LVDS Bit 3 Output Complement | NC in DDR Mode |
| 54 | D3P | LVDS Bit 3 Output True | NC in DDR Mode |
| 55 | D2N | LVDS Bit 2 Output Complement | DDR Logical Bits 2, 3 |
| 56 | D2P | LVDS Bit 2 Output True | DDR Logical Bits 2, 3 |
| 57 | D1N | LVDS Bit 1 Output Complement | NC in DDR Mode |
| 58 | D1P | LVDS Bit 1 True | NC in DDR Mode |

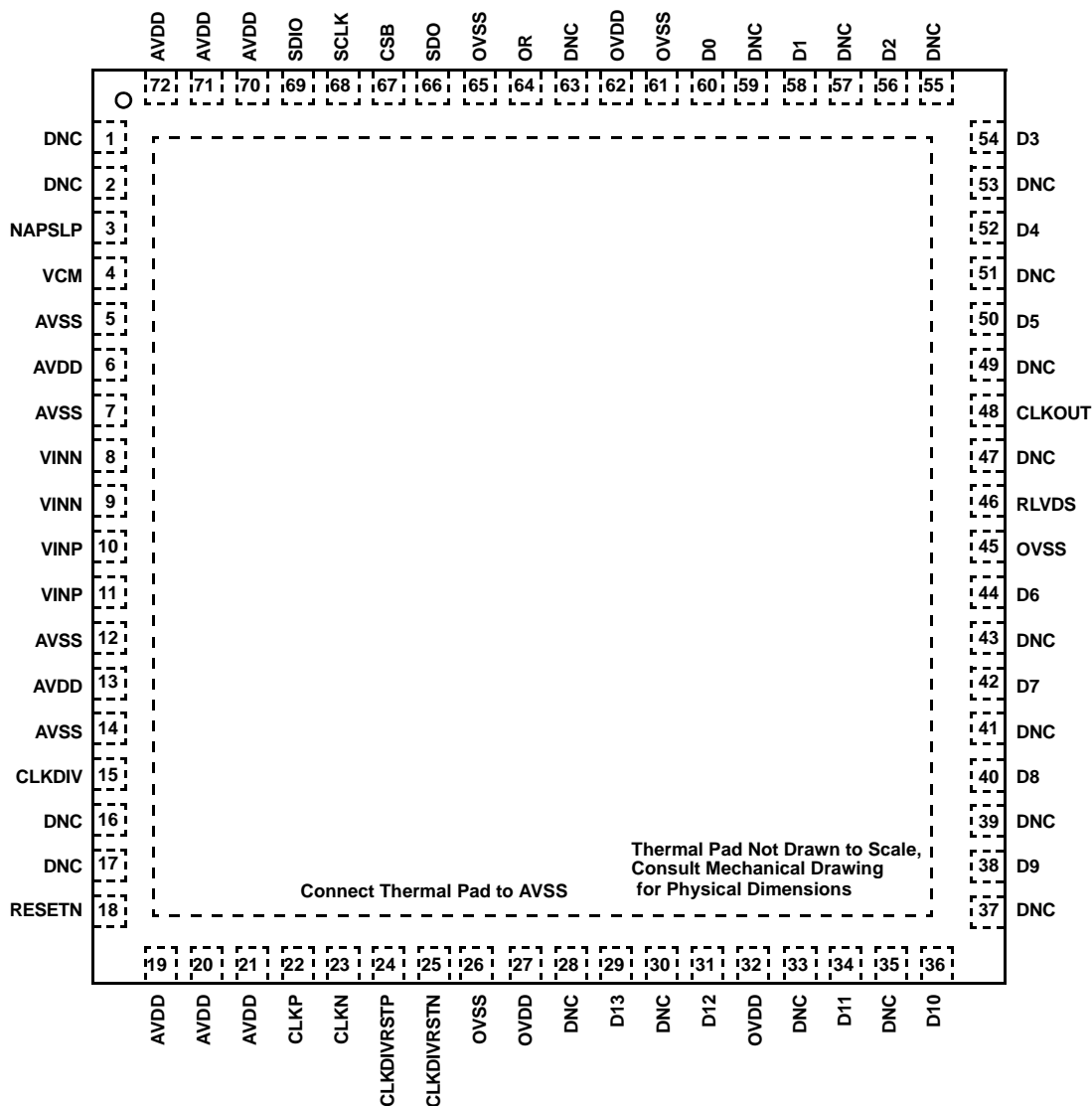
ISLA214P12

Pin Descriptions - 72 Ld QFN, LVDS Mode (Continued)

| PIN NUMBER | LVDS PIN NAME | LVDS PIN FUNCTION | DDR MODE COMMENTS |
|----------------|---------------|------------------------------------|-----------------------|
| 59 | D0N | LVDS Bit 0 (LSB) Output Complement | DDR Logical Bits 0, 1 |
| 60 | D0P | LVDS Bit 0 (LSB) Output True | DDR Logical Bits 0, 1 |
| 63, 64 | ORN, ORP | LVDS Over Range Complement, True | DDR Over Range |
| 66 | SDO | SPI Serial Data Output | |
| 67 | CSB | SPI Chip Select (active low) | |
| 68 | SCLK | SPI Clock | |
| 69 | SDIO | SPI Serial Data Input/Output | |
| Exposed Paddle | AVSS | Analog Ground | |

Pin Configuration - CMOS MODE

ISLA214P12
(72 LD QFN)
TOP VIEW



ISLA214P12

Pin Descriptions - 72 Ld QFN, CMOS Mode

| PIN NUMBER | CMOS PIN NAME | CMOS PIN FUNCTION | DDR MODE COMMENTS |
|--|------------------------|--|-------------------------|
| 1, 2, 16, 17, 28, 30, 33, 35, 37, 39, 41, 43, 47, 49, 51, 53, 55, 57, 59, 63 | DNC | Do Not Connect | |
| 6, 13, 19, 20, 21, 70, 71, 72 | AVDD | 1.8V Analog Supply | |
| 5, 7, 12, 14 | AVSS | Analog Ground | |
| 27, 32, 62 | OVDD | 1.8V Output Supply | |
| 26, 45, 61, 65 | OVSS | Output Ground | |
| 3 | NAPSLP | Tri-Level Power Control (Nap, Sleep modes) | |
| 4 | VCM | Common Mode Output | |
| 8, 9 | VINN | Analog Input Negative | |
| 10, 11 | VINP | Analog Input Positive | |
| 15 | CLKDIV | Tri-Level Clock Divider Control | |
| 18 | RESETN | Power On Reset (Active Low) | |
| 22, 23 | CLKP, CLKN | Clock Input True, Complement | |
| 24, 25 | CLKDIVRSTP, CLKDIVRSTN | Synchronous Clock Divider Reset True, Complement | |
| 29 | D13 | CMOS Bit 13 (MSB) Output | NC in DDR Mode |
| 31 | D12 | CMOS Bit 12 Output | DDR Logical Bits 12, 13 |
| 34 | D11 | CMOS Bit 11 Output | NC in DDR Mode |
| 36 | D10 | CMOS Bit 10 Output | DDR Logical Bits 10, 11 |
| 38 | D9 | CMOS Bit 9 Output | NC in DDR Mode |
| 40 | D8 | CMOS Bit 8 Output | DDR Logical Bits 8, 9 |
| 42 | D7 | CMOS Bit 7 Output | NC in DDR Mode |
| 44 | D6 | CMOS Bit 6 Output | DDR Logical Bits 6, 7 |
| 46 | RLVDS | LVDS Bias Resistor (connect to OVSS with 1% 10k Ω) | |
| 48 | CLKOUT | CMOS Clock Output | |
| 50 | D5 | CMOS Bit 5 Output | NC in DDR Mode |
| 52 | D4 | CMOS Bit 4 Output | DDR Logical Bits 4, 5 |
| 54 | D3 | CMOS Bit 3 Output | NC in DDR Mode |
| 56 | D2 | CMOS Bit 2 Output | DDR Logical Bits 2, 3 |
| 58 | D1 | CMOS Bit 1 Output | NC in DDR Mode |
| 60 | D0 | CMOS Bit 0 (LSB) Output | DDR Logical Bits 0, 1 |
| 64 | OR | CMOS Over Range | DDR Over Range |
| 66 | SDO | SPI Serial Data Output | |
| 67 | CSB | SPI Chip Select (active low) | |
| 68 | SCLK | SPI Clock | |
| 69 | SDIO | SPI Serial Data Input/Output | |
| Exposed Paddle | AVSS | Analog Ground | |

ISLA214P12

Ordering Information

| PART NUMBER (Notes 1,2) | PART MARKING | TEMP. RANGE (°C) | PACKAGE (Pb-free) | PKG. DWG. # |
|----------------------------|--|---------------------|----------------------|----------------|
| ISLA214P12IRZ | ISLA214P12 IRZ | -40°C to +85°C | 72 Ld QFN | L72.10x10E |
| ISLA214IR72EV1Z | Evaluation Board - Supports 125/130/200/250MSPS Grades | | | |
| KMB-001LEVALZ | LVDS Motherboard (Interfaces with ISLA214IR72EV1Z operating in LVDS Output Mode) | | | |
| KMB-001CEVALZ | CMOS Motherboard (Interfaces with ISLA214IR72EV1Z operating in CMOS Output Mode) | | | |

NOTES:

1. These Intersil Pb-free plastic packaged products employ special Pb-free material sets; molding compounds/die attach materials and NiPdAu plate-e4 termination finish, which is RoHS compliant and compatible with both SnPb and Pb-free soldering operations. Intersil Pb-free products are MSL classified at Pb-free peak reflow temperatures that meet or exceed the Pb-free requirements of IPC/JEDEC J STD-020.
2. For Moisture Sensitivity Level (MSL), please see device information page for [ISLA214P12](#). For more information on MSL please see techbrief [TB363](#).

Table of Contents

| | |
|--|-----------|
| Key Specifications | 1 |
| Pin-Compatible Family | 1 |
| Pin Descriptions - 72 Ld QFN, LVDS Mode | 3 |
| Pin Descriptions - 72 Ld QFN, CMOS Mode | 5 |
| Absolute Maximum Ratings | 8 |
| Thermal Information | 8 |
| Electrical Specifications | 8 |
| Digital Specifications | 10 |
| Timing Diagrams | 11 |
| Switching Specifications | 13 |
| Typical Performance Curves | 14 |
| Theory of Operation | 17 |
| Functional Description | 17 |
| Power-On Calibration | 17 |
| User Initiated Reset | 18 |
| Temperature Calibration | 19 |
| Analog Input | 20 |
| Clock Input | 20 |
| Jitter | 21 |
| Voltage Reference | 21 |
| Digital Outputs | 21 |
| Power Dissipation | 21 |
| Nap/Sleep | 21 |
| Data Format | 22 |
| Clock Divider Synchronous Reset | 22 |
| Serial Peripheral Interface | 25 |
| SPI Physical Interface | 25 |
| SPI Configuration | 25 |
| Device Information | 26 |
| Device Configuration/Control | 26 |
| Global Device Configuration/Control | 27 |
| SPI Memory Map | 29 |
| Equivalent Circuits | 31 |
| A/D Evaluation Platform | 32 |
| Layout Considerations | 32 |
| Split Ground and Power Planes | 32 |
| Clock Input Considerations | 32 |
| Exposed Paddle | 32 |
| Bypass and Filtering | 32 |
| LVDS Outputs | 32 |
| LVCMOS Outputs | 32 |
| Unused Inputs | 32 |
| Definitions | 32 |
| Revision History | 33 |
| Products | 33 |
| Package Outline Drawing | 34 |

ISLA214P12

Absolute Maximum Ratings

| | |
|---|----------------------|
| AVDD to AVSS | -0.4V to 2.1V |
| OVDD to OVSS | -0.4V to 2.1V |
| AVSS to OVSS | -0.3V to 0.3V |
| Analog Inputs to AVSS | -0.4V to AVDD + 0.3V |
| Clock Inputs to AVSS | -0.4V to AVDD + 0.3V |
| Logic Input to AVSS | -0.4V to OVDD + 0.3V |
| Logic Inputs to OVSS | -0.4V to OVDD + 0.3V |
| Latchup (Tested per JESD-78C;Class 2,Level A) | 100mA |

Thermal Information

| | | |
|------------------------------|---|----------------------|
| Thermal Resistance (Typical) | θ_{JA} (°C/W) | θ_{JC} (°C/W) |
| 72 Ld QFN (Notes 3, 4) | 23 | 0.9 |
| Operating Temperature | -40°C to +85°C | |
| Storage Temperature | -65°C to +150°C | |
| Junction Temperature | +150°C | |
| Pb-Free Reflow Profile | see link below | |
| | http://www.intersil.com/pbfree/Pb-FreeReflow.asp | |

CAUTION: Do not operate at or near the maximum ratings listed for extended periods of time. Exposure to such conditions may adversely impact product reliability and result in failures not covered by warranty.

NOTES:

- θ_{JA} is measured in free air with the component mounted on a high effective thermal conductivity test board with “direct attach” features. See Tech Brief [TB379](#).
- For θ_{JC} , the “case temp” location is the center of the exposed metal pad on the package underside.

Electrical Specifications All specifications apply under the following conditions unless otherwise noted: AVDD = 1.8V, OVDD = 1.8V, T_A = -40°C to +85°C (Typical specifications at +25°C), A_{IN} = -1dBFS, f_{SAMPLE} = 125Msps. **Boldface limits apply over the operating temperature range, -40°C to +85°C.**

| PARAMETER | SYMBOL | CONDITIONS | ISLA214P12 | | | UNITS |
|--------------------------------------|------------|---|--------------|------|--------------|--------------|
| | | | MIN (Note 5) | TYP | MAX (Note 5) | |
| DC SPECIFICATIONS (Note 6) | | | | | | |
| Analog Input | | | | | | |
| Full-Scale Analog Input Range | V_{FS} | Differential | 1.95 | 2.0 | 2.1 | V_{P-P} |
| Input Resistance | R_{IN} | Differential | | 600 | | Ω |
| Input Capacitance | C_{IN} | Differential | | 4.5 | | pF |
| Full Scale Range Temp. Drift | A_{VTC} | Full Temp | | 74 | | ppm/°C |
| Input Offset Voltage | V_{OS} | | -5.0 | -1.7 | 5.0 | mV |
| Common-Mode Output Voltage | V_{CM} | | | 0.94 | | V |
| Common-Mode Input Current (per pin) | I_{CM} | | | 2.6 | | $\mu A/MSPS$ |
| Clock Inputs | | | | | | |
| Inputs Common Mode Voltage | | | | 0.9 | | V |
| CLKP,CLKN Input Swing (Note 7) | | | | 1.8 | | V |
| Power Requirements | | | | | | |
| 1.8V Analog Supply Voltage | AVDD | | 1.7 | 1.8 | 1.9 | V |
| 1.8V Digital Supply Voltage | OVDD | | 1.7 | 1.8 | 1.9 | V |
| 1.8V Analog Supply Current | I_{AVDD} | | | 152 | 161 | mA |
| 1.8V Digital Supply Current (Note 6) | I_{OVDD} | 3mA LVDS (SDR) | | 68.5 | 77 | mA |
| Power Supply Rejection Ratio | PSRR | 30MHz, 30mV _{P-P} signal on AVDD | | 40 | | dB |
| Total Power Dissipation | | | | | | |
| Normal Mode | P_D | CMOS (DDR) | | 310 | | mW |
| | | CMOS (SDR) | | 313 | | mW |
| | | 2mA LVDS (SDR) | | 369 | | mW |
| | | 3mA LVDS (DDR) | | 360 | | |
| | | 3mA LVDS (SDR) | | 397 | 428 | |

ISLA214P12

Electrical Specifications All specifications apply under the following conditions unless otherwise noted: AVDD = 1.8V, OVDD = 1.8V, T_A = -40°C to +85°C (Typical specifications at +25°C), A_{IN} = -1dBFS, f_{SAMPLE} = 125Msps. **Boldface limits apply over the operating temperature range, -40°C to +85°C. (Continued)**

| PARAMETER | SYMBOL | CONDITIONS | ISLA214P12 | | | UNITS |
|--|--------------------|--------------------------|-----------------|-------|-----------------|-------|
| | | | MIN (Note 5) | TYP | MAX (Note 5) | |
| Nap Mode | P _D | | | 48.6 | 53 | mW |
| Sleep Mode | P _D | CSB at logic high | | 6 | 10 | mW |
| Nap/Sleep Mode Wakeup Time | | Sample Clock Running | | 630 | | μs |
| AC SPECIFICATIONS | | | | | | |
| Differential Nonlinearity | DNL | f _{IN} = 105MHz | | ±0.25 | | LSB |
| Integral Nonlinearity | INL | f _{IN} = 105MHz | | ±2.5 | | LSB |
| Minimum Conversion Rate (Note 8) | f _S MIN | | | | 40 | MSPS |
| Maximum Conversion Rate | f _S MAX | | 125 | | | MSPS |
| Signal-to-Noise Ratio (Note 9) | SNR | f _{IN} = 30MHz | | 74.9 | | dBFS |
| | | f _{IN} = 105MHz | 73.0 | 74.3 | | dBFS |
| | | f _{IN} = 190MHz | | 73.3 | | dBFS |
| | | f _{IN} = 363MHz | | 70.9 | | dBFS |
| | | f _{IN} = 461MHz | | 69.5 | | dBFS |
| | | f _{IN} = 605MHz | | 67.8 | | dBFS |
| Signal-to-Noise and Distortion (Note 9) | SINAD | f _{IN} = 30MHz | | 74.6 | | dBFS |
| | | f _{IN} = 105MHz | 70.8 | 73.6 | | dBFS |
| | | f _{IN} = 190MHz | | 72.2 | | dBFS |
| | | f _{IN} = 363MHz | | 70.6 | | dBFS |
| | | f _{IN} = 461MHz | | 65.9 | | dBFS |
| | | f _{IN} = 605MHz | | 61.1 | | dBFS |
| Effective Number of Bits (Note 9) | ENOB | f _{IN} = 30MHz | | 12.10 | | Bits |
| | | f _{IN} = 105MHz | 11.47 | 11.93 | | Bits |
| | | f _{IN} = 190MHz | | 11.70 | | Bits |
| | | f _{IN} = 363MHz | | 11.44 | | Bits |
| | | f _{IN} = 461MHz | | 10.65 | | Bits |
| | | f _{IN} = 605MHz | | 9.86 | | Bits |
| Spurious-Free Dynamic Range (Note 9) | SFDR | f _{IN} = 30MHz | | 88 | | dBc |
| | | f _{IN} = 105MHz | 70 | 83 | | dBc |
| | | f _{IN} = 190MHz | | 78 | | dBc |
| | | f _{IN} = 363MHz | | 84 | | dBc |
| | | f _{IN} = 461MHz | | 68 | | dBc |
| | | f _{IN} = 605MHz | | 61 | | dBc |

ISLA214P12

Electrical Specifications All specifications apply under the following conditions unless otherwise noted: AVDD = 1.8V, OVDD = 1.8V, TA = -40°C to +85°C (Typical specifications at +25°C), AIN = -1dBFS, fSAMPLE = 125Msps. **Boldface limits apply over the operating temperature range, -40°C to +85°C. (Continued)**

| PARAMETER | SYMBOL | CONDITIONS | ISLA214P12 | | | UNITS |
|---|---------|--------------------------|--------------|-------------------|--------------|-------|
| | | | MIN (Note 5) | TYP | MAX (Note 5) | |
| Spurious-Free Dynamic Range Excluding H2, H3 | SFDRX23 | f _{IN} = 30MHz | | 99 | | dBc |
| | | f _{IN} = 105MHz | | 95 | | dBc |
| | | f _{IN} = 190MHz | | 91 | | dBc |
| | | f _{IN} = 363MHz | | 95 | | dBc |
| | | f _{IN} = 461MHz | | 94 | | dBc |
| | | f _{IN} = 605MHz | | 87 | | dBc |
| Intermodulation Distortion | IMD | f _{IN} = 70MHz | | -85 | | dBFS |
| | | f _{IN} = 170MHz | | -105 | | dBFS |
| Word Error Rate | WER | | | 10 ⁻¹² | | |
| Full Power Bandwidth | FPBW | | | 700 | | MHz |

NOTES:

- Compliance to datasheet limits is assured by one or more methods: production test, characterization and/or design.
- Digital Supply Current is dependent upon the capacitive loading of the digital outputs. I_{OVDD} specifications apply for 10pF load on each digital output
- See "Clock Input" on page 20.
- The DLL Range setting must be changed for low-speed operation.
- Minimum specification guaranteed when calibrated at +85°C.

Digital Specifications Boldface limits apply over the operating temperature range, -40°C to +85°C.

| PARAMETER | SYMBOL | CONDITIONS | MIN (Note 5) | TYP | MAX (Note 5) | UNITS |
|---|------------------|------------------------|--------------|------|--------------|-------|
| INPUTS (Note 10) | | | | | | |
| Input Current High (RESETN) | I _{IH} | V _{IN} = 1.8V | 0 | 1 | 10 | μA |
| Input Current Low (RESETN) | I _{IL} | V _{IN} = 0V | -25 | -12 | -8 | μA |
| Input Current High (SDIO) | I _{IH} | V _{IN} = 1.8V | | 4 | 12 | μA |
| Input Current Low (SDIO) | I _{IL} | V _{IN} = 0V | -600 | -415 | -300 | μA |
| Input Current High (CSB) | I _{IH} | V _{IN} = 1.8V | 40 | 58 | 75 | |
| Input Current Low (CSB) | I _{IL} | V _{IN} = 0V | | 5 | 10 | |
| Input Current High (CLKDIV) | I _{IH} | | 16 | 25 | 34 | μA |
| Input Current Low (CLKDIV) | I _{IL} | | -34 | -25 | -16 | μA |
| Input Voltage High (SDIO, RESETN) | V _{IH} | | 1.17 | | | V |
| Input Voltage Low (SDIO, RESETN) | V _{IL} | | | | 0.63 | V |
| Input Capacitance | C _{DI} | | | 4 | | pF |
| LVDS INPUTS (CLKDIVRSTP, CLKDIVRSTN) | | | | | | |
| Input Common Mode Range | V _{ICM} | | 825 | | 1575 | mV |
| Input Differential Swing (peak to peak, single-ended) | V _{ID} | | 250 | | 450 | mV |
| CLKDIVRSTP Input Pull-down Resistance | R _{Ipd} | | | 100 | | kΩ |
| CLKDIVRSTN Input Pull-up Resistance | R _{Ipu} | | | 100 | | kΩ |

ISLA214P12

Digital Specifications **Boldface limits apply over the operating temperature range, -40°C to +85°C. (Continued)**

| PARAMETER | SYMBOL | CONDITIONS | MIN (Note 5) | TYP | MAX (Note 5) | UNITS |
|---------------------------------------|----------|----------------------|-------------------|------------|-----------------|-------------------|
| LVDS OUTPUTS | | | | | | |
| Differential Output Voltage (Note 11) | V_T | 3mA Mode | | 612 | | mV _{p,p} |
| Output Offset Voltage | V_{OS} | 3mA Mode | 1120 | 1150 | 1200 | mV |
| Output Rise Time | t_R | | | 240 | | ps |
| Output Fall Time | t_F | | | 240 | | ps |
| CMOS OUTPUTS | | | | | | |
| Voltage Output High | V_{OH} | $I_{OH} = -500\mu A$ | OVDD - 0.3 | OVDD - 0.1 | | V |
| Voltage Output Low | V_{OL} | $I_{OL} = 1mA$ | | 0.1 | 0.3 | V |
| Output Rise Time | t_R | | | 1.8 | | ns |
| Output Fall Time | t_F | | | 1.4 | | ns |

NOTES:

- The Tri-Level Inputs internal switching thresholds are approximately 0.43V and 1.34V. It is advised to float the inputs, tie to ground or AVDD depending on desired function.
- The voltage is expressed in peak-to-peak differential swing. The peak-to-peak singled-ended swing is 1/2 of the differential swing.

Timing Diagrams

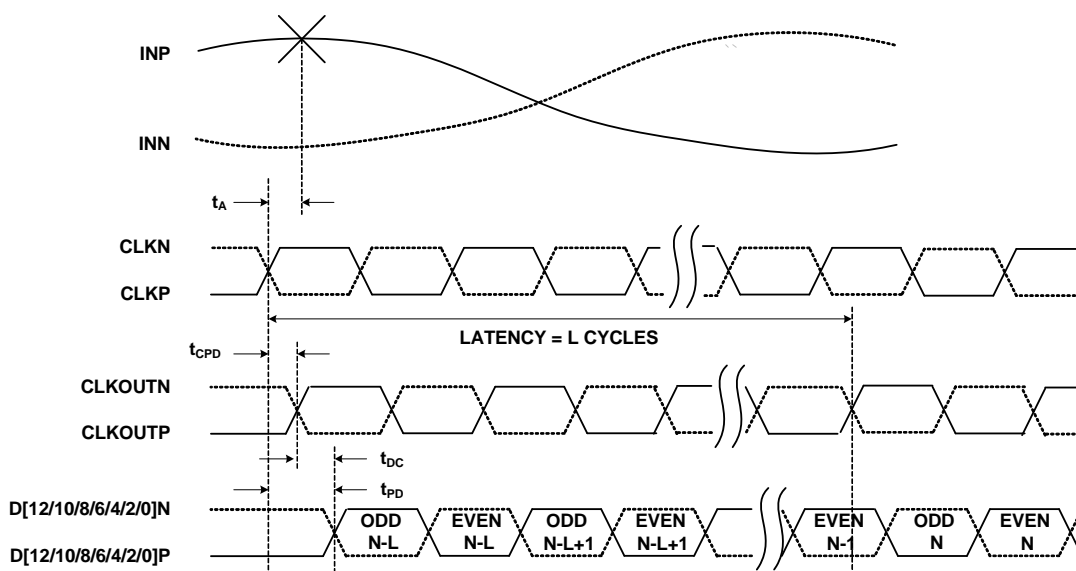


FIGURE 1A. LVDS DDR

Timing Diagrams (Continued)

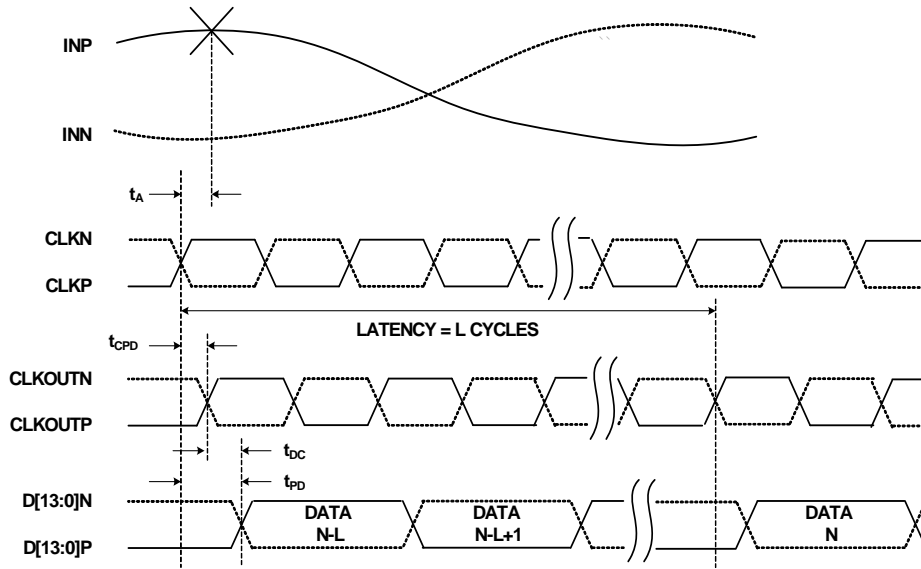


FIGURE 1B. LVDS SDR

FIGURE 1. LVDS TIMING DIAGRAMS

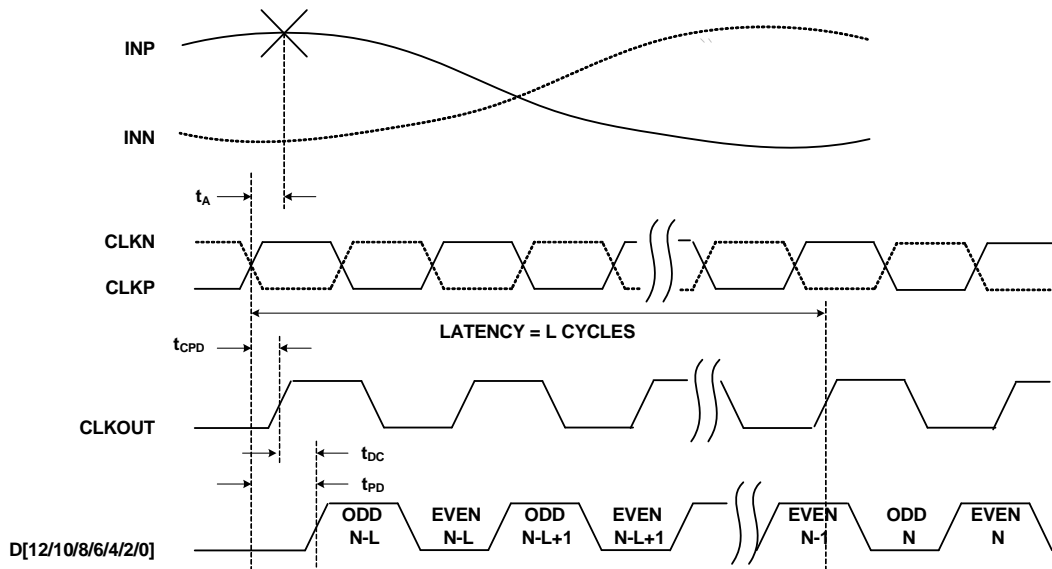


FIGURE 2A. CMOS DDR

Timing Diagrams (Continued)

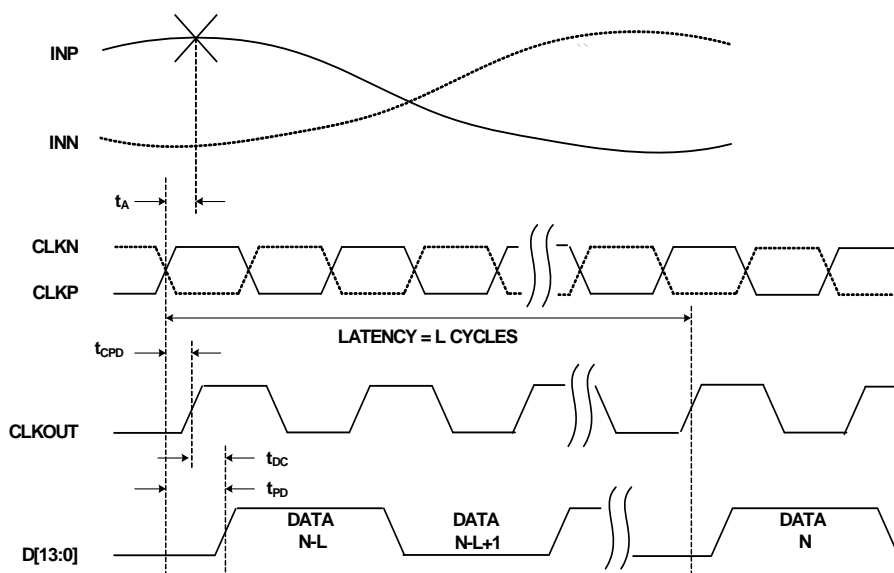


FIGURE 2B. CMOS SDR
FIGURE 2. CMOS TIMING DIAGRAMS

Switching Specifications **Boldface limits apply over the operating temperature range, -40°C to +85°C.**

| PARAMETER | SYMBOL | CONDITION | MIN (Note 5) | TYP | MAX (Note 5) | UNITS |
|--|-------------|---|-----------------|------|-----------------|--------|
| ADC OUTPUT | | | | | | |
| Aperture Delay | t_A | | | 114 | | ps |
| RMS Aperture Jitter | j_A | | | 75 | | fs |
| Input Clock to Output Clock Propagation Delay | t_{CPD} | AVDD, OVDD = 1.7V to 1.9V, $T_A = -40^\circ\text{C}$ to $+85^\circ\text{C}$ | 1.65 | 2.4 | 3 | ns |
| | | AVDD, OVDD = 1.8V, $T_A = +25^\circ\text{C}$ | 1.9 | 2.3 | 2.75 | ns |
| Relative Input Clock to Output Clock Propagation Delay (Note 12) | dt_{CPD} | AVDD, OVDD = 1.7V to 1.9V, $T_A = -40^\circ\text{C}$ to $+85^\circ\text{C}$ | -450 | | 450 | ps |
| Input Clock to Data Propagation Delay | t_{PD} | | 1.65 | 2.4 | 3.5 | ns |
| Output Clock to Data Propagation Delay, LVDS Mode | t_{DC} | Rising/Falling Edge | -0.1 | 0.16 | 0.5 | ns |
| Output Clock to Data Propagation Delay, CMOS Mode | t_{DC} | Rising/Falling Edge | -0.1 | 0.2 | 0.65 | ns |
| Synchronous Clock Divider Reset Setup Time (with respect to the positive edge of CLKP) | t_{RSTS} | | 0.4 | 0.06 | | ns |
| Synchronous Clock Divider Reset Hold Time (with respect to the positive edge of CLKP) | t_{RSTH} | | | 0.02 | 0.35 | ns |
| Synchronous Clock Divider Reset Recovery Time | t_{RSTRT} | DLL recovery time after Synchronous Reset (sample clock not interrupted) | | 30 | | cycles |
| Latency (Pipeline Delay) | L | | | 10 | | cycles |
| Overvoltage Recovery | t_{OVR} | | | 1 | | cycles |

Switching Specifications **Boldface limits apply over the operating temperature range, -40°C to +85°C. (Continued)**

| PARAMETER | SYMBOL | CONDITION | MIN (Note 5) | TYP | MAX (Note 5) | UNITS |
|-------------------------------------|-----------|-----------------|-----------------|-----|-----------------|--------|
| SPI INTERFACE (Notes 13, 14) | | | | | | |
| SCLK Period | t_{CLK} | Write Operation | 16 | | | cycles |
| | t_{CLK} | Read Operation | 16 | | | cycles |
| CSB↓ to SCLK↑ Setup Time | t_S | Read or Write | 28 | | | cycles |
| CSB↑ after SCLK↑ Hold Time | t_H | Write | 5 | | | cycles |
| CSB↑ after SCLK↓ Hold Time | t_{HR} | Read | 16 | | | cycles |
| Data Valid to SCLK↑ Setup Time | t_{DS} | Write | 6 | | | cycles |
| Data Valid after SCLK↑ Hold Time | t_{DH} | Read or Write | | | 4 | cycles |
| Data Valid after SCLK↓ Time | t_{DVR} | Read | | | 5 | cycles |

NOTES:

12. The relative propagation delay is the difference in propagation time between any two devices that are matched in temperature and voltage, and is specified over the full operating temperature and voltage range.
13. SPI Interface timing is directly proportional to the ADC sample period (t_S). Values above reflect multiples of a 4ns sample period, and must be scaled proportionally for lower sample rates. ADC sample clock must be running for SPI communication.
14. The SPI may operate asynchronously with respect to the ADC sample clock.

Typical Performance Curves

All Typical Performance Characteristics apply under the following conditions unless otherwise noted: AVDD = OVDD = 1.8V, $T_A = +25^\circ\text{C}$, $A_{IN} = -1\text{dBFS}$, $f_{IN} = 105\text{MHz}$, $f_{SAMPLE} = 125\text{MSPS}$.

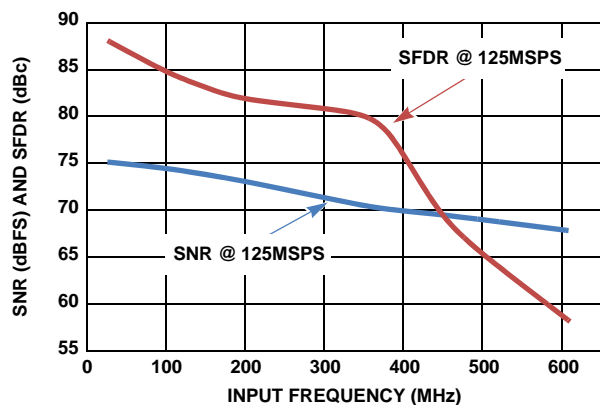


FIGURE 3. SNR AND SFDR vs f_{IN}

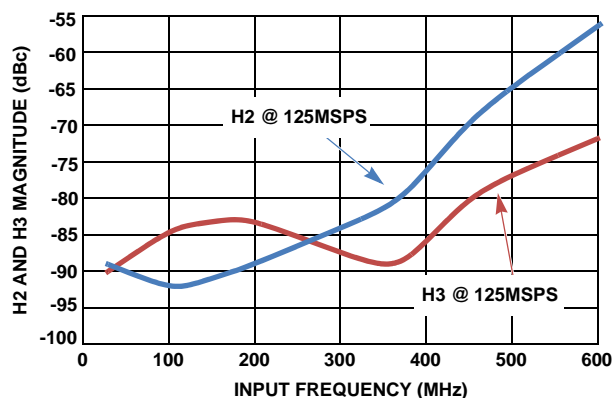


FIGURE 4. HD2 AND HD3 vs f_{IN}

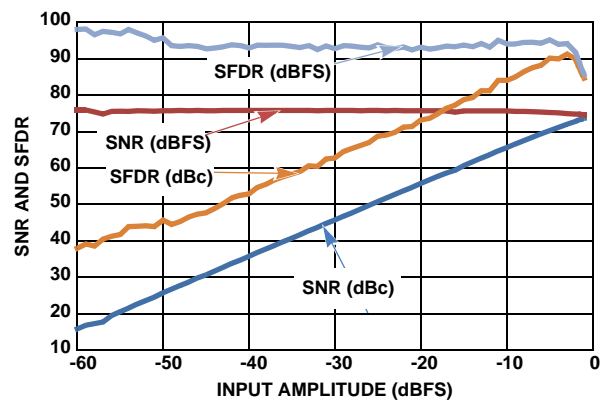


FIGURE 5. SNR AND SFDR vs A_{IN}

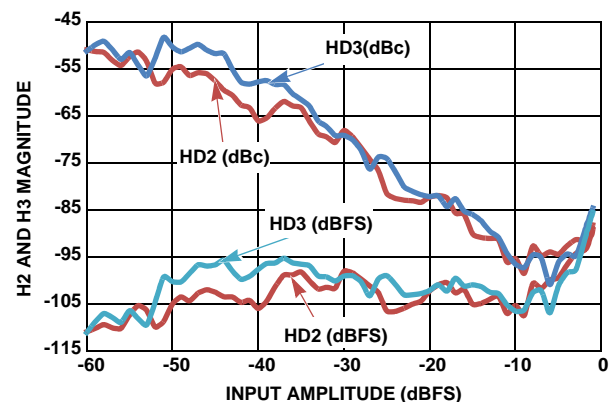


FIGURE 6. HD2 AND HD3 vs A_{IN}

Typical Performance Curves

All Typical Performance Characteristics apply under the following conditions unless otherwise noted: AVDD = OVDD = 1.8V, T_A = +25°C, A_{IN} = -1dBFS, f_{IN} = 105MHz, f_{SAMPLE} = 125MSPS. (Continued)

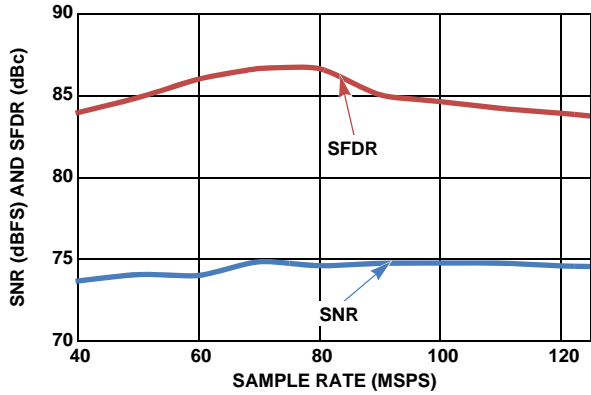


FIGURE 7. SNR AND SFDR vs f_{SAMPLE}

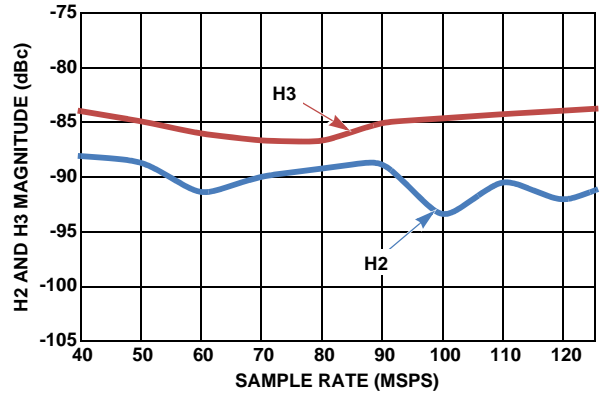


FIGURE 8. HD2 AND HD3 vs f_{SAMPLE}

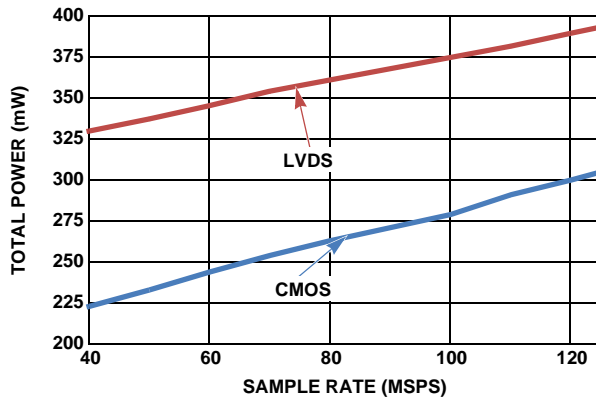


FIGURE 9. POWER vs f_{SAMPLE} IN 3mA LVDS MODE (SDR) AND CMOS MODE (DDR)

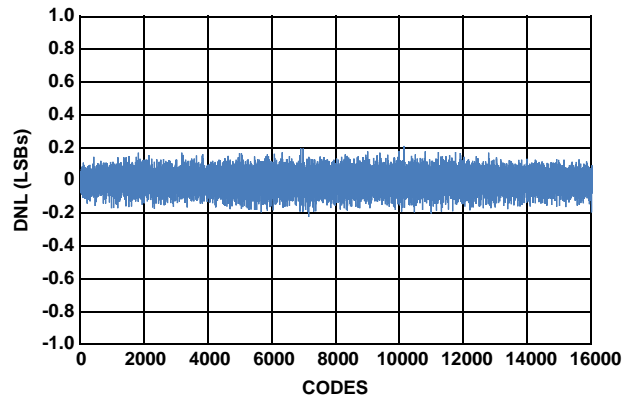


FIGURE 10. DIFFERENTIAL NONLINEARITY

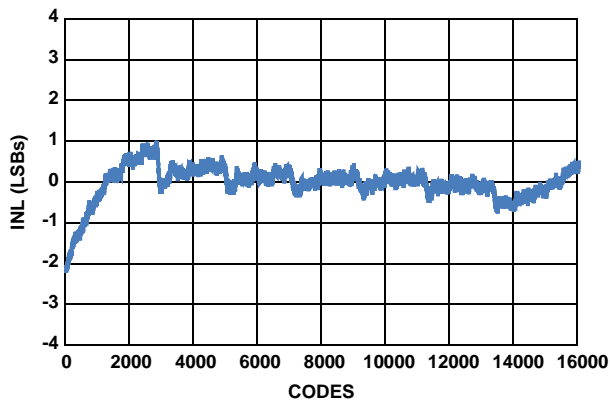


FIGURE 11. INTEGRAL NONLINEARITY

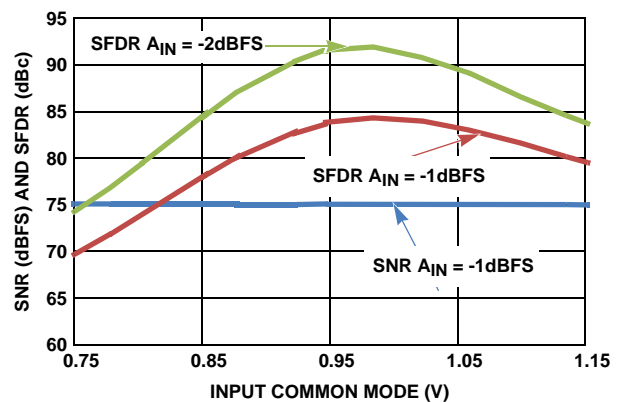


FIGURE 12. SNR AND SFDR vs VCM

Typical Performance Curves

All Typical Performance Characteristics apply under the following conditions unless otherwise noted: AVDD = OVDD = 1.8V, T_A = +25°C, A_{IN} = -1dBFS, f_{IN} = 105MHz, f_{SAMPLE} = 125MSPS. (Continued)

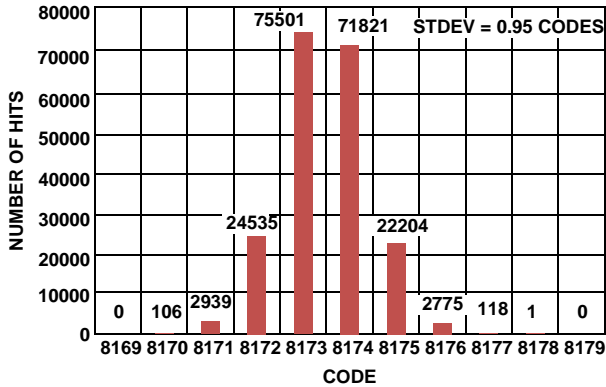


FIGURE 13. NOISE HISTOGRAM

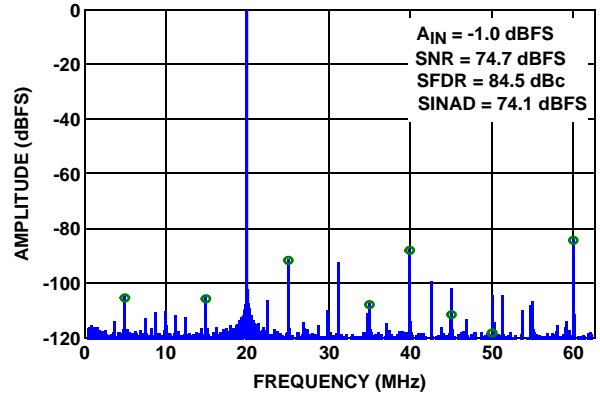


FIGURE 14. SINGLE-TONE SPECTRUM @ 105MHz

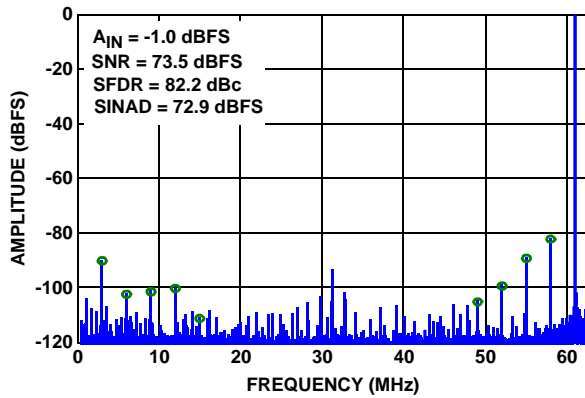


FIGURE 15. SINGLE-TONE SPECTRUM @ 190MHz

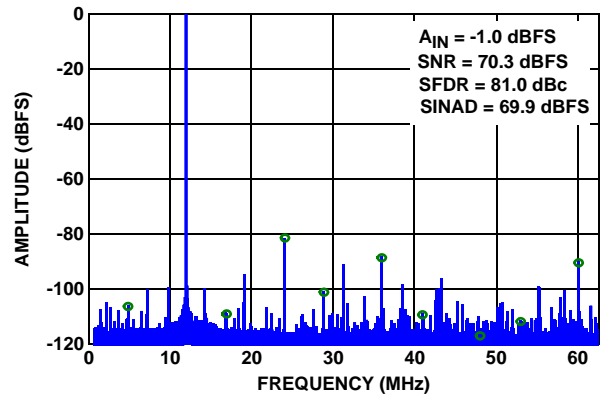


FIGURE 16. SINGLE-TONE SPECTRUM @ 363MHz

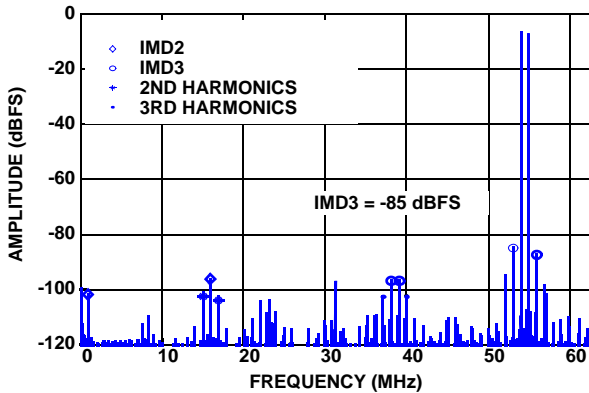


FIGURE 17. TWO-TONE SPECTRUM (F1 = 70MHz, F2 = 71MHz AT -7dBFS)

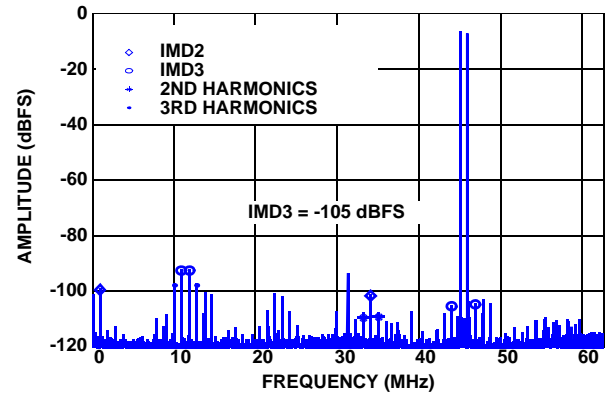


FIGURE 18. TWO-TONE SPECTRUM (F1 = 170MHz, F2 = 171MHz AT -7dBFS)

Theory of Operation

Functional Description

The ISLA214P12 is based on a 14-bit, 125MSPS A/D converter core that utilizes a pipelined successive approximation architecture (see Figure 19). The input voltage is captured by a Sample-Hold Amplifier (SHA) and converted to a unit of charge. Proprietary charge-domain techniques are used to successively compare the input to a series of reference charges. Decisions made during the successive approximation operations determine the digital code for each input value. Digital error correction is also applied, resulting in a total latency of 10 clock cycles. This is evident to the user as a latency between the start of a conversion and the data being available on the digital outputs.

Power-On Calibration

As mentioned previously, the cores perform a self-calibration at start-up. An internal power-on-reset (POR) circuit detects the supply voltage ramps and initiates the calibration when the analog and digital supply voltages are above a threshold. The following conditions must be adhered to for the power-on calibration to execute successfully.

- A frequency-stable conversion clock must be applied to the CLKP/CLKN pins
- DNC pins must not be connected
- SDO has an internal pull-up and should not be driven externally
- RESETN is pulled low by the ADC internally during POR. External driving of RESETN is optional.
- SPI communications must not be attempted

A user-initiated reset can subsequently be invoked in the event that the above conditions cannot be met at power-up.

After the power supply has stabilized the internal POR releases RESETN and an internal pull-up pulls it high, which starts the calibration sequence. If a subsequent user-initiated reset is desired, the RESETN pin should be connected to an open-drain driver with an off-state/high impedance state leakage of less than 0.5mA to assure exit from the reset state so calibration can start.

The calibration sequence is initiated on the rising edge of RESETN, as shown in Figure 20. Calibration status can be determined by reading the cal_status bit (LSB) at 0xB6. This bit is '0' during calibration and goes to a logic '1' when calibration is complete. The data outputs produce 0xCCCC during calibration; this can also be used to determine calibration status.

While RESETN is low, the output clock (CLKOUTP/CLKOUTN) is set low. Normal operation of the output clock resumes at the next input clock edge (CLKP/CLKN) after RESETN is de-asserted. At 125MSPS the nominal calibration time is 560ms, while the maximum calibration time is 1000ms.

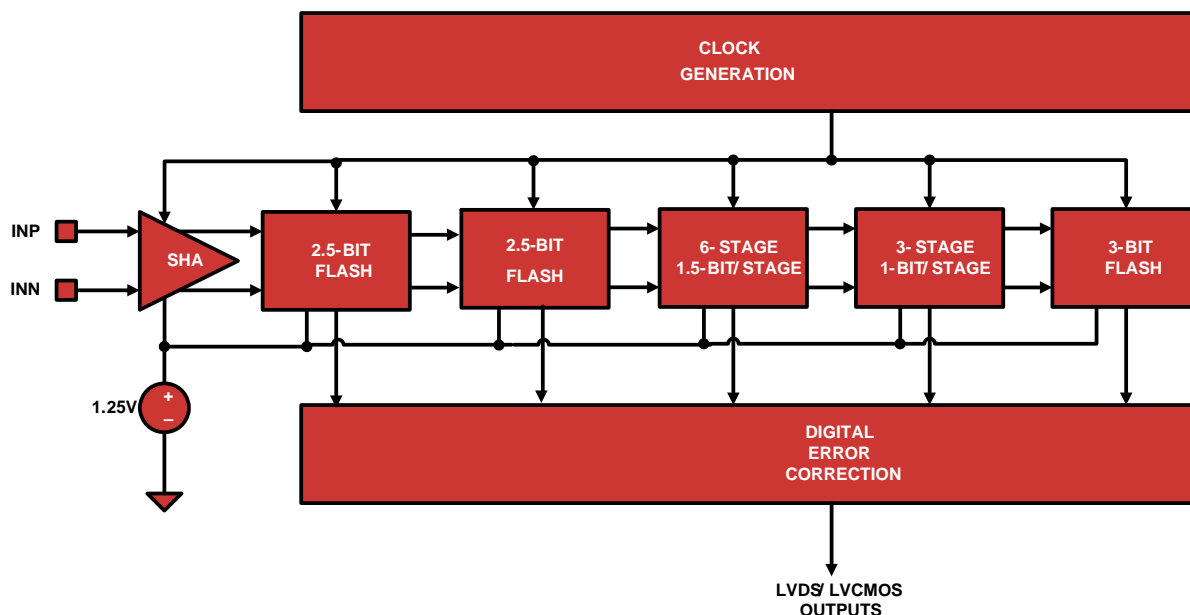


FIGURE 19. A/D CORE BLOCK DIAGRAM

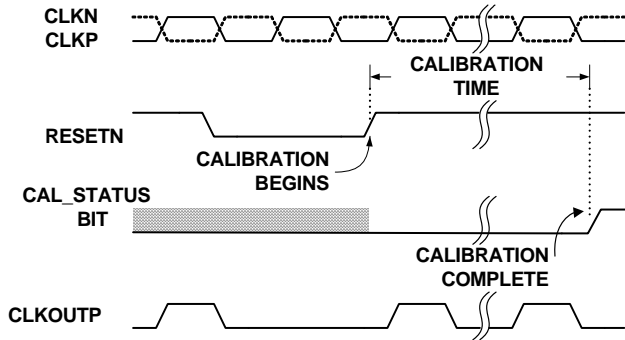


FIGURE 20. CALIBRATION TIMING

User Initiated Reset

Recalibration of the A/D can be initiated at any time by driving the RESETN pin low for a minimum of one clock cycle. An open-drain driver with a drive strength in its high impedance state of less than 0.5mA is recommended, as RESETN has an internal high impedance pull-up to OVDD. As is the case during power-on reset, RESETN and DNC pins must be in the proper state for the calibration to successfully execute.

The performance of the ISLA214P12 changes with variations in temperature, supply voltage or sample rate. The extent of these changes may necessitate recalibration, depending on system performance requirements. Best performance will be achieved by recalibrating the A/D under the environmental conditions at which it will operate.

A supply voltage variation of <100mV will generally result in an SNR change of <0.5dBFS and SFDR change of <3dBc.

In situations where the sample rate is not constant, best results will be obtained if the device is calibrated at the highest sample rate. Reducing the sample rate by less than 80MSPS will typically result in an SNR change of <0.5dBFS and an SFDR change of <3dBc.

Figures 21 through 26 show the effect of temperature on SNR and SFDR performance with power on calibration performed at -40 °C, +25 °C, and +85 °C. Each plot shows the variation of SNR/SFDR across temperature after a single power on calibration at -40 °C, +25 °C and +85 °C. Best performance is typically achieved by a user-initiated power on calibration at the operating conditions, as stated earlier. However, it can be seen that performance drift with temperature is not a very strong function of the temperature at which the power on calibration is performed.

Temperature Calibration

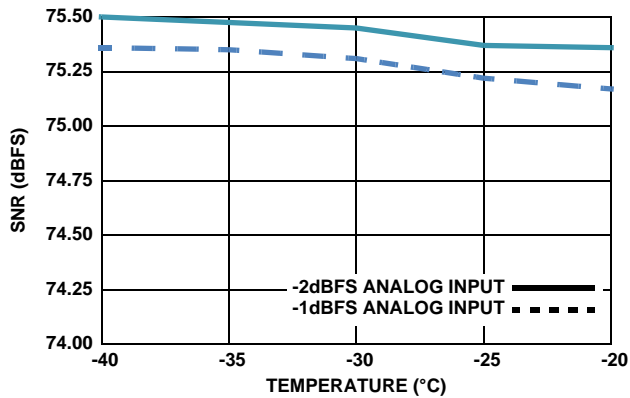


FIGURE 21. TYPICAL SNR PERFORMANCE vs TEMPERATURE, DEVICE CALIBRATED AT -40 °C, $f_{IN} = 105\text{MHz}$

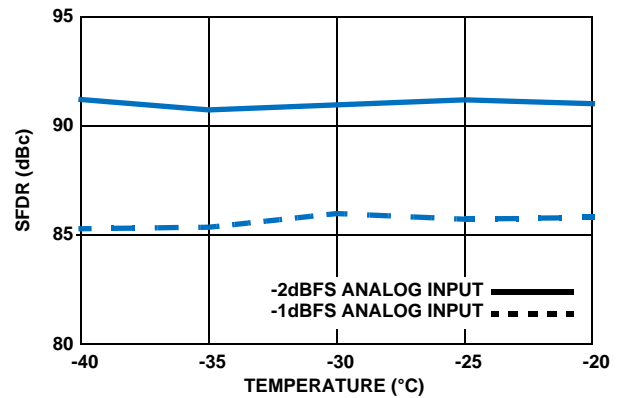


FIGURE 22. TYPICAL SFDR PERFORMANCE vs TEMPERATURE, DEVICE CALIBRATED AT -40 °C, $f_{IN} = 105\text{MHz}$

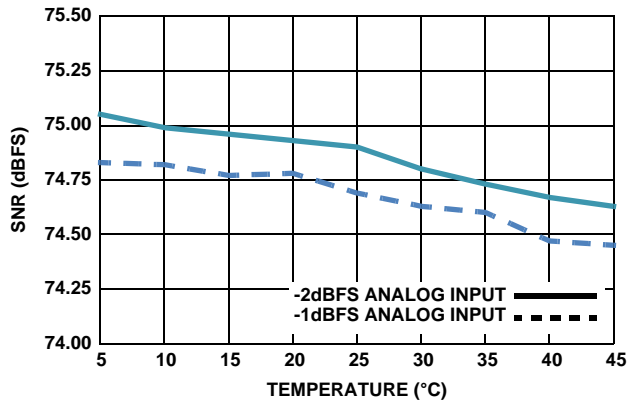


FIGURE 23. TYPICAL SNR PERFORMANCE vs TEMPERATURE, DEVICE CALIBRATED AT +25 °C, $f_{IN} = 105\text{MHz}$

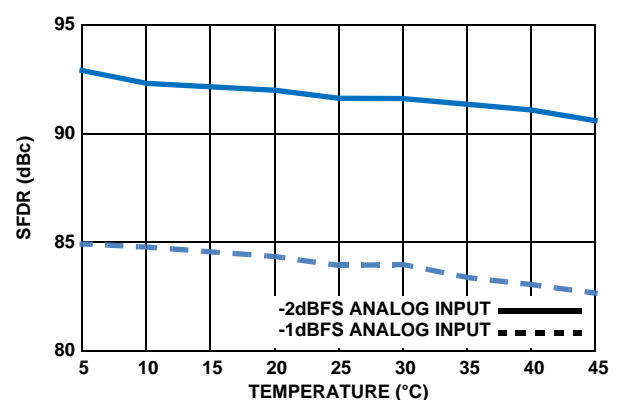


FIGURE 24. TYPICAL SFDR PERFORMANCE vs TEMPERATURE, DEVICE CALIBRATED AT +25 °C, $f_{IN} = 105\text{MHz}$

Temperature Calibration (Continued)

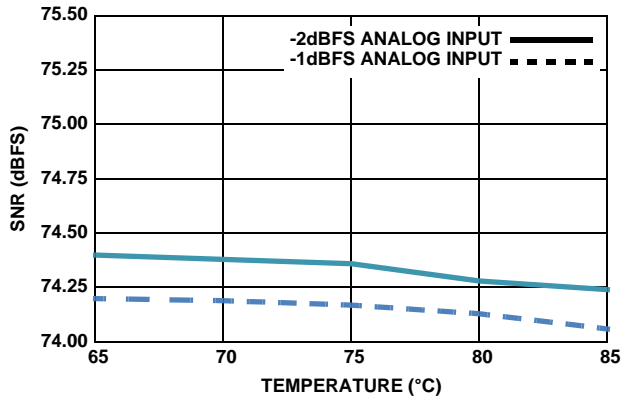


FIGURE 25. TYPICAL SNR PERFORMANCE vs TEMPERATURE, DEVICE CALIBRATED AT +85°C, $f_{IN} = 105\text{MHz}$

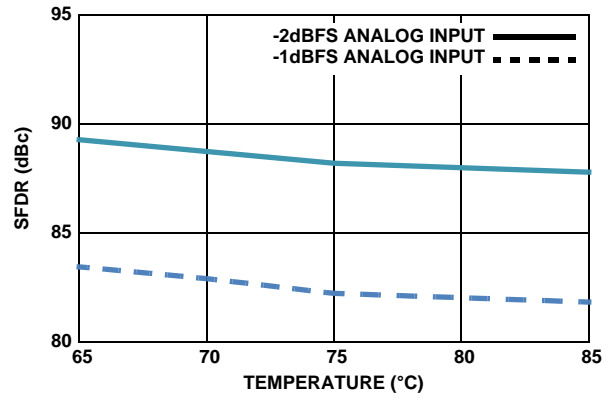


FIGURE 26. TYPICAL SFDR PERFORMANCE vs TEMPERATURE, DEVICE CALIBRATED AT +85°C, $f_{IN} = 105\text{MHz}$

Analog Input

A single fully differential input (VINP/VINN) connects to the sample and hold amplifier (SHA) of each unit A/D. The ideal full-scale input voltage is 2.0V, centered at the VCM voltage of 0.94V as shown in Figure 27.

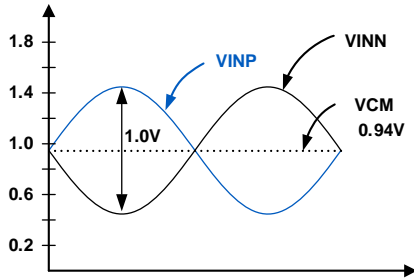


FIGURE 27. ANALOG INPUT RANGE

Best performance is obtained when the analog inputs are driven differentially. The common-mode output voltage, VCM, should be used to properly bias the inputs as shown in Figures 28 through 30. An RF transformer will give the best noise and distortion performance for wideband and/or high intermediate frequency (IF) inputs. Two different transformer input schemes are shown in Figures 28 and 29.

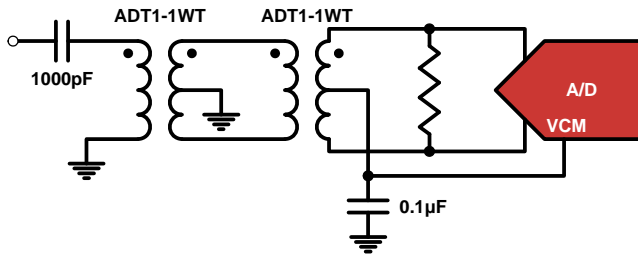


FIGURE 28. TRANSFORMER INPUT FOR GENERAL PURPOSE APPLICATIONS

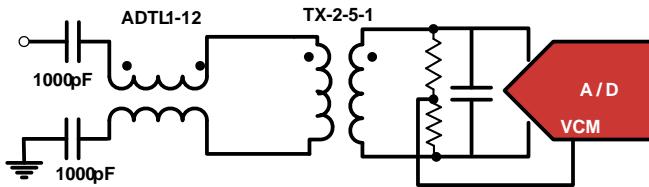


FIGURE 29. TRANSMISSION-LINE TRANSFORMER INPUT FOR HIGH IF APPLICATIONS

This dual transformer scheme is used to improve common-mode rejection, which keeps the common-mode level of the input matched to VCM. The value of the shunt resistor should be determined based on the desired load impedance. The differential input resistance of the ISLA214P12 is 600Ω.

The SHA design uses a switched capacitor input stage (see Figure 43), which creates current spikes when the sampling capacitance is reconnected to the input voltage. This causes a disturbance at the input which must settle before the next sampling point. Lower source impedance will result in faster settling and improved performance. Therefore a 2:1 or 1:1

transformer and low shunt resistance are recommended for optimal performance.

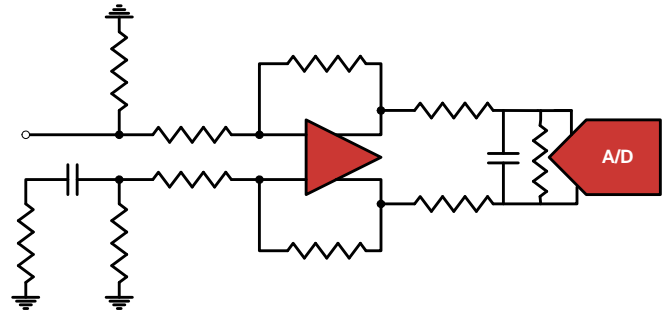


FIGURE 30. DIFFERENTIAL AMPLIFIER INPUT

A differential amplifier, as shown in the simplified block diagram in Figure 30, can be used in applications that require DC-coupling. In this configuration, the amplifier will typically dominate the achievable SNR and distortion performance. Intersil's new ISL552x differential amplifier family can also be used in certain AC applications with minimal performance degradation. Contact the factory for more information.

Clock Input

The clock input circuit is a differential pair (see Figure 44). Driving these inputs with a high level (up to 1.8V_{p-p} on each input) sine or square wave will provide the lowest jitter performance. A transformer with 4:1 impedance ratio will provide increased drive levels. The clock input is functional with AC-coupled LVDS, LVPECL, and CML drive levels. To maintain the lowest possible aperture jitter, it is recommended to have high slew rate at the zero crossing of the differential clock input signal.

The recommended drive circuit is shown in Figure 31. A duty range of 40% to 60% is acceptable. The clock can be driven single-ended, but this will reduce the edge rate and may impact SNR performance. The clock inputs are internally self-biased to AVDD/2 to facilitate AC coupling.

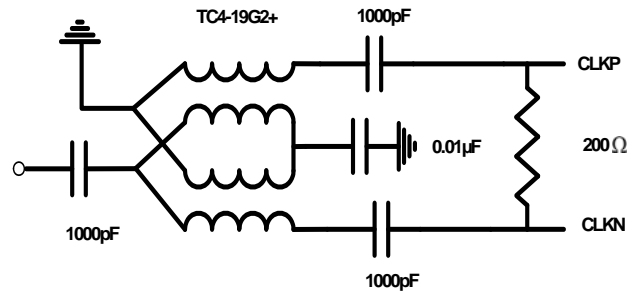


FIGURE 31. RECOMMENDED CLOCK DRIVE

A selectable 2x or 4x frequency divider is provided in series with the clock input. The divider can be used in the 2x mode with a sample clock equal to twice the desired sample rate or in 4x mode with a sample clock equal to four times the desired sample rate. This allows the use of the Phase Slip feature, which enables synchronization of multiple ADCs. The Phase Slip feature can be used as an alternative to using the CLKDIVRST pins to synchronize ADCs in a multiple ADC system.

TABLE 1. CLKDIV PIN SETTINGS

| CLKDIV PIN | DIVIDE RATIO |
|------------|--------------|
| AVSS | 2 |
| Float | 1 |
| AVDD | 4 |

The clock divider can also be controlled through the SPI port, which overrides the CLKDIV pin setting. See “SPI Physical Interface” on page 25. A delay-locked loop (DLL) generates internal clock signals for various stages within the charge pipeline. If the frequency of the input clock changes, the DLL may take up to 100µs to regain lock at 125MSPS. The lock time is inversely proportional to the sample rate.

The DLL has two ranges of operation, slow and fast. The slow range can be used for sample rates between 40MSPS and 100MSPS, while the default fast range can be used from 80MSPS to the maximum specified sample rate.

Jitter

In a sampled data system, clock jitter directly impacts the achievable SNR performance. The theoretical relationship between clock jitter (t_j) and SNR is shown in Equation 1 and is illustrated in Figure 32.

$$SNR = 20 \log_{10} \left(\frac{1}{2\pi f_{IN} t_j} \right) \quad (EQ. 1)$$

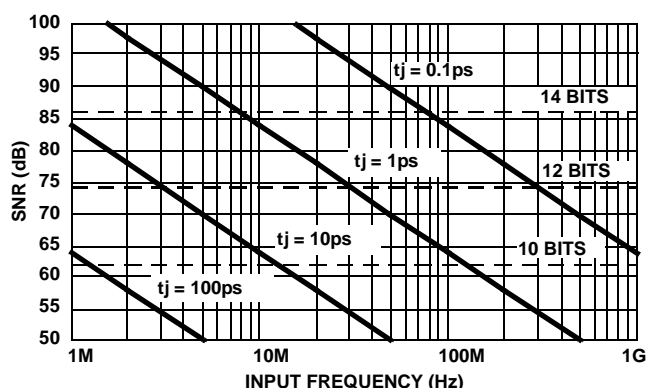


FIGURE 32. SNR vs CLOCK JITTER

This relationship shows the SNR that would be achieved if clock jitter were the only non-ideal factor. In reality, achievable SNR is limited by internal factors such as linearity, aperture jitter and thermal noise. Internal aperture jitter is the uncertainty in the sampling instant shown in Figure 1A. The internal aperture jitter combines with the input clock jitter in a root-sum-square fashion, since they are not statistically correlated, and this determines the total jitter in the system. The total jitter, combined with other noise sources, then determines the achievable SNR.

Voltage Reference

A temperature compensated internal voltage reference provides the reference charges used in the successive approximation operations. The full-scale range of each A/D is proportional to the reference voltage. The nominal value of the voltage reference is 1.25V.

Digital Outputs

Output data is available as a parallel bus in LVDS-compatible(default) or CMOS modes. In either case, the data is presented in either double data rate (DDR) or single data rate (default) format. Figures 1A and 1B show the timing relationships for LVDS and CMOS modes, respectively.

Additionally, the drive current for LVDS mode can be set to a nominal 3mA(default) or a power-saving 2mA. The lower current setting can be used in designs where the receiver is in close physical proximity to the A/D. The applicability of this setting is dependent upon the PCB layout, therefore the user should experiment to determine if performance degradation is observed. Note that a far-end termination resistor is required in LVDS mode for correct operation.

The output mode can be controlled through the SPI port, by writing to address 0x73, see “Serial Peripheral Interface” on page 25.

An external resistor creates the bias for the LVDS drivers. A 10kΩ, 1% resistor must be connected from the RLVD pin to OVSS.

Over-Range Indicator

The over-range (OR) bit is asserted when the magnitude of the analog input exceeds positive or negative fullscale of the ADC. The output code does not wrap around during an over-range condition. The OR bit is updated at the sample rate.

Power Dissipation

The power dissipated by the ISLA214P12 is primarily dependent on the sample rate and the output modes: LVDS vs CMOS and DDR vs SDR. There is a static bias in the analog supply, while the remaining power dissipation is linearly related to the sample rate. The output supply dissipation changes to a lesser degree in LVDS mode, but is more strongly related to the clock frequency in CMOS mode.

Nap/Sleep

Portions of the device may be shut down to save power during times when operation of the A/D is not required. Two power saving modes are available: Nap, and Sleep. Nap mode reduces power dissipation to < 60mW while Sleep mode reduces power dissipation to 9mW typically.

All digital outputs (Data, CLKOUT and OR) are placed in a high impedance state during Nap or Sleep. The input clock should remain running and at a fixed frequency during Nap or Sleep, and CSB should be high. Recovery time from Nap mode will increase if the clock is stopped, since the internal DLL can take up to 100µs to regain lock at 125MSPS.

By default after the device is powered on, the operational state is controlled by the NAPSLP pin as shown in Table 2.

TABLE 2. NAPSLP PIN SETTINGS

| NAPSLP PIN | MODE |
|------------|--------|
| AVSS | Normal |
| Float | Sleep |
| AVDD | Nap |

The power-down mode can also be controlled through the SPI port, which overrides the NAPSLP pin setting. Details on this are contained in “Serial Peripheral Interface” on page 25.

Data Format

Output data can be presented in three formats: two’s complement (default), Gray code and offset binary. The data format can be controlled through the SPI port, by writing to address 0x73. Details on this are contained in “Serial Peripheral Interface” on page 25.

Offset binary coding maps the most negative input voltage to code 0x000 (all zeros) and the most positive input to 0xFFFF (all ones). Two’s complement coding simply complements the MSB of the offset binary representation.

When calculating Gray code the MSB is unchanged. The remaining bits are computed as the XOR of the current bit position and the next most significant bit. Figure 33 shows this operation.

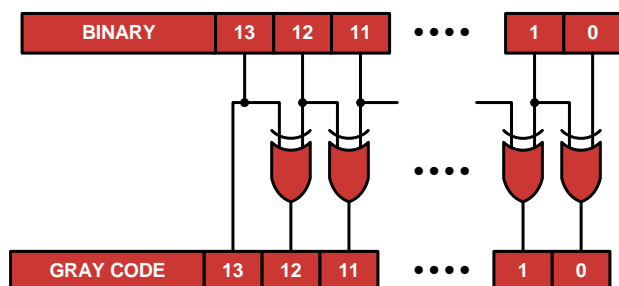


FIGURE 33. BINARY TO GRAY CODE CONVERSION

Converting back to offset binary from Gray code must be done recursively, using the result of each bit for the next lower bit as shown in Figure 34.

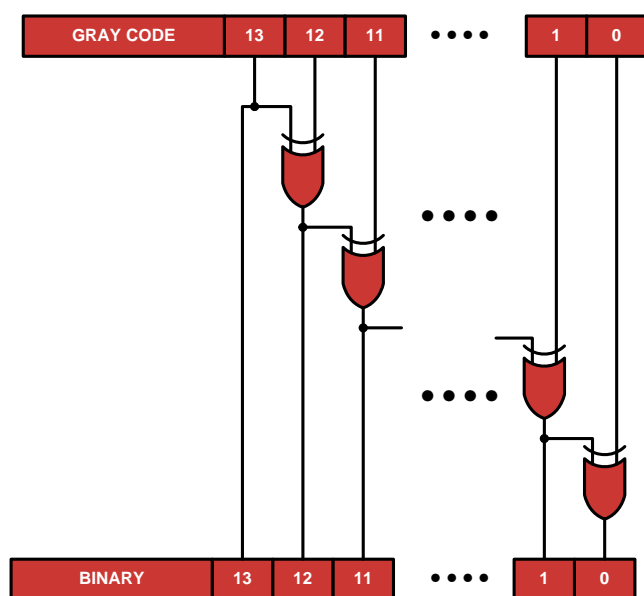


FIGURE 34. GRAY CODE TO BINARY CONVERSION

Mapping of the input voltage to the various data formats is shown in Table 3.

TABLE 3. INPUT VOLTAGE TO OUTPUT CODE MAPPING

| INPUT VOLTAGE | OFFSET BINARY | TWO'S COMPLEMENT | GRAY CODE |
|--------------------|-------------------|-------------------|-------------------|
| -Full Scale | 00 0000 0000 0000 | 10 0000 0000 0000 | 00 0000 0000 0000 |
| -Full Scale + 1LSB | 00 0000 0000 0001 | 10 0000 0000 0001 | 00 0000 0000 0001 |
| Mid-Scale | 10 0000 0000 0000 | 00 0000 0000 0000 | 11 0000 0000 0000 |
| +Full Scale - 1LSB | 11 1111 1111 1110 | 01 1111 1111 1110 | 10 0000 0000 0001 |
| +Full Scale | 11 1111 1111 1111 | 01 1111 1111 1111 | 10 0000 0000 0000 |

Clock Divider Synchronous Reset

An output clock (CLKOUTP, CLKOUTN) is provided to facilitate latching of the sampled data. The output clock frequency is equal to the input clock frequency divided by the internal clock divider setting. (See clock input description).

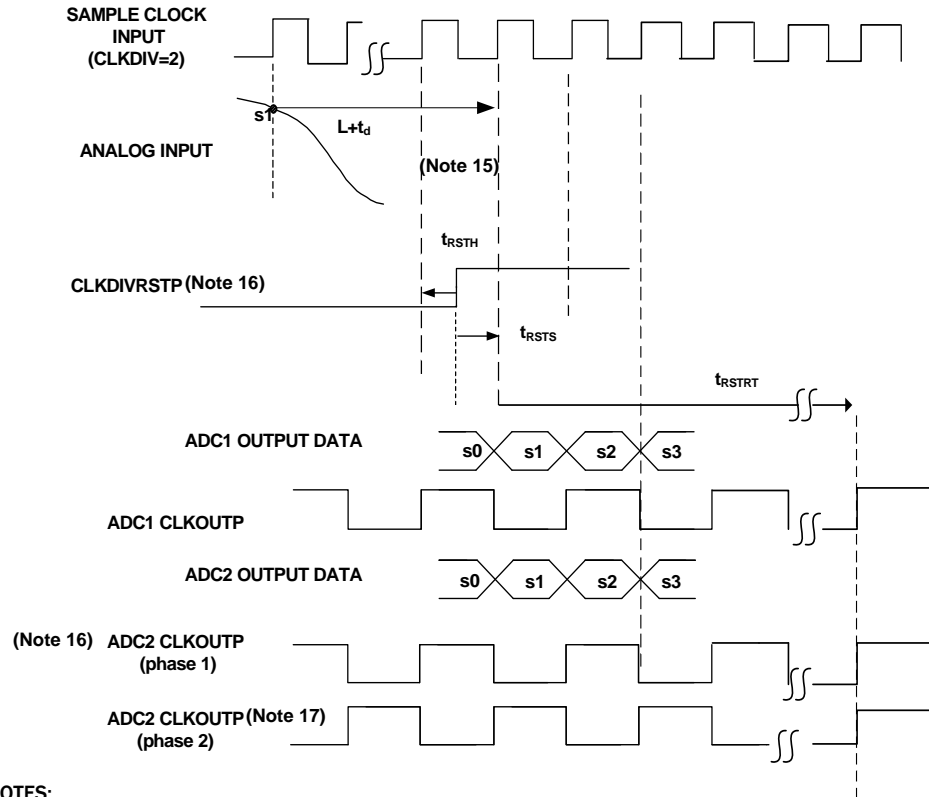
For clock divide settings > ‘1’, the absolute phase of the output clocks for multiple A/Ds is indeterminate - there will be a phase ambiguity between the output clocks of ADCs in a multiple ADC system. The CLKDIVRST feature allows the phase of multiple A/Ds to be synchronized (see Figure35) when the internal clock divider is used, greatly simplifying data capture in systems employing multiple A/Ds. For clock divide setting=‘1’, there is no phase ambiguity between clock outputs in a multiple ADC system and CLKDIVRST can be left as a DNC (do not connect)

The CLKDIVRST signal must be well-timed with respect to the sample clock (See “Switching Specifications” on page 13). Figure 35 shows assertion of CLKDIVRSTP by a positive edge (CLKDIVRSTN must be driven but is not shown); CLKDIVRSTP can remain high indefinitely after a synchronization event. CLKDIVRSTP can also be a pulse if needed, with CLKDIVRSTP returning to a logic ‘0’ after assertion; in this case the CLKDIVRST pulse width should be a minimum of 3 input sample clock periods. In applications where multiple CLKDIVRST pulse events are required a user should wait a minimum of 30 clock cycles before starting a second CLKDIVRST pulse event.

It will take a maximum of 30 input clock cycles to attain synchronization (t_{RSTRT}) in applications where the input clock is not interrupted; if the input clock is interrupted CLKOUT will be static or indeterminate until synchronization is attained.

In some applications, interrupting the input sample clock briefly (~ 150 cycles max) can simplify the timing requirements for synchronization using CLKDIVRST, in this case the total CLKDIVRST recovery time will increase by the number of input clock cycles the sample clock is held static. Valid data is available (after recovery) in all cases after the normal pipeline latency. Assertion of CLKDIVRST resets

Intersil Application Note 1604 describes the synchronization of multiple ISLA1xxP50s. This document discusses the topic of synchronization in more detail and can be used to better understand the ISLA2XXPxx ADCs’ operation.



NOTES:

- 15. Delay equals fixed pipeline latency (L cycles) plus fixed analog propagation delay t_d .
- 16. CLKDIVRSTP setup and hold times are with respect to input sample clock rising edge. CLKDIVRSTN is not shown, but must be driven, and is the compliment of CLKDIVRSTP.
- 17. Either Output Clock Phase (phase 1 or phase 2) equally likely prior to synchronization.

FIGURE 35. SYNCHRONOUS RESET OPERATION

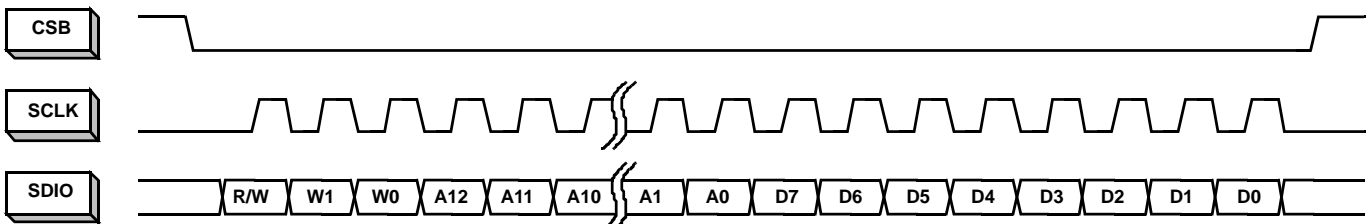


FIGURE 36. MSB-FIRST ADDRESSING

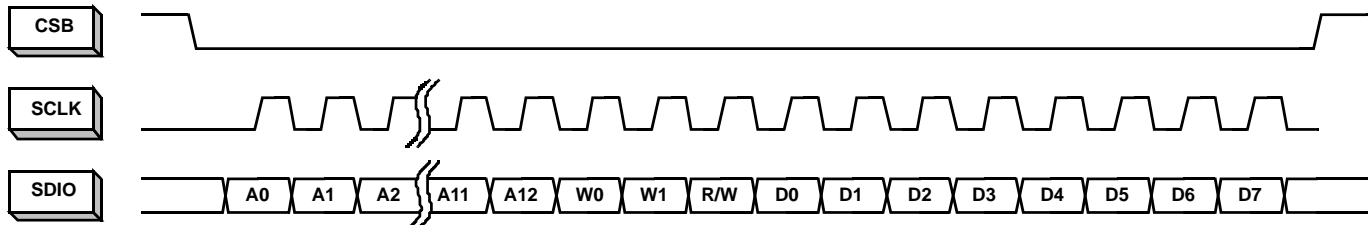


FIGURE 37. LSB-FIRST ADDRESSING

ISLA214P12

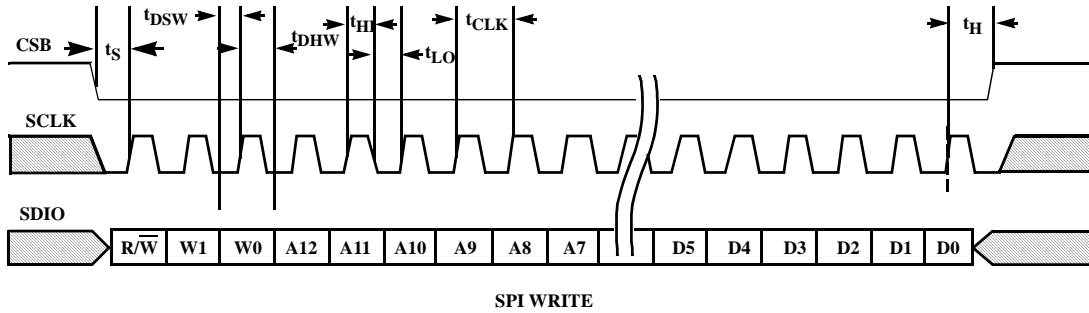


FIGURE 38. SPI WRITE

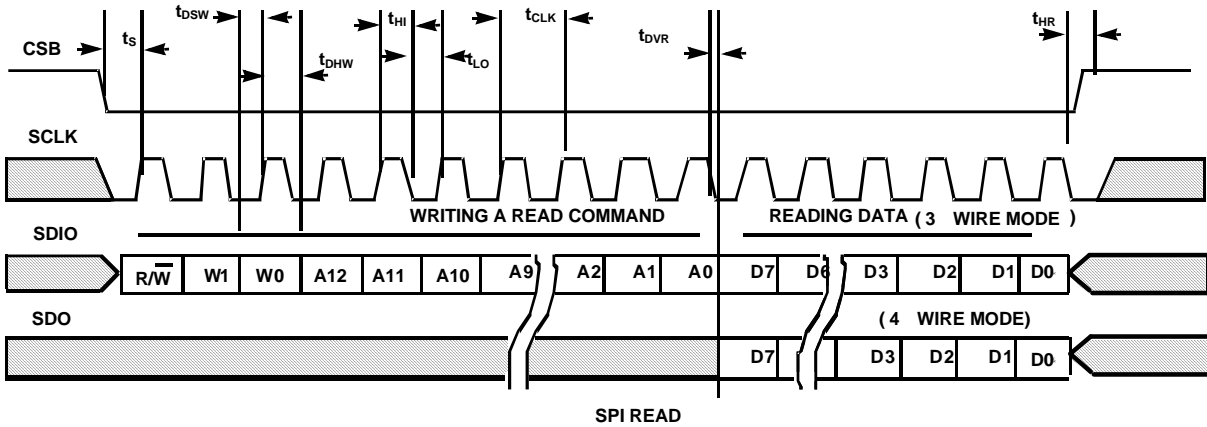
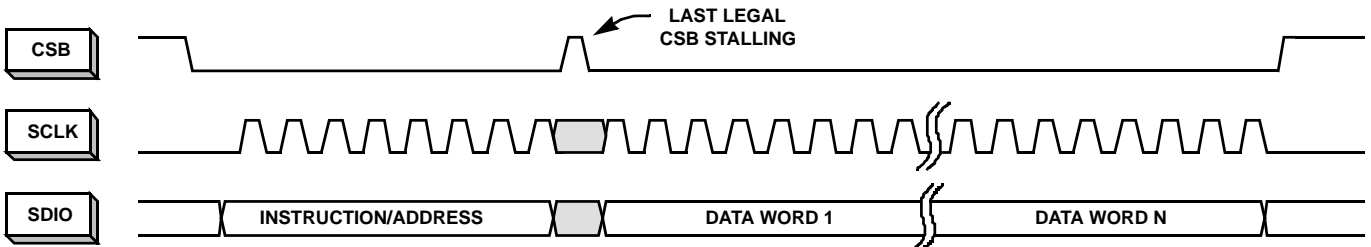
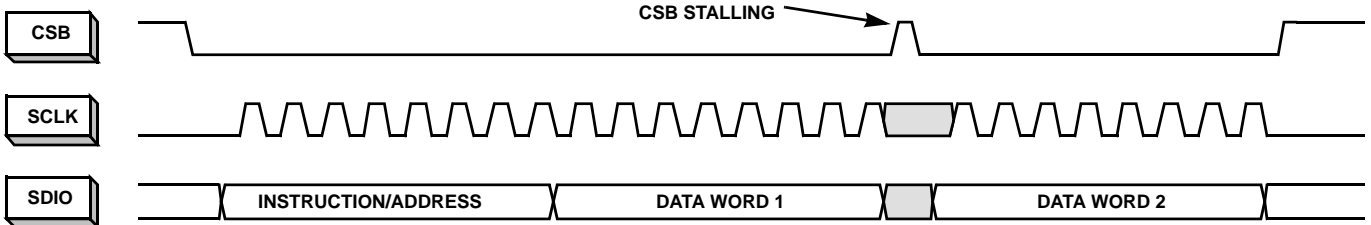


FIGURE 39. SPI READ



Serial Peripheral Interface

A serial peripheral interface (SPI) bus is used to facilitate configuration of the device and to optimize performance. The SPI bus consists of chip select (CSB), serial clock (SCLK) serial data output (SDO), and serial data input/output (SDIO). The maximum SCLK rate is equal to the A/D sample rate (f_{SAMPLE}) divided by 16 for both write operations and read operations. At $f_{\text{SAMPLE}} = 125\text{MHz}$, maximum SCLK is 7.8125MHz for writing and read operations. There is no minimum SCLK rate.

The following sections describe various registers that are used to configure the SPI or adjust performance or functional parameters. Many registers in the available address space (0x00 to 0xFF) are not defined in this document. Additionally, within a defined register there may be certain bits or bit combinations that are reserved. Undefined registers and undefined values within defined registers are reserved and should not be selected. Setting any reserved register or value may produce indeterminate results.

SPI Physical Interface

The serial clock pin (SCLK) provides synchronization for the data transfer. By default, all data is presented on the serial data input/output (SDIO) pin in three-wire mode. The state of the SDIO pin is set automatically in the communication protocol (described in the following). A dedicated serial data output pin (SDO) can be activated by setting 0x00[7] high to allow operation in four-wire mode.

The SPI port operates in a half duplex master/slave configuration, with the ISLA214P12 functioning as a slave. Multiple slave devices can interface to a single master in three-wire mode only, since the SDO output of an unaddressed device is asserted in four wire mode.

The chip-select bar (CSB) pin determines when a slave device is being addressed. Multiple slave devices can be written to concurrently, but only one slave device can be read from at a given time (again, only in three-wire mode). If multiple slave devices are selected for reading at the same time, the results will be indeterminate.

The communication protocol begins with an instruction/address phase. The first rising SCLK edge following a high-to-low transition on CSB determines the beginning of the two-byte instruction/address command; SCLK must be static low before the CSB transition. Data can be presented in MSB-first order or LSB-first order. The default is MSB-first, but this can be changed by setting 0x00[6] high. Figures 36 and 37 show the appropriate bit ordering for the MSB-first and LSB-first modes, respectively. In MSB-first mode, the address is incremented for multi-byte transfers, while in LSB-first mode it's decremented.

In the default mode, the MSB is R/W, which determines if the data is to be read (active high) or written. The next two bits, W1 and W0, determine the number of data bytes to be read or written (see Table 4). The lower 13 bits contain the first address for the data transfer. This relationship is illustrated in Figure 38, and timing values are given in "Switching Specifications" on page 13.

After the instruction/address bytes have been read, the appropriate number of data bytes are written to or read from the

A/D (based on the R/W bit status). The data transfer will continue as long as CSB remains low and SCLK is active. Stalling of the CSB pin is allowed at any byte boundary (instruction/address or data) if the number of bytes being transferred is three or less. For transfers of four bytes or more, CSB is allowed to stall in the middle of the instruction/address bytes or before the first data byte. If CSB transitions to a high state after that point the state machine will reset and terminate the data transfer.

TABLE 4. BYTE TRANSFER SELECTION

| [W1:W0] | BYTES TRANSFERRED |
|---------|-------------------|
| 00 | 1 |
| 01 | 2 |
| 10 | 3 |
| 11 | 4 or more |

Figures 40 and 41 on page 24 illustrate the timing relationships for 2-byte and N-byte transfers, respectively. The operation for a 3-byte transfer can be inferred from these diagrams.

SPI Configuration

ADDRESS 0X00: CHIP_PORT_CONFIG

Bit ordering and SPI reset are controlled by this register. Bit order can be selected as MSB to LSB (MSB first) or LSB to MSB (LSB first) to accommodate various micro controllers.

Bit 7 SDO Active

Bit 6 LSB First

Setting this bit high configures the SPI to interpret serial data as arriving in LSB to MSB order.

Bit 5 Soft Reset

Setting this bit high resets all SPI registers to default values.

Bit 4 Reserved

This bit should always be set high.

Bits 3:0 These bits should always mirror bits 4:7 to avoid ambiguity in bit ordering.

ADDRESS 0X02: BURST_END

If a series of sequential registers are to be set, burst mode can improve throughput by eliminating redundant addressing. The burst is ended by pulling the CSB pin high. Setting the burst_end address determines the end of the transfer; during a write operation, the user must be cautious to transmit the correct number of bytes based on the starting and ending addresses.

Bits 7:0 Burst End Address

This register value determines the ending address of the burst data.

Device Information

ADDRESS 0X08: CHIP_ID

ADDRESS 0X09: CHIP_VERSION

The generic die identifier and a revision number, respectively, can be read from these two registers.

Device Configuration/Control

A common SPI map, which can accommodate single-channel or multi-channel devices, is used for all Intersil A/D products. Single core ADCs use ADC0, while multiple-core devices use both ADC0 and ADC1.

ADDRESS 0X20: OFFSET_COARSE_ADC0

ADDRESS 0X21: OFFSET_FINE_ADC0

The input offset of the A/D core can be adjusted in fine and coarse steps. Both adjustments are made via an 8-bit word as detailed in Table 5. The data format is twos complement. Bit 0 in register 0xFE must be set high to enable updates written to 0x20 and 0x21 to be used by the ADC. (See description for 0xFE)

The default value of each register will be the result of the self-calibration after initial power-up. If a register is to be incremented or decremented, the user should first read the register value then write the incremented or decremented value back to the same register.

TABLE 5. OFFSET ADJUSTMENTS

| PARAMETER | 0x20[7:0] COARSE OFFSET | 0x21[7:0] FINE OFFSET |
|--------------------|----------------------------|--------------------------|
| Steps | 255 | 255 |
| -Full Scale (0x00) | -133LSB (-47mV) | -5LSB (-1.75mV) |
| Mid-Scale (0x80) | 0.0LSB (0.0mV) | 0.0LSB |
| +Full Scale (0xFF) | +133LSB (+47mV) | +5LSB (+1.75mV) |
| Nominal Step Size | 1.04LSB (0.37mV) | 0.04LSB (0.014mV) |

ADDRESS 0X22: GAIN_COARSE_ADC0

ADDRESS 0X23: GAIN_MEDIUM_ADC0

ADDRESS 0X24: GAIN_FINE_ADC0

Gain of the A/D core can be adjusted in coarse, medium and fine steps. Coarse gain is a 4-bit adjustment while medium and fine are 8-bit. Multiple Coarse Gain Bits can be set for a total adjustment range of $\pm 4.2\%$. ('0011' $\cong -4.2\%$ and '1100' $\cong +4.2\%$) It is recommended to use one of the coarse gain settings (-4.2%, -2.8%, -1.4%, 0, 1.4%, 2.8%, 4.2%) and fine-tune the gain using the registers at 0x0023 and 0x24.

The default value of each register will be the result of the self-calibration after initial power-up. If a register is to be incremented or decremented, the user should first read the register value then write the incremented or decremented value back to the same register. Bit 0 in register 0xFE must be set high to enable updates written to 0x23 and 0x24 to be used by the ADC. (See description for 0xFE)

TABLE 6. COARSE GAIN ADJUSTMENT

| 0x22[3:0] core 0 | NOMINAL COARSE GAIN ADJUST (%) |
|------------------|--------------------------------|
| Bit3 | +2.8 |
| Bit2 | +1.4 |
| Bit1 | -2.8 |
| Bit0 | -1.4 |

TABLE 7. MEDIUM AND FINE GAIN ADJUSTMENTS

| PARAMETER | 0x23[7:0] MEDIUM GAIN | 0x24[7:0] FINE GAIN |
|--------------------|--------------------------|------------------------|
| Steps | 256 | 256 |
| -Full Scale (0x00) | -2% | -0.20% |
| Mid-Scale (0x80) | 0.00% | 0.00% |
| +Full Scale (0xFF) | +2% | +0.2% |
| Nominal Step Size | 0.016% | 0.0016% |

ADDRESS 0X25: MODES

Two distinct reduced power modes can be selected. By default, the tri-level NAPSLP pin can select normal operation, nap or sleep modes (refer to "Nap/Sleep" on page 21). This functionality can be overridden and controlled through the SPI. This is an indexed function when controlled from the SPI, but a global function when driven from the pin. This register is not changed by a Soft Reset.

TABLE 8. POWER-DOWN CONTROL

| VALUE | 0x25[2:0] POWER DOWN MODE |
|-------|------------------------------|
| 000 | Pin Control |
| 001 | Normal Operation |
| 010 | Nap Mode |
| 100 | Sleep Mode |

Global Device Configuration/Control

ADDRESS 0X71: PHASE_SLIP

The output data clock is generated by dividing down the A/D input sample clock. Some systems with multiple A/Ds can more easily latch the data from each A/D by controlling the phase of the output data clock. This control is accomplished through the use of the phase_slip SPI feature, which allows the rising edge of the output data clock to be advanced by one input clock period, as shown in the Figure 42. Execution of a phase_slip command is accomplished by first writing a

'0' to bit 0 at address 0x71, followed by writing a '1' to bit 0 at address 0x71.

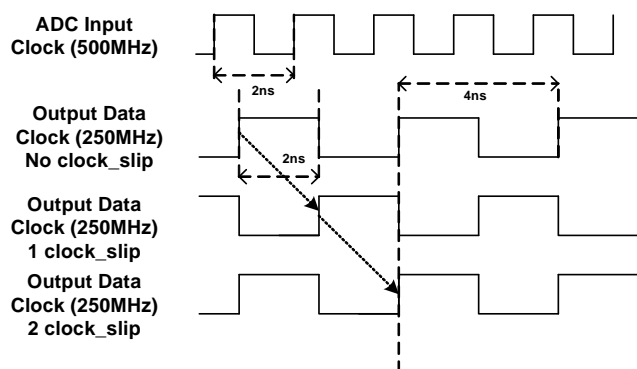


FIGURE 42. PHASE SLIP

ADDRESS 0X72: CLOCK_DIVIDE

The ISLA214P12 has a selectable clock divider that can be set to divide by four, two or one (no division). By default, the tri-level CLKDIV pin selects the divisor. This functionality can be overridden and controlled through the SPI, as shown in Table 9. This register is not changed by a Soft Reset.

TABLE 9. CLOCK DIVIDER SELECTION

| VALUE | 0x72[2:0] CLOCK DIVIDER |
|-------|-------------------------|
| 000 | Pin Control |
| 001 | Divide by 1 |
| 010 | Divide by 2 |
| 100 | Divide by 4 |
| other | Not Allowed |

ADDRESS 0X73: OUTPUT_MODE_A

The output_mode_A register controls the physical output format of the data, as well as the logical coding. The ISLA214P12 can present output data in two physical formats: LVDS (default) or LVCMOS. Additionally, the drive strength in LVDS mode can be set high (default, 3mA) or low (2mA).

Data can be coded in three possible formats: two's complement (default), Gray code or offset binary. See Table 11.

This register is not changed by a Soft Reset.

TABLE 10. OUTPUT MODE CONTROL

| VALUE | 0x73[7:5] OUTPUT MODE |
|-------|-----------------------|
| 000 | LVDS 3mA (Default) |
| 001 | LVDS 2mA |
| 100 | LVCMOS |

TABLE 11. OUTPUT FORMAT CONTROL

| VALUE | 0x73[2:0] OUTPUT FORMAT |
|-------|----------------------------|
| 000 | Two's Complement (Default) |

TABLE 11. OUTPUT FORMAT CONTROL

| VALUE | 0x73[2:0] OUTPUT FORMAT |
|-------|-------------------------|
| 010 | Gray Code |
| 100 | Offset Binary |

ADDRESS 0X74: OUTPUT_MODE_B

Bit 6 DLL Range

This bit sets the DLL operating range to fast (default) or slow.

Internal clock signals are generated by a delay-locked loop (DLL), which has a finite operating range. Table 12 shows the allowable sample rate ranges for the slow and fast settings.

Bit 4 DDR Enable

Set to a '1' to enable DDR.

TABLE 12. DLL RANGES

| DLL RANGE | MIN | MAX | UNIT |
|-----------|-----|-----|------|
| Slow | 40 | 100 | MSPS |
| Fast | 80 | 125 | MSPS |

ADDRESS 0XB6: CALIBRATION STATUS

The LSB at address 0xB6 can be read to determine calibration status. The bit is '0' during calibration and goes to a logic '1' when calibration is complete. This register is unique in that it can be read after POR at calibration, unlike the other registers on chip, which can't be read until calibration is complete.

DEVICE TEST

The ISLA214P12 can produce preset or user defined patterns on the digital outputs to facilitate in-situ testing. A user can pick from preset built-in patterns by writing to the output test mode field [7:4] at 0xC0 or user defined patterns by writing to the user test mode field [2:0] at 0xC0. The user defined patterns should be loaded at address space 0xC1 through 0xD0, see the "SPI Memory Map" on page 29 for more detail. The predefined patterns are shown in Table 13. The test mode is enabled asynchronously to the sample clock, therefore several sample clock cycles may elapse before the data is present on the output bus.

ADDRESS 0XC0: TEST_IO

Bits 7:4 Output Test Mode

These bits set the test mode according to Table 13. Other values are reserved. User test patterns loaded at 0xC1 through 0xD0 are also available by writing '1000' to [7:4] at 0xC0 and a pattern depth value to [2:0] at 0xC0. See the memory map.

Bits 2:0 User Test Mode

The three LSBs in this register determine the test pattern in combination with registers 0xC1 through 0xD0. Refer to the SPI Memory Map on page 29.

TABLE 13. OUTPUT TEST MODES

| VALUE | 0xC0[7:4] OUTPUT TEST MODE | WORD 1 | WORD 2 |
|-------|-------------------------------|------------|------------|
| 0000 | Off | | |
| 0001 | Midscale | 0x8000 | N/A |
| 0010 | Positive Full-Scale | 0xFFFF | N/A |
| 0011 | Negative Full-Scale | 0x0000 | N/A |
| 0100 | SDR/DDR Dependent | N/A | N/A |
| 0101 | Reserved | N/A | N/A |
| 0110 | Reserved | N/A | N/A |
| 0111 | SDR/DDR Dependent | N/A | N/A |
| 1000 | User Pattern | user_patt1 | user_patt2 |
| 1001 | Reserved | N/A | N/A |
| 1010 | Ramp | N/A | N/A |

ADDRESS 0XC1: USER_PATT1_LSB

ADDRESS 0XC2: USER_PATT1_MSB

These registers define the lower and upper eight bits, respectively, of the user-defined pattern 1.

ADDRESS 0XC3: USER_PATT2_LSB

ADDRESS 0XC4: USER_PATT2_MSB

These registers define the lower and upper eight bits, respectively, of the user-defined pattern 2

ADDRESS 0XC5: USER_PATT3_LSB

ADDRESS 0XC6: USER_PATT3_MSB

These registers define the lower and upper eight bits, respectively, of the user-defined pattern 3

ADDRESS 0XC7: USER_PATT4_LSB

ADDRESS 0XC8: USER_PATT4_MSB

These registers define the lower and upper eight bits, respectively, of the user-defined pattern 4.

ADDRESS 0XC9: USER_PATT5_LSB

ADDRESS 0XCA: USER_PATT5_MSB

These registers define the lower and upper eight bits, respectively, of the user-defined pattern 5.

ADDRESS 0XCB: USER_PATT6_LSB

ADDRESS 0XCC: USER_PATT6_MSB

These registers define the lower and upper eight bits, respectively, of the user-defined pattern 6.

ADDRESS 0XCD: USER_PATT7_LSB

ADDRESS 0XCE: USER_PATT7_MSB

These registers define the lower and upper eight bits, respectively, of the user-defined pattern 7.

ADDRESS 0XCF: USER_PATT8_LSB

ADDRESS 0XD0: USER_PATT8_MSB

These registers define the lower and upper eight bits, respectively, of the user-defined pattern 8.

ADDRESS 0XFE: OFFSET/GAIN_ADJUST_ENABLE

Bit 0 at this register must be set high to enable adjustment of offset coarse and fine adjustments (0x20 and 0x21) and gain medium and gain fine adjustments(0x23 and 0x24). It is recommended that new data be written to the offset and gain adjustment registers (0x20, 0x21, 0x23, 0x24) while Bit 0 is a '0'. Subsequently, Bit 0 should be set to '1' to allow the values written to the aforementioned registers to be used by the ADC. Bit 0 should be set to a '0' upon completion.

SPI Memory Map

| | ADDR. (Hex) | PARAMETER NAME | BIT 7 (MSB) | BIT 6 | BIT 5 | BIT 4 | BIT 3 | BIT 2 | BIT 1 | BIT 0 (LSB) | DEF. VALUE (HEX) |
|-----------------------|----------------|--------------------|---|--|------------|-------------|---------------|--|---------------|-----------------|---------------------|
| SPI Config/Control | 00 | Port_config | SDO Active | LSB First | Soft Reset | | | Mirror (bit5) | Mirror (bit6) | Mirror (bit7) | 00h |
| | 01 | Reserved | Reserved | | | | | | | | |
| | 02 | Burst_end | Burst end address [7:0] | | | | | | | | |
| | 03-07 | Reserved | Reserved | | | | | | | | |
| DUT Info | 08 | Chip_id | Chip ID # | | | | | | | | |
| | 09 | Chip_version | Chip Version # | | | | | | | | |
| | 0A-0F | Reserved | Reserved | | | | | | | | |
| Device Config/Control | 10-1F | Reserved | Reserved | | | | | | | | |
| | 20 | Offset_coarse_adc0 | Coarse Offset | | | | | | | | |
| | 21 | Offset_fine_adc0 | Fine Offset | | | | | | | | |
| | 22 | Gain_coarse_adc0 | Reserved | | | Coarse Gain | | | | | |
| | 23 | Gain_medium_adc0 | Medium Gain | | | | | | | | |
| | 24 | Gain_fine_adc0 | Fine Gain | | | | | | | | |
| | 25 | Modes_adc0 | Reserved | | | | | Power Down Mode ADC0 [2:0] 000 = Pin Control 001 = Normal Operation 010 = Nap 100 = Sleep Other codes = Reserved | | | |
| | 26 | Offset_coarse_adc1 | Coarse Offset | | | | | | | | |
| | 27 | Offset_fine_adc1 | Fine Offset | | | | | | | | |
| | 28 | Gain_coarse_adc1 | Reserved | | | Coarse Gain | | | | | |
| | 29 | Gain_medium_adc1 | Medium Gain | | | | | | | | |
| | 2A | Gain_fine_adc1 | Fine Gain | | | | | | | | |
| | 2B | Modes_adc1 | Reserved | | | | | Power Down Mode ADC1 [2:0] 000 = Pin Control 001 = Normal Operation 010 = Nap 100 = Sleep Other codes = Reserved | | | |
| | 2C-2F | Reserved | Reserved | | | | | | | | |
| | 33-4A | Reserved | Reserved | | | | | | | | |
| | 4B | Reserved | | | | | | | Reserved | | Read only |
| | 4C | Reserved | Reserved | | | | | | | | |
| | 4D | Reserved | | Enable | PD | Reset | Divider [2:0] | | | Select | 00h |
| | 4E-6F | Reserved | Reserved | | | | | | | | |
| | 70 | Skew_diff | Differential Skew | | | | | | | | |
| 71 | Phase_slip | Reserved | | | | | | | | Next Clock Edge | 00h |
| 72 | Clock_divide | | | | | | | Clock Divide [2:0] 000 = Pin Control 001 = divide by 1 010 = divide by 2 100 = divide by 4 Other codes = Reserved | | | |
| Device Config/Control | 73 | Output_mode_A | Output Mode [7:5] 000 = LVDS 3mA (Default) 001 = LVDS 2mA 100 = LVCMOS Other codes = Reserved | | | | | Output Format [2:0] 000 = Two's Complement (Default) 010 = Gray Code 100 = Offset Binary Other codes = Reserved | | | |
| | 74 | Output_mode_B | | DLL Range 0 = Fast 1 = Slow Default='0' | | DDR Enable | | | | | |
| | 75-B5 | Reserved | Reserved | | | | | | | | |

ISLA214P12

SPI Memory Map (Continued)

| ADDR. (Hex) | PARAMETER NAME | BIT 7 (MSB) | BIT 6 | BIT 5 | BIT 4 | BIT 3 | BIT 2 | BIT 1 | BIT 0 (LSB) | DEF. VALUE (HEX) | |
|-------------|----------------|---|----------|-------|-------|--|-------|-------|------------------|------------------------|------|
| B6 | Cal_status | | | | | | | | Calibration Done | Read Only | |
| B7-BF | Reserved | | | | | | | | | | |
| Device Test | C0 | Output Test Mode [7:4] | | | | User Test Mode [2:0] | | | | 00h | |
| | | Part in SDR Mode 0 = Off (Note 15) 1 = Midscale Short 2 = +FS Short 3 = -FS Short 4 = Checkerboard Output (0xAAAA, 0x5555) (Note16) 7 = 0xFFFF, 0x0000 all on pattern (Note17) 8 = User Pattern (1 to 8 deep, MSB Justified) 10 = Ramp 5, 6, 9, 11-15 = Reserved Part in DDR Mode 0 = Off (Note 15) 1 = Midscale Short 2 = +FS Short 3 = -FS Short 4 = Reserved (Note16) 7 = Reserved (Note17) 8 = User Pattern (1 to 4 deep, MSB Justified) 10 = Ramp 5, 6, 9, 11-15 = Reserved | | | | Part in SDR Mode 0 = User pattern 1 only 1 = Cycle pattern 1 through 2 2 = Cycle pattern 1 through 3 3 = Cycle pattern 1 through 4 4 = Cycle pattern 1 through 5 5 = Cycle pattern 1 through 6 6 = Cycle pattern 1 through 7 7 = Cycle pattern 1 through 8 Part in DDR Mode 0 = User pattern 1 only 1 = Cycle pattern 1,3 2 = Cycle pattern 1,3,5 3 = Cycle pattern 1,3,5,7 4-7 = NA | | | | | |
| | C1 | User_patt1_lsb | B7 | B6 | B5 | B4 | B3 | B2 | B1 | B0 | 0x00 |
| | C2 | User_patt1_msb | B15 | B14 | B13 | B12 | B11 | B10 | B9 | B8 | 00h |
| | C3 | User_patt2_lsb | B7 | B6 | B5 | B4 | B3 | B2 | B1 | B0 | 00h |
| | C4 | User_patt2_msb | B15 | B14 | B13 | B12 | B11 | B10 | B9 | B8 | 00h |
| | C5 | User_patt3_lsb | B7 | B6 | B5 | B4 | B3 | B2 | B1 | B0 | 00h |
| | C6 | User_patt3_msb | B15 | B14 | B13 | B12 | B11 | B10 | B9 | B8 | 00h |
| | C7 | User_patt4_lsb | B7 | B6 | B5 | B4 | B3 | B2 | B1 | B0 | 00h |
| | C8 | User_patt4_msb | B15 | B14 | B13 | B12 | B11 | B10 | B9 | B8 | 00h |
| | C9 | User_patt5_lsb | B7 | B6 | B5 | B4 | B3 | B2 | B1 | B0 | 00h |
| | CA | User_patt5_msb | B15 | B14 | B13 | B12 | B11 | B10 | B9 | B8 | 00h |
| | CB | User_patt6_lsb | B7 | B6 | B5 | B4 | B3 | B2 | B1 | B0 | 00h |
| | CC | User_patt6_msb | B15 | B14 | B13 | B12 | B11 | B10 | B9 | B8 | 00h |
| | CD | User_patt7_lsb | B7 | B6 | B5 | B4 | B3 | B2 | B1 | B0 | 00h |
| | CE | User_patt7_msb | B15 | B14 | B13 | B12 | B11 | B10 | B9 | B8 | 00h |
| | CF | User_patt8_lsb | B7 | B6 | B5 | B4 | B3 | B2 | B1 | B0 | 00h |
| | D0 | User_patt8_msb | B15 | B14 | B13 | B12 | B11 | B10 | B9 | B8 | 00h |
| | D1-FD | Reserved | Reserved | | | | | | | | |
| | FE | Offset/Gain_Adjust_Enable | Reserved | | | | | | | Enable '1' = Enable | 00h |
| FF | Reserved | Reserved | | | | | | | | | |

NOTES:

15. During Calibration xCCCC (MSB justified) is presented at the output data bus, toggling on the LSB (and higher) data bits occurs at completion of calibration. This behavior can be used as an option to determine calibration state.
16. Use test_io = 0x80 and User Pattern 1 = 0x9999 for Checkerboard outputs in DDR mode. In SDR mode, write '0x41' to test_io for Checkerboard outputs.
17. Use test_io = 0x80 and User Pattern 1 = 0xAAAA for all ones/zeros outputs in DDR mode. In SDR mode, write '0x71' to test_io for all ones/zeros outputs

Equivalent Circuits

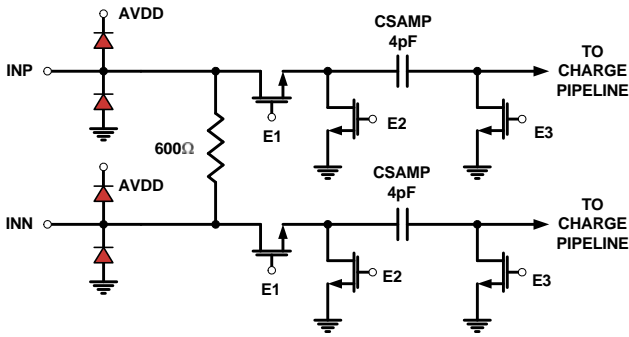


FIGURE 43. ANALOG INPUTS

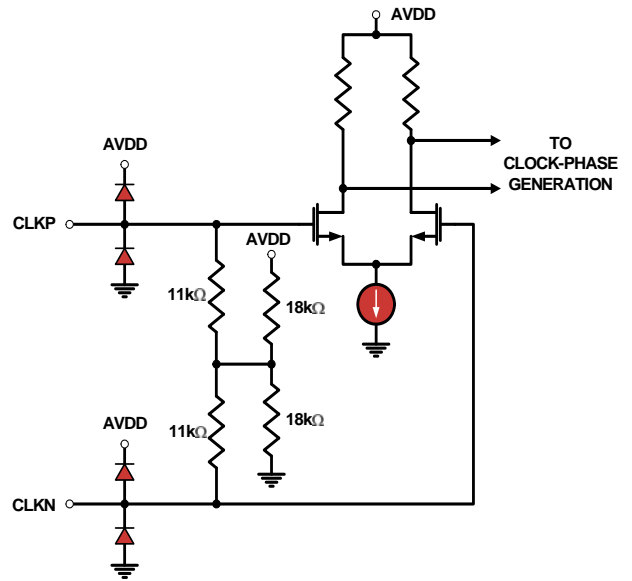


FIGURE 44. CLOCK INPUTS

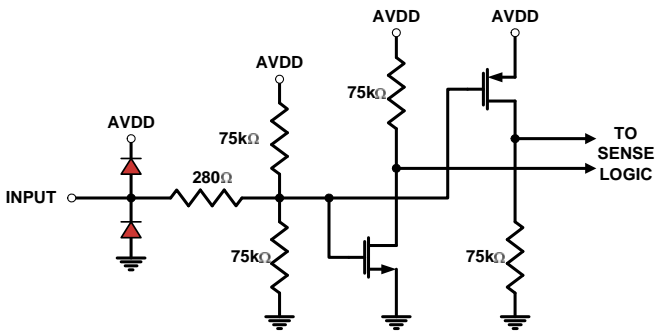


FIGURE 45. TRI-LEVEL DIGITAL INPUTS

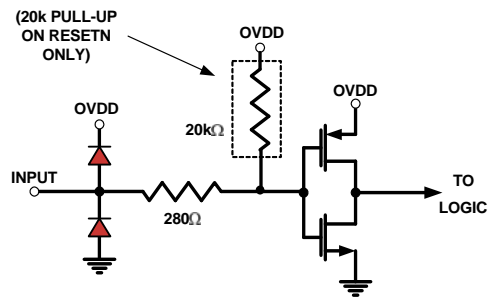


FIGURE 46. DIGITAL INPUTS

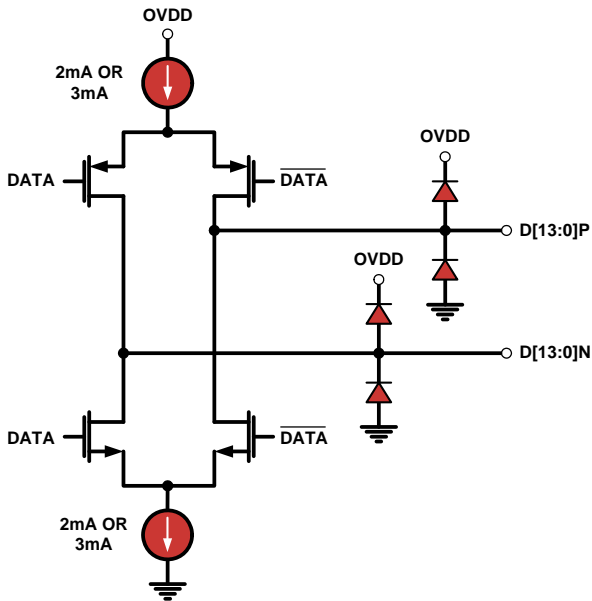


FIGURE 47. LVDS OUTPUTS

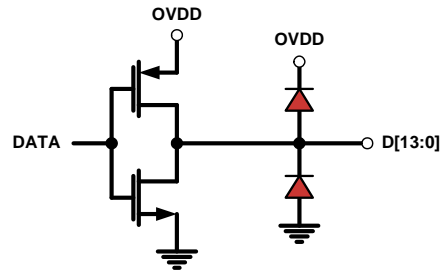


FIGURE 48. CMOS OUTPUTS

Equivalent Circuits (Continued)

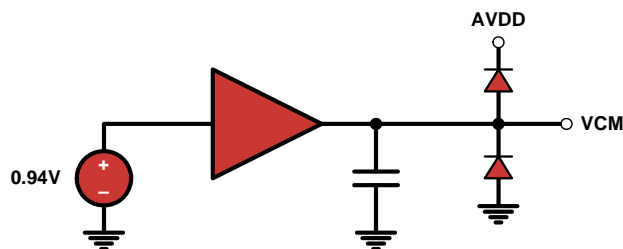


FIGURE 49. VCM_OUT OUTPUT

A/D Evaluation Platform

Intersil offers an A/D Evaluation platform which can be used to evaluate any of Intersil's high speed A/D products. The platform consists of a FPGA based data capture motherboard and a family of A/D daughtercards. This USB based platform allows a user to quickly evaluate the A/D's performance at a user's specific application frequency requirements. More information is available at

http://www.intersil.com/converters/adc_eval_platform/

Layout Considerations

Split Ground and Power Planes

Data converters operating at high sampling frequencies require extra care in PC board layout. Many complex board designs benefit from isolating the analog and digital sections. Analog supply and ground planes should be laid out under signal and clock inputs. Locate the digital planes under outputs and logic pins. Grounds should be joined under the chip.

Clock Input Considerations

Use matched transmission lines to the transformer inputs for the analog input and clock signals. Locate transformers and terminations as close to the chip as possible.

Exposed Paddle

The exposed paddle must be electrically connected to analog ground (AVSS) and should be connected to a large copper plane using numerous vias for optimal thermal performance.

Bypass and Filtering

Bulk capacitors should have low equivalent series resistance. Tantalum is a good choice. For best performance, keep ceramic bypass capacitors very close to device pins. Longer traces will increase inductance, resulting in diminished dynamic performance and accuracy. Make sure that connections to ground are direct and low impedance. Avoid forming ground loops.

LVDS Outputs

Output traces and connections must be designed for 50Ω (100Ω differential) characteristic impedance. Keep traces direct and minimize bends where possible. Avoid crossing ground and power-plane breaks with signal traces.

LVCMOS Outputs

Output traces and connections must be designed for 50Ω characteristic impedance.

Unused Inputs

Standard logic inputs (RESETN, CSB, SCLK, SDIO, SDO) which will not be operated do not require connection to ensure optimal A/D performance. These inputs can be left floating if they are not used. Tri-level inputs (NAPSLP) accept a floating input as a valid state, and therefore should be biased according to the desired functionality.

Definitions

Analog Input Bandwidth is the analog input frequency at which the spectral output power at the fundamental frequency (as determined by FFT analysis) is reduced by 3dB from its full-scale low-frequency value. This is also referred to as Full Power Bandwidth.

Aperture Delay or Sampling Delay is the time required after the rise of the clock input for the sampling switch to open, at which time the signal is held for conversion.

Aperture Jitter is the RMS variation in aperture delay for a set of samples.

Clock Duty Cycle is the ratio of the time the clock wave is at logic high to the total time of one clock period.

Differential Non-Linearity (DNL) is the deviation of any code width from an ideal 1 LSB step.

Effective Number of Bits (ENOB) is an alternate method of specifying Signal to Noise-and-Distortion Ratio (SINAD). In dB, it is calculated as: $ENOB = (SINAD - 1.76)/6.02$

Gain Error is the ratio of the difference between the voltages that cause the lowest and highest code transitions to the full-scale voltage less than 2 LSB. It is typically expressed in percent.

I2E The Intersil Interleave Engine. This highly configurable circuitry performs estimates of offset, gain, and sample time skew mismatches between the core converters, and updates analog adjustments for each to minimize interleave spurs.

Integral Non-Linearity (INL) is the maximum deviation of the A/D's transfer function from a best fit line determined by a least squares curve fit of that transfer function, measured in units of LSBs.

ISLA214P12

Least Significant Bit (LSB) is the bit that has the smallest value or weight in a digital word. Its value in terms of input voltage is $V_{FS}/(2^N-1)$ where N is the resolution in bits.

Missing Codes are output codes that are skipped and will never appear at the A/D output. These codes cannot be reached with any input value.

Most Significant Bit (MSB) is the bit that has the largest value or weight.

Pipeline Delay is the number of clock cycles between the initiation of a conversion and the appearance at the output pins of the data.

Power Supply Rejection Ratio (PSRR) is the ratio of the observed magnitude of a spur in the A/D FFT, caused by an AC signal superimposed on the power supply voltage.

Signal to Noise-and-Distortion (SINAD) is the ratio of the RMS signal amplitude to the RMS sum of all other spectral components below one half the clock frequency, including harmonics but excluding DC.

Signal-to-Noise Ratio (without Harmonics) is the ratio of the RMS signal amplitude to the RMS sum of all other spectral components below one-half the sampling frequency, excluding harmonics and DC.

SNR and SINAD are either given in units of dB when the power of the fundamental is used as the reference, or dBFS (dB to full scale) when the converter's full-scale input power is used as the reference.

Spurious-Free-Dynamic Range (SFDR) is the ratio of the RMS signal amplitude to the RMS value of the largest spurious spectral component. The largest spurious spectral component may or may not be a harmonic.

Revision History

The revision history provided is for informational purposes only and is believed to be accurate, but not warranted. Please go to web to make sure you have the latest Rev.

| DATE | REVISION | CHANGE |
|---------------|----------|------------------|
| June 27, 2012 | FN7982.2 | Initial Release. |

Products

Intersil Corporation is a leader in the design and manufacture of high-performance analog semiconductors. The Company's products address some of the industry's fastest growing markets, such as, flat panel displays, cell phones, handheld products, and notebooks. Intersil's product families address power management and analog signal processing functions. Go to www.intersil.com/products for a complete list of Intersil product families.

For a complete listing of Applications, Related Documentation and Related Parts, please see the respective device information page on intersil.com: [ISLA214P12](http://www.intersil.com/ISLA214P12)

To report errors or suggestions for this datasheet, please go to: www.intersil.com/askourstaff

FITs are available from our website at: <http://rel.intersil.com/reports/search.php>

For additional products, see www.intersil.com/product_tree

Intersil products are manufactured, assembled and tested utilizing ISO9000 quality systems as noted in the quality certifications found at www.intersil.com/design/quality

Intersil products are sold by description only. Intersil Corporation reserves the right to make changes in circuit design, software and/or specifications at any time without notice. Accordingly, the reader is cautioned to verify that data sheets are current before placing orders. Information furnished by Intersil is believed to be accurate and reliable. However, no responsibility is assumed by Intersil or its subsidiaries for its use; nor for any infringements of patents or other rights of third parties which may result from its use. No license is granted by implication or otherwise under any patent or patent rights of Intersil or its subsidiaries.

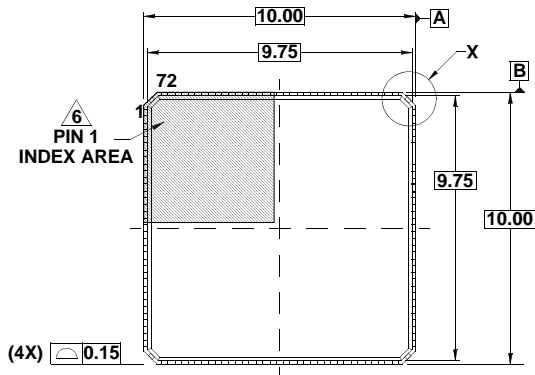
For information regarding Intersil Corporation and its products, see www.intersil.com

Package Outline Drawing

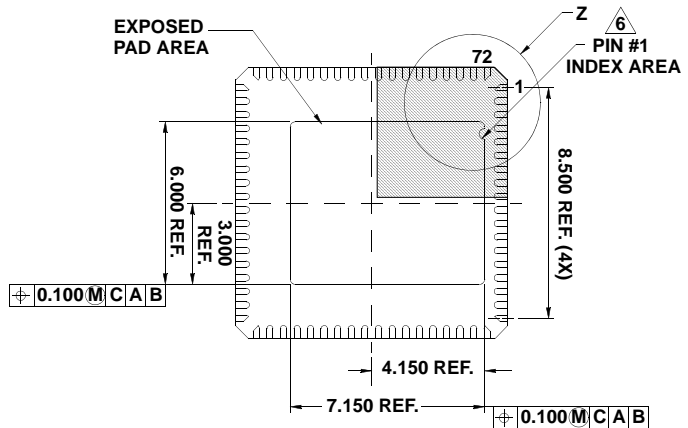
L72.10x10E

72 LEAD QUAD FLAT NO-LEAD PLASTIC PACKAGE

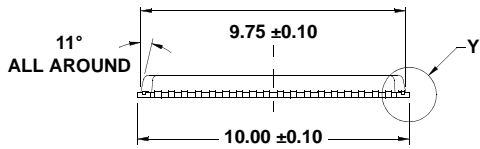
Rev 0, 11/09



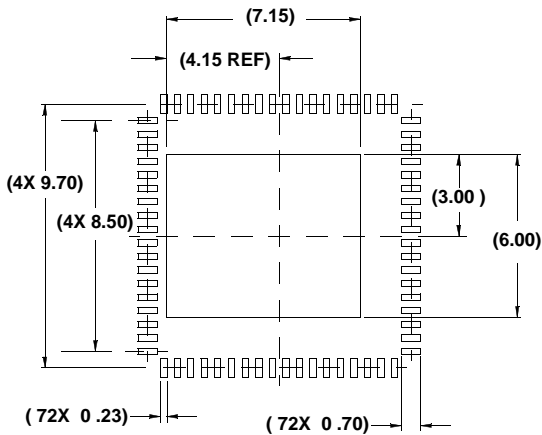
TOP VIEW



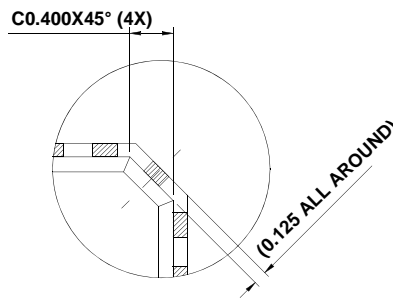
BOTTOM VIEW



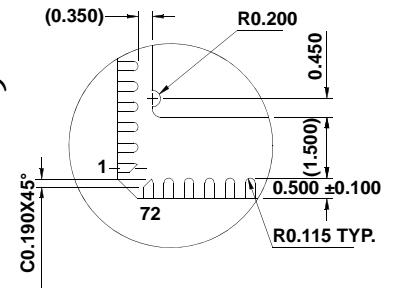
SIDE VIEW



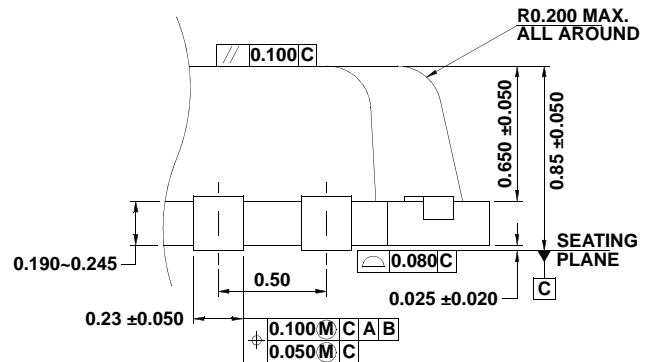
TYPICAL RECOMMENDED LAND PATTERN



DETAIL "X"



DETAIL "Z"



DETAIL "Y"

NOTES:

1. Dimensions are in millimeters.
Dimensions in () for Reference Only.
2. Dimensioning and tolerancing conform to ANSI Y14.5m-1994.
3. Unless otherwise specified, tolerance : Decimal ± 0.10
Angular $\pm 2.50^\circ$
4. Dimension applies to the metallized terminal and is measured between 0.015mm and 0.30mm from the terminal tip.
5. Tiebar shown (if present) is a non-functional feature.
6. The configuration of the pin #1 identifier is optional, but must be located within the zone indicated. The pin #1 identifier may be either a mold or mark feature.
7. Package outline compliant to JESD-M0220.