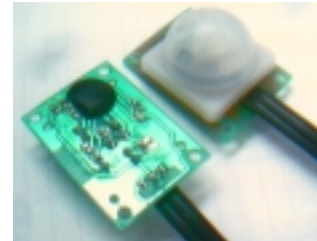


This is a low cost version of the PIR module. It is designed for cost sensitive consumer product. Except the IC package format, all the mechanical and electrical spec is same as KC7783.

Features:

- ❑ IC soft package by dice bonding technique
- ❑ Small size: 25 x 35mm
- ❑ Ball lens is included as standard configuration
- ❑ 3 leads flat cable for easy connection
- ❑ 4 mounting holes on board
- ❑ High Sensitivity
- ❑ High immunity to RFI
- ❑ Power up delay to prevent from false triggering
- ❑ Output High for direct connect to control panel



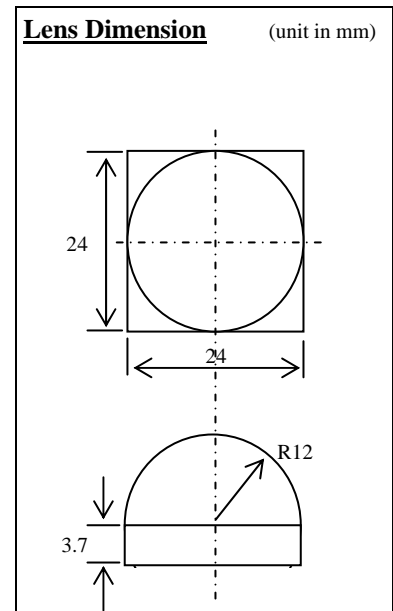
Specification

	Min	Typ	Max	Unit
Operation Voltage	4.7	5	12	V
Standby Current (no load)		300		μA
Output Pulse Width	0.5			Sec
Output High Voltage		5		V
Detection Range		5		M
Operation Temperature	-20	25	50	°C
Humidity Range			95	%

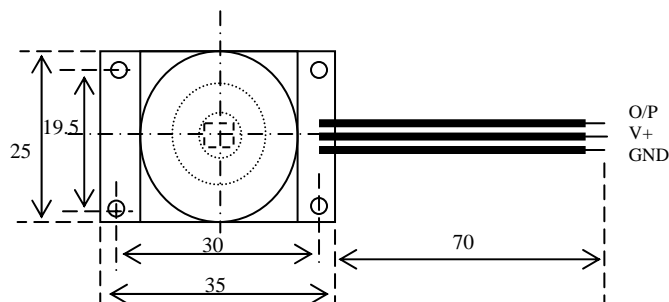
Note: 1. All other features and specification, please refer to KC778B
2. Minimum output pulse width can be customer specified.

Standard Configuration

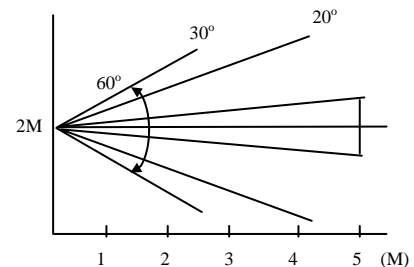
PIR controller	KC778B in dice form
PIR Sensor	RE200B by NICERA
Lens	Ball lens of 60° detection angle
Connector	3 leads flat cable, Power, GND, O/P



Mechanical Dimension



Vertical View Pattern



Application Note:

1. The PIR sensor is sensitive to the temperature change and therefore to prevent from operating the module in rapid environmental temperature changes, strong shock or vibration. Don't expose to the direct sun light or headlights of automobile. Don't expose to direct wind from heater or air conditioner.
2. This module is designed for indoor use. If using in outdoor, make sure to apply suitable supplemental optical filter and drop-proof, anti-dew construction
3. Detection range might be varied in different environmental temperature condition.