



CONNOR-WINFIELD CORPORATION

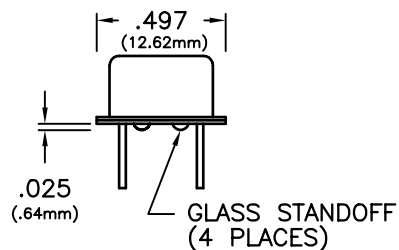
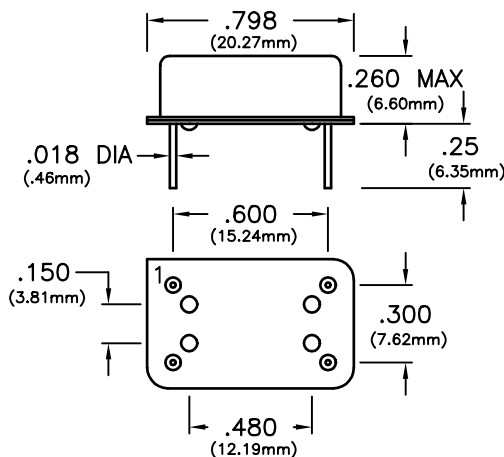
AURORA, IL. 60505

PHONE (630) 851-4722

FAX (630) 851-5040

TTL COMPATIBLE TRI-STATE OUTPUT

SPECIFICATIONS	S13R8R	S14R8R	S15R8R	S16R8R	
Frequency Range	1MHz to 70MHz				
Frequency Stability	±25ppm	±50ppm	±100ppm	±100ppm	
	(Inclusive of calibration tolerance at 25°C, operating temperature range, input voltage change, load change, aging, shock and vibration)				
Temperature Range	0°C to +70°C	0°C to +70°C	0°C to +70°C	-40°C to +85°C	
Output	Waveform	TTL Compatible Squarewave			
	Load	10 TTL			
	Voltage	Voh	2.4V Minimum		
		Vol	0.5V Maximum		
	Current	Ioh	-16mA		
		Iol	16mA		
	Duty Cycle	45/55 Maximum measured at 1.4V			
	Rise/Fall Time	5nS Maximum			
	Leakage (Disabled)	±10uA Maximum			
	Input	Output E/D Time	100nS Maximum		
Enable (Vih)		2.2V Minimum			
Disable (Vil)		0.8V Maximum			
Oscillator output is enabled with no connection on pin 1					
Start Up Time	10mS Maximum				
Supply Voltage	+5Vdc ±10%				
Supply Current	1M to 25M	25mA Maximum			
	25M to 50M	45mA Maximum			
	50M to 70M	60mA Maximum			
Package	All metal, hermetically sealed, welded package				



PIN	CONNECTION
1	ENABLE/DISABLE
7	GROUND (CASE)
8	OUTPUT
14	Vcc

Specifications subject to change without notice

BULLETIN #: HC068
PAGE 1 OF 1

REV: 03
DATE: 4/21/98

ISSUED BY: _____

Dimensional Tolerance: ±.02"
±.005"