

PLEASE CHECK WWW.MOLEX.COM FOR LATEST PART INFORMATION

Part Number: [0850010464](#)
Status: **Active**
Overview: [din_41612](#)
Description: 2.54mm (.100") Pitch DIN 41612 Header, Style B/2, Right Angle , Through Hole , 32 Circuits , 0.25µm (10µ") Selective Gold (Au) , 32 Circuits

Documents:

[3D Model](#) [Product Specification PS-85003-0001 \(PDF\)](#)
[Drawing \(PDF\)](#) [RoHS Certificate of Compliance \(PDF\)](#)

Agency Certification

CSA LR19980
 UL E29179

General

Product Family Backplane Connectors
 Series [85001](#)
 Application Daughtercard
 Component Type PCB Header
 Overview [din_41612](#)
 Product Name IEC 603-2/DIN 41612
 Style B/2

Physical

Circuits (Loaded) 32
 Circuits (maximum) 32
 Durability (mating cycles max) 50
 Flammability 94V-0
 Keying to Mating Part Yes
 Number of Columns 16
 Number of Pairs Open Pin Field
 Number of Rows 2
 Orientation Right Angle
 PC Tail Length (in) 0.118 In
 PC Tail Length (mm) 3.00 mm
 PCB Locator No
 PCB Retention Yes
 PCB Thickness Recommended (in) 0.062 In
 PCB Thickness Recommended (mm) 1.60 mm
 Packaging Type Bag
 Pitch - Mating Interface (in) 0.100 In
 Pitch - Mating Interface (mm) 2.54 mm
 Pitch - Term. Interface (in) 0.100 In
 Pitch - Term. Interface (mm) 2.54 mm
 Temperature Range - Operating -55°C to +125°C
 Termination Interface: Style Through Hole

Electrical

Current - Maximum per Contact 1.5A
 Data Rate 622.0 Mbps
 Voltage - Maximum 250V AC (RMS)

Material Info

Reference - Drawing Numbers

Product Specification PS-85003-0001
 Sales Drawing SDA-85001-0002, SDA-85001-0464

EU RoHS

ELV and RoHS

Compliant

REACH SVHC

Not Reviewed

Halogen-Free

Status

Not Reviewed

China RoHS



Need more information on product environmental compliance?

Email productcompliance@molex.com
 For a multiple part number RoHS Certificate of Compliance, [click here](#)

Please visit the [Contact Us](#) section for any non-product compliance questions.

Search Parts in this Series

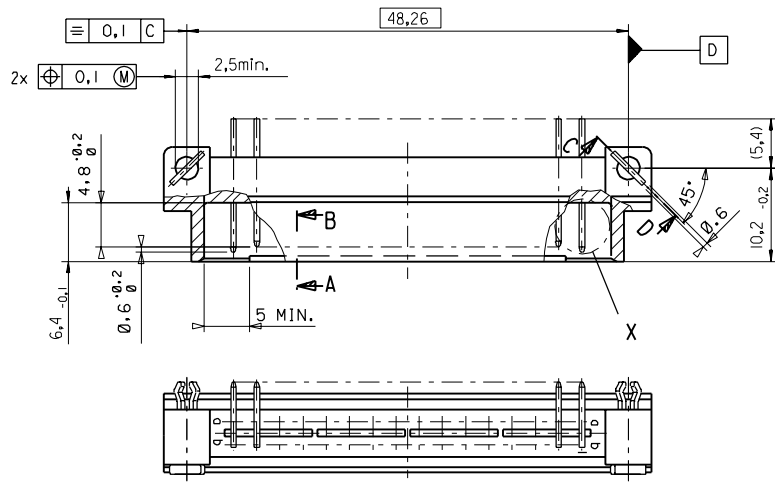
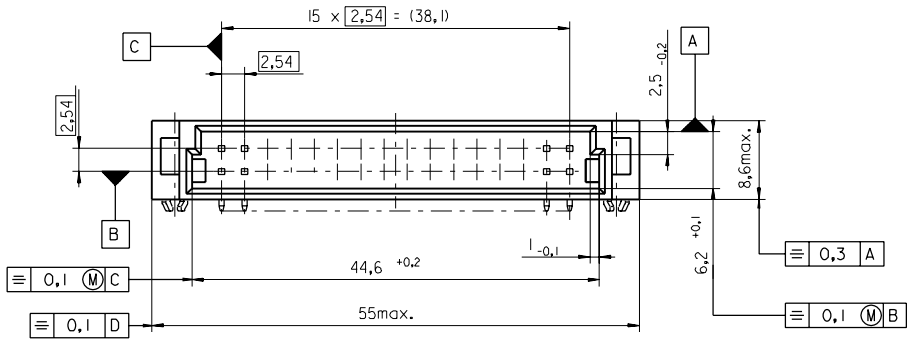
[85001Series](#)

Mates With

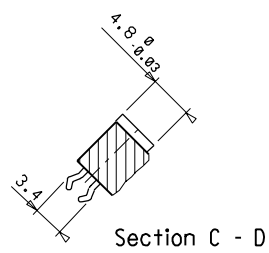
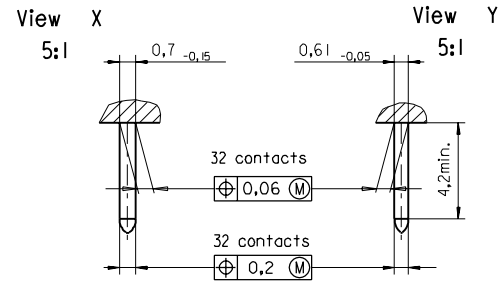
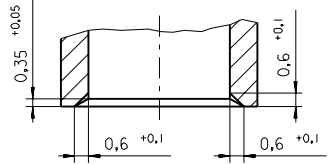
[85040](#) , [85050](#)

This document was generated on 05/17/2010

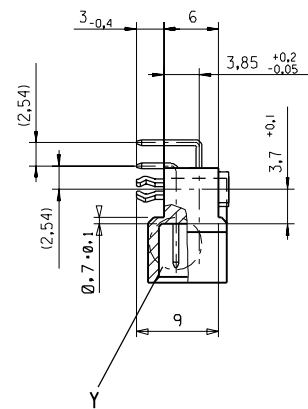
PLEASE CHECK WWW.MOLEX.COM FOR LATEST PART INFORMATION



Section A - B
5:1



Section C - D



FIRST ANGLE PROJECTION		REVISE ONLY ON CAD SYSTEM		SH.	REV.
first release see ECN No. 1887	REVISIONS FOR PREVIOUS REVISIONS SEE MRI LIST	UNLESS OTHERWISE SPECIFIED TOLERANCES: ANGULAR ±2°	DRWG BY	CAD/CAM PROJECT NAME	
		INCH METRIC	Ca	8500000 621	THIS DRAWING CONTAINS INFORMATION THAT IS PROPRIETARY TO MOLEX INC. & SHOULD NOT BE USED WITHOUT WRITTEN PERMISSION
	3 PLACE ± . ±	2 PLACE ± . ±	CHK'D BY	TITLE	
	1 PLACE ± . ±	1 PLACE ± . ±	KN	32 pos. Male connector acc. DIN 41612 style B/2 Dimensions	
	DRAFT WHERE APPLICABLE MUST REMAIN WITHIN DIMENSIONS		APP'D BY	MOLEX EUROPE	
	DESIGN DIMENSION	<input checked="" type="checkbox"/> MM	SCALE	SHEET NO.	DATE
	EQUIVALENT DIMENSION	<input type="checkbox"/> MM	2:1	1 OF	95/06/06
	IF TWO DIMENSIONS ARE SHOWN THE UPPER IS THE DESIGN DIMENSION, LOWER IS SECONDARY			PART NO.	SIZE
				SDA-85001-0002	B

VIEW ON MATING SIDE

∞	B	B	B	B	B	B	B	B	B	B	B	B	B	B
◁	A	A	A	A	A	A	A	A	A	A	A	A	A	A

1 2 3 4 5 6 7 8 9 10 11 12 13 14 15 16 17 18 19 20 21 22 23 24 25 26 27 28 29 30 31 32

A = 16 STANDARD CONTACTS L=3

B = 16 STANDARD CONTACTS L=3

S = 32 TOTAL NUMBER OF CONTACTS

Marking	Standard
Performance level	G3/0 = Contact area level3 / Termination tin
Flux proof	no
Fixing clip	no
Dimensions	SDA-85001-0002 sht.1
Technical Data	PS-85003-0001

B	G3/0
A	G3/0
Contact symbol	Perform. level
	Contact position number

ECN No. MG1998-2550 first release	REVISIONS		FOR PREVIOUS REVISIONS SEE MRI LIST	
	LTR			
UNLESS OTHERWISE SPECIFIED TOLERANCES: ANGULAR ± 2°		DRWG BY	SIGN	SCALE
INCH		Ca		
3 PLACE ± .	±	CHK'D BY	SIGN	
2 PLACE ± .	±	KN		
1 PLACE ± .	±	APPD BY	SIGN	
DRAFT WHERE APPLICABLE MUST REMAIN WITHIN DIMENSIONS		JB		
DESIGN DIMENSION		DESIGN DIMENSION		
EQUIVALENT DIMENSION		EQUIVALENT DIMENSION		
IF TWO DIMENSIONS ARE SHOWN, THE UPPER IS THE DESIGN DIMENSION, LOWER IS SECONDARY				
REVISE ONLY ON CAD SYSTEM		SH. REV.		
CAD/CAM PROJECT NAME		THIS DRAWING CONTAINS INFORMATION THAT IS PROPRIETARY TO MOLEX INC. & SHOULD NOT BE USED WITHOUT WRITTEN PERMISSION		
s8500104		s61		
TITLE		SHEET NO.		DATE
32 pos. Male connector acc. DIN 41612 style B/2 contacts arrangement		1 OF 1		97/07/28
MOLEX®		MOLEX EUROPE		DWG NO.
PART NO.		85001-0464		SDA-85001-0464
				SIZE
				A