



# SBL3040C

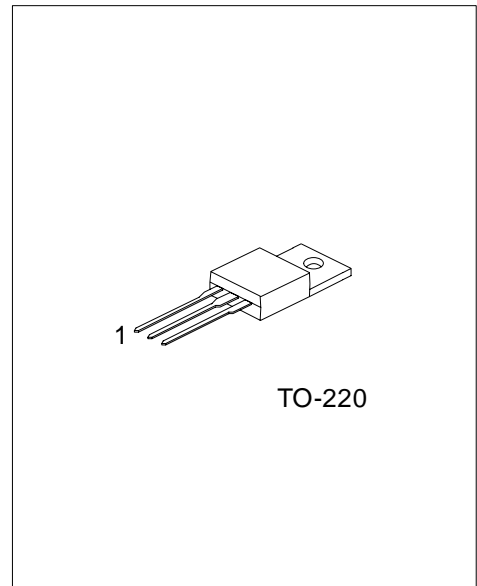
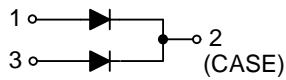
DIODE

## SCHOTTKY BARRIER RECTIFIER DIODES

### FEATURES

- \* Guard Ring for Transient Protection
- \* Low Power Loss, High Efficiency
- \* High Surge Capability
- \* High Current Capability and Low Forward Voltage Drop

### SYMBOL



\*Pb-free plating product number: SBL3040CL

### ORDERING INFORMATION

Order Number		Package	Pin Assignment			Packing
Normal	Lead Free Plating		1	2	3	
SBL3040C-TA3-T	SBL3040CL-TA3-T	TO-220	A	K	A	Tube

Note: Pin Assignment: A: Anode K: Cathode

<p>SBL3040CL-TA3-T</p> <p>(1)Packing Type</p> <p>(2)Package Type</p> <p>(3)Lead Plating</p>	<p>(1) T: Tube</p> <p>(2) TA3: TO-220</p> <p>(3) L: Lead Free Plating Blank: Pb/Sn</p>
---	--

■ ELECTRICAL CHARACTERISTICS (Ta=25 , unless otherwise specified)

PARAMETER		SYMBOL	RATINGS	UNIT
Maximum Repetitive Peak Reverse Voltage		$V_{RRM}$	40	V
Maximum non-repetitive Peak Reverse Voltage		$V_{RM}$	40	V
Maximum DC Blocking Voltage		$V_R$	40	V
Forward Voltage Drop ( $I_F=30A, T_C=25$ )		$V_F$	0.55	V
Average Forward Rectified Output Current (Note 1)	Per Leg	$I_{OUT}$	15	A
	Per Package		30	A
Peak Reverse Current at Rated DC Blocking Voltage ( $T_C=25$ )		$I_R$	0.45	mA
Operating Temperature		$T_J$	-55 ~ +150	
Storage Temperature		$T_{STG}$	-55 ~ +150	

Notes: 1. Thermal resistance junction to case mounted heat sink.

UTC assumes no responsibility for equipment failures that result from using products at values that exceed, even momentarily, rated values (such as maximum ratings, operating condition ranges, or other parameters) listed in products specifications of any and all UTC products described or contained herein. UTC products are not designed for use in life support appliances, devices or systems where malfunction of these products can be reasonably expected to result in personal injury. Reproduction in whole or in part is prohibited without the prior written consent of the copyright owner. The information presented in this document does not form part of any quotation or contract, is believed to be accurate and reliable and may be changed without notice.