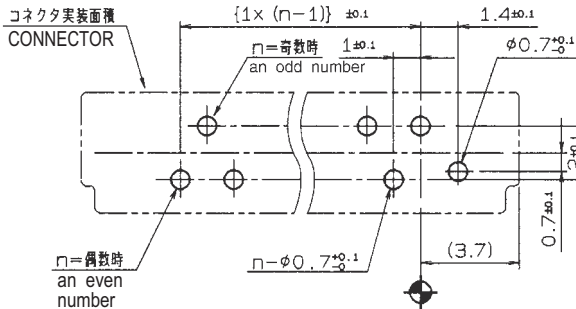
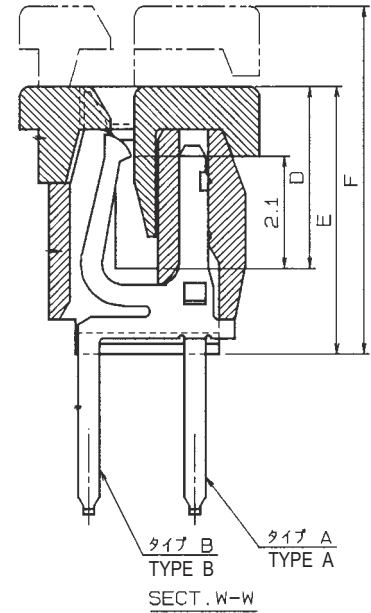
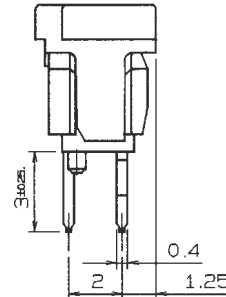
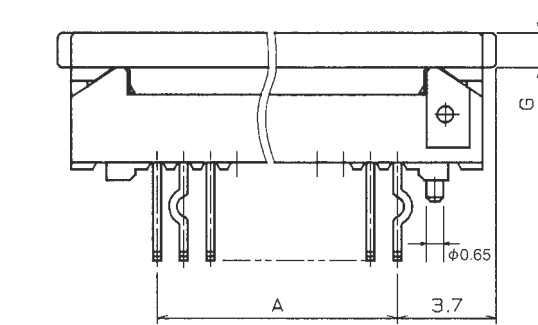
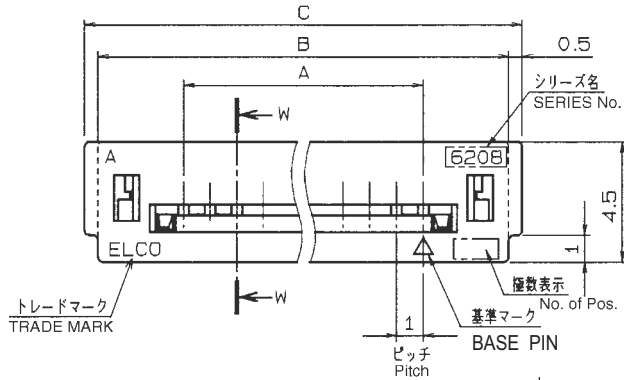


1.0mm Pitch
SERIES

6208

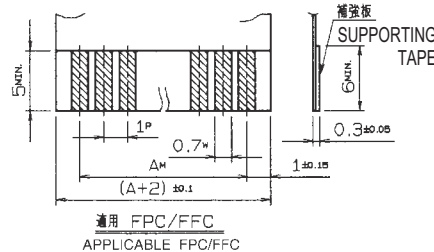
1.0mmピッチ ZIF ストレート DIP 片面接点 スライドロック

1.0mmPitch ZIF Vertical Through hole Single-sided contact Slide lock



基板取付寸法 (コネクタ搭載側)
MOUNTING LAYOUT
(t=1.2~1.6)

| 種類 KIND | 公差 TOLERANCE | | |
|------------|--------------|-------|-------|
| | P | W | M |
| FPC | ±0.02 | ±0.05 | ±0.05 |
| FFC | ±0.05 | ±0.03 | ±0.1 |



適用 FPC/FFC
APPLICABLE FPC/FFC

| 種数 No. of Pos | | 型番 ASSEMBLY NUMBER | | 寸法表 DIMENSION | | | | | | | | 収納数量 UNITS/TUBE |
|------------------|----------------------|-----------------------|---|---------------|------|------|-----|-----|-----|-----|----|--------------------|
| | | | | A | B | C | D | E | F | G | | |
| 5 | 0X 6208 XX0 105 XXX+ | ↑ | ↑ | 4.0 | 10.4 | 11.4 | 3.4 | 5.0 | 6.5 | 0.8 | 42 | |
| 6 | 106 | ↑ | ↑ | 5.0 | 11.4 | 12.4 | ↑ | ↑ | ↑ | ↑ | 38 | |
| 7 | 107 | ↑ | ↑ | 6.0 | 12.4 | 13.4 | ↑ | ↑ | ↑ | ↑ | 35 | |
| 8 | 108 | ↑ | ↑ | 7.0 | 13.4 | 14.4 | ↑ | ↑ | ↑ | ↑ | 33 | |
| 9 | 109 | ↑ | ↑ | 8.0 | 14.4 | 15.4 | ↑ | ↑ | ↑ | ↑ | 31 | |
| 10 | 110 | ↑ | ↑ | 9.0 | 15.4 | 16.4 | ↑ | ↑ | ↑ | ↑ | 29 | |
| 11 | 111 | ↑ | ↑ | 10.0 | 16.4 | 17.4 | ↑ | ↑ | ↑ | ↑ | 27 | |
| 12 | 112 | ↑ | ↑ | 11.0 | 17.4 | 18.4 | ↑ | ↑ | ↑ | ↑ | 26 | |
| 13 | 113 | ↑ | ↑ | 12.0 | 18.4 | 19.4 | ↑ | ↑ | ↑ | ↑ | 24 | |
| 14 | 114 | ↑ | ↑ | 13.0 | 19.4 | 20.4 | ↑ | ↑ | ↑ | ↑ | 23 | |
| 15 | 115 | ↑ | ↑ | 14.0 | 20.4 | 21.4 | ↑ | ↑ | ↑ | ↑ | 22 | |
| 16 | 116 | ↑ | ↑ | 15.0 | 21.4 | 22.4 | ↑ | ↑ | ↑ | ↑ | 21 | |
| 17 | 117 | ↑ | ↑ | 16.0 | 22.4 | 23.4 | ↑ | ↑ | ↑ | ↑ | 20 | |
| 18 | 118 | ↑ | ↑ | 17.0 | 23.4 | 24.4 | ↑ | ↑ | ↑ | ↑ | 19 | |
| 19 | 119 | ↑ | ↑ | 18.0 | 24.4 | 25.4 | ↓ | ↓ | ↓ | ↓ | 18 | |
| 20 | 120 | ↑ | ↑ | 19.0 | 25.4 | 26.4 | 3.4 | 5.0 | 6.5 | 0.8 | 18 | |
| 21 | 121 | ↑ | ↑ | 20.0 | 26.4 | 27.4 | 3.6 | 5.2 | 6.7 | 1.0 | 17 | |
| 22 | 122 | ↑ | ↑ | 21.0 | 27.4 | 28.4 | ↑ | ↑ | ↑ | ↑ | 17 | |
| 23 | 123 | ↑ | ↑ | 22.0 | 28.4 | 29.4 | ↑ | ↑ | ↑ | ↑ | 16 | |
| 24 | 124 | ↑ | ↑ | 23.0 | 29.4 | 30.4 | ↑ | ↑ | ↑ | ↑ | 16 | |
| 25 | 125 | ↑ | ↑ | 24.0 | 30.4 | 31.4 | 3.6 | 5.2 | 6.7 | 1.0 | 15 | |
| 26 | 126 | ↑ | ↑ | 25.0 | 31.4 | 32.4 | 3.9 | 5.5 | 7.0 | 1.3 | 15 | |
| 27 | 127 | ↑ | ↑ | 26.0 | 32.4 | 33.4 | ↑ | ↑ | ↑ | ↑ | 14 | |
| 28 | 128 | ↑ | ↑ | 27.0 | 33.4 | 34.4 | ↑ | ↑ | ↑ | ↑ | 14 | |
| 29 | 129 | ↑ | ↑ | 28.0 | 34.4 | 35.4 | ↓ | ↓ | ↓ | ↓ | 13 | |
| 30 | 0X 6208 XX0 130 XXX+ | ↑ | ↑ | 29.0 | 35.4 | 36.4 | 3.9 | 5.5 | 7.0 | 1.3 | 13 | |

注文コード ORDERING CODE

XX 6208 XX0 1XX XXX+

08: マガジン TUBE PACKAGE
(ONLY WITHOUT KINKED BOSS)
00: トレー 梱包
TRAY PACKAGE

0: キンク有 WITH KINKED
1: キンク無 WITHOUT KINKED
0: ボス無 WITHOUT BOSS
1: ボス付 WITH BOSS

極数
NUMBER
OF
POSITIONS

RoHS 対応品

RoHS Compliant Product

001+: スズ銅めっき Sn-Cu Plated
020+: 金めっき Au Plated

生産対応可能極数については、営業部に
ご確認願います。

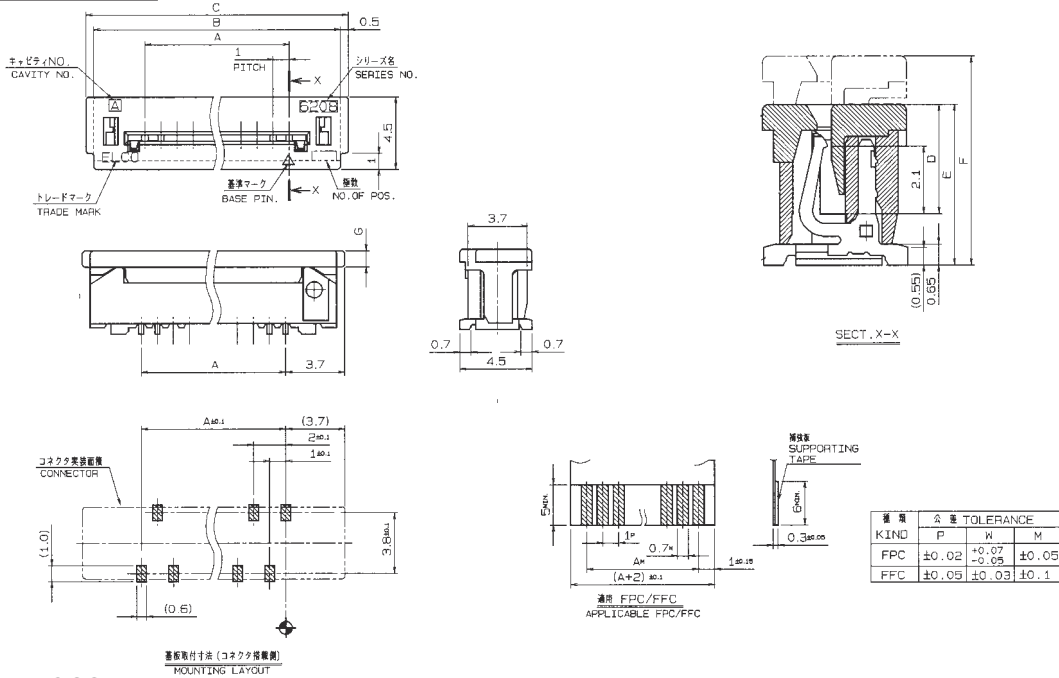
Feel free to contact our sales department
for available numbers of positions.

1.0mm Pitch
SERIES

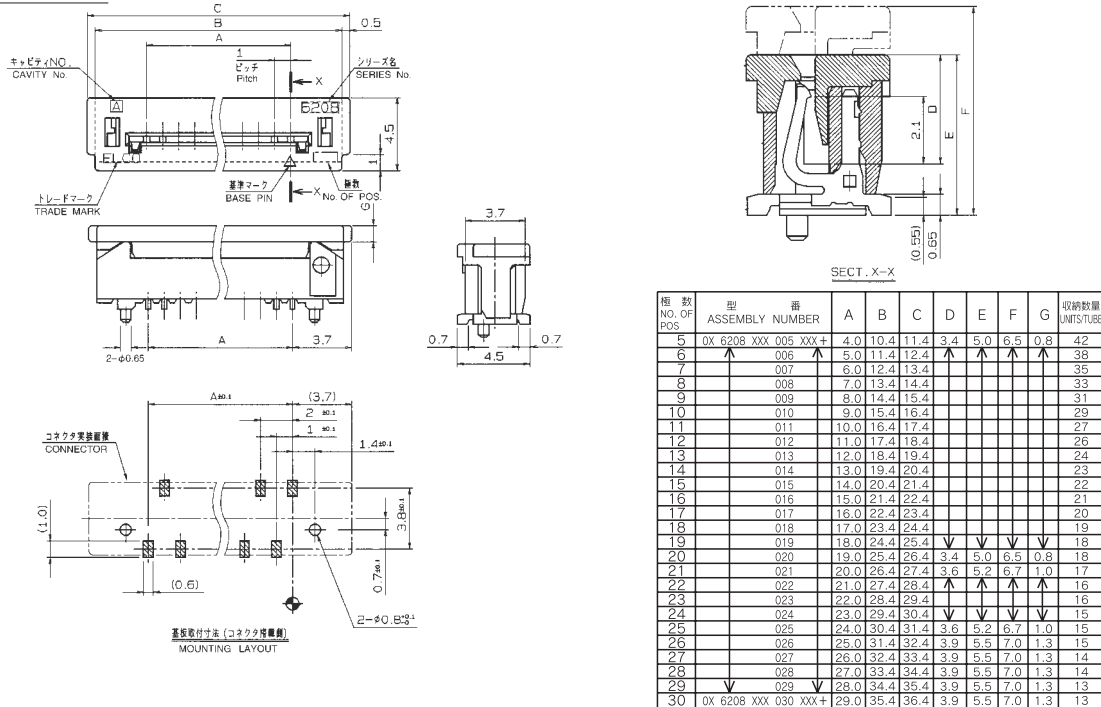
6208

1.0mmピッチ ストレート SMT スライドロック
1.0mmPitch Vertical SMT Slide lock

ボス無 WITHOUT BOSS



ボス付 WITH BOSS



注文コード ORDERING CODE
XX 6208 XXX 0XX XXX+

RoHS 対応品
RoHS Compliant Product

- 00 : トレー梱包 TRAY PACKAGE
- 08 : マガジン TUBE PACKAGE (ボス無しのみ ONLY WITHOUT BOSS)
- バリエーション VARIATION CODE
 - 500 : SMT ボス無 WITHOUT BOSS
 - 520 : SMT ボス付 WITH BOSS

- 極数 NUMBER OF POSITIONS
- 000+ : スズ銅めっき Sn-Cu Plated
- 009+ : カーボンフレキ対応スズ銅めっき Sn-Cu Plated,C/Ag type
- 852+ : 金めっき Au Plated

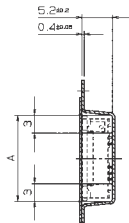
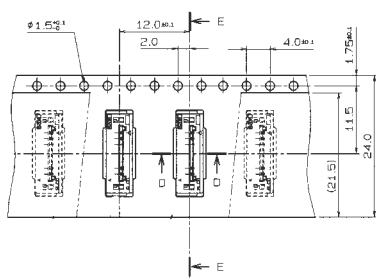
エンボス梱包品 : 00 6208 5XX X10 XXX +
Tape & Reel Package 00 6208 5XX X10 XXX +

生産対応可能極数については、営業部にご確認願います。
Feel free to contact our sales department for available numbers of positions.

1.0mm Pitch
SERIES

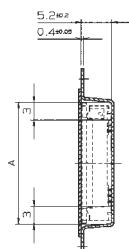
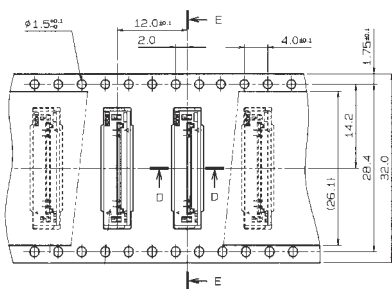
6208

エンボス梱包品 SMT
Tape and Reel Package SMT



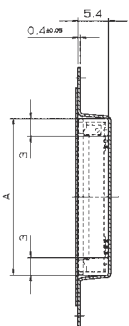
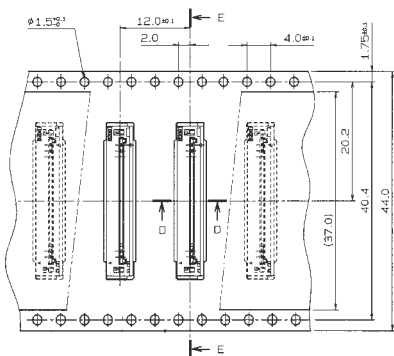
SECT. E-E

| 型番 ASSEMBLY NUMBER | 極数 NO.OF POS. | A |
|-----------------------|------------------|------|
| 00 6208 505 110 XXX+ | 5 | 11.6 |
| ↑ 506 ↑ | 6 | 12.6 |
| 507 ↑ | 7 | 13.6 |
| 508 ↑ | 8 | 14.6 |
| ↓ 509 ↓ | 9 | 15.6 |
| 00 6208 510 110 XXX+ | 10 | 16.6 |



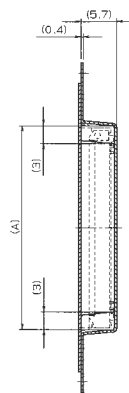
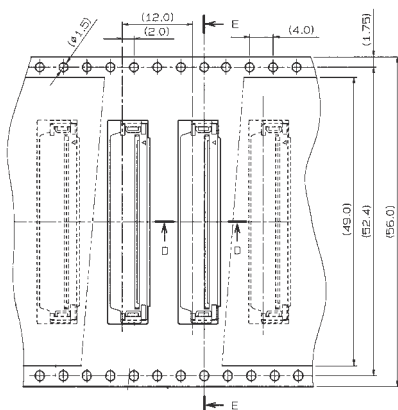
SECT. E-E

| 型番 ASSEMBLY NUMBER | 極数 NO.OF POS. | A |
|-----------------------|------------------|------|
| 00 6208 511 210 XXX+ | 11 | 17.6 |
| ↑ 512 ↑ | 12 | 18.6 |
| 513 ↑ | 13 | 19.6 |
| 514 ↑ | 14 | 20.6 |
| ↓ 515 ↓ | 15 | 21.6 |
| 00 6208 516 210 XXX+ | 16 | 22.6 |

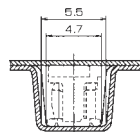


SECT. E-E

| 型番 ASSEMBLY NUMBER | 極数 NO.OF POS. | A |
|-----------------------|------------------|------|
| 00 6208 517 310 XXX+ | 17 | 23.6 |
| ↑ 518 ↑ | 18 | 24.6 |
| 519 ↑ | 19 | 25.6 |
| 520 ↑ | 20 | 26.6 |
| 521 ↑ | 21 | 27.6 |
| 522 ↑ | 22 | 28.6 |
| 523 ↑ | 23 | 29.6 |
| 524 ↑ | 24 | 30.6 |
| ↓ 525 ↓ | 25 | 31.6 |
| 00 6208 526 310 XXX+ | 26 | 32.6 |



SECT. E-E



SECT. D-D

| 型番 ASSEMBLY NUMBER | 極数 NO.OF POS. | A |
|-----------------------|------------------|------|
| 00 6208 527 410 XXX+ | 27 | 33.6 |
| ↑ 528 ↑ | 28 | 34.6 |
| ↓ 529 ↓ | 29 | 35.6 |
| 00 6208 530 410 XXX+ | 30 | 36.6 |

注文コード ORDERING CODE

00 6208 5XX X10 XXX+

極数
NUMBER
OF
POSITIONS

バリエーション VARIATION CODE

- 1: エンボス Tape & Reel 24.0mm
- 2: エンボス Tape & Reel 32.0mm
- 3: エンボス Tape & Reel 44.0mm
- 4: エンボス Tape & Reel 56.0mm

RoHS 対応品

RoHS Compliant Product

000+: スズ銅めっき Sn-Cu Plated

009+: カーボンフレキ対応スズ銅めっき Sn-Cu Plated, C/Ag type

008+: 金めっき Au Plated

生産対応可能極数については、営業部に
ご確認ください。

Feel free to contact our sales department
for available numbers of positions.

梱包数量 1000個/リール

PACKING QUANTITY : 1000/Reel