

**PLEASE CHECK WWW.MOLEX.COM FOR LATEST PART INFORMATION**

**Part Number:** [0399600110](#)  
**Status:** **Active**  
**Description:** 8.00mm (.315") Beau™ Eurostyle™ Fixed Mount PCB Terminal Block, High Voltage 10 Circuits

**Documents:**

[3D Model](#)  
[Drawing \(PDF\)](#)

[RoHS Certificate of Compliance \(PDF\)](#)

**General**

Product Family	Terminal Blocks
Series	<a href="#">39960</a>
Application	Wire-to-Board
Component Type	One Piece
Product Literature Order No	USA-199
Product Name	Eurostyle™ Fixed Mount
Type	Euro Block

**Physical**

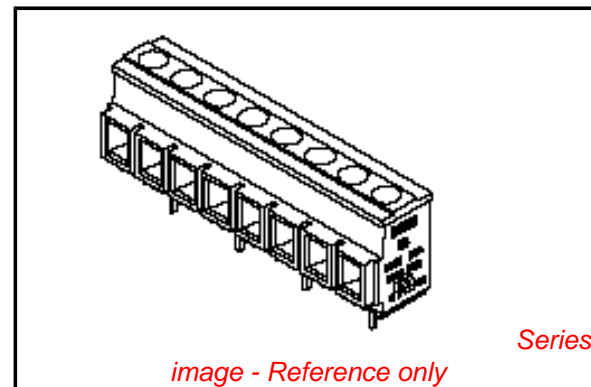
Circuits (Loaded)	10
Circuits (maximum)	10
Color - Resin	Black
Entry Angle	Horizontal
Lock to Mating Part	None
Material - Metal	High Performance Alloy (HPA)
Material - Plating Mating	Tin
Material - Plating Termination	Tin
Material - Resin	Polyester
Number of Rows	1
Orientation	Vertical
PC Tail Length (in)	0.160 In
PC Tail Length (mm)	4.06 mm
PCB Retention	None
Panel Mount	No
Pitch - Mating Interface (in)	0.315 In
Pitch - Mating Interface (mm)	8.00 mm
Pitch - Term. Interface (in)	0.315 In
Pitch - Term. Interface (mm)	8.00 mm
Plating min: Mating (µin)	150
Plating min: Mating (µm)	3.75
Plating min: Termination (µin)	150
Plating min: Termination (µm)	3.75
Polarized to Mating Part	N/A
Shrouded	Fully
Stackable	No
Surface Mount Compatible (SMC)	No
Temperature Range - Operating	130°C
Wire Size AWG	10, 12, 14, 16, 18, 20, 22
Wire Size mm²	0.50 - 4.00

**Electrical**

Current - Maximum per Contact	30A
Voltage - Maximum	600V

**Solder Process Data**

Lead-free Process Capability	Wave Capable (TH only)
------------------------------	------------------------



*image - Reference only*

**EU RoHS**

**ELV and RoHS Compliant**  
**REACH SVHC**  
 Not Reviewed  
**Halogen-Free Status**

**China RoHS**



**Not Reviewed**

**Need more information on product environmental compliance?**

Email [productcompliance@molex.com](mailto:productcompliance@molex.com)  
 For a multiple part number RoHS Certificate of Compliance, [click here](#)

Please visit the [Contact Us](#) section for any non-product compliance questions.

**Search Parts in this Series**

[39960Series](#)

**Mates With**

N/A

**Material Info**

Old Part Number

960510

**Reference - Drawing Numbers**

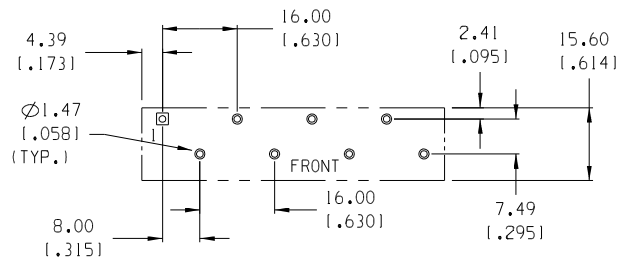
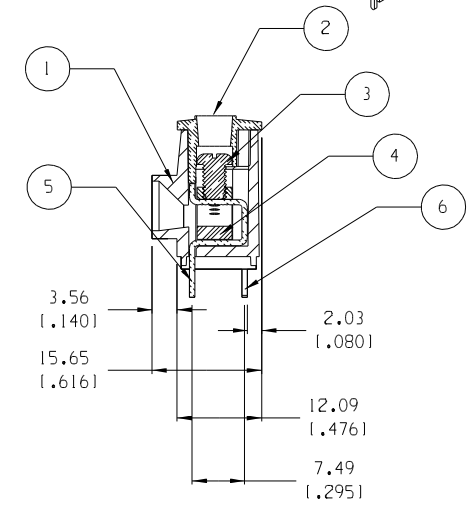
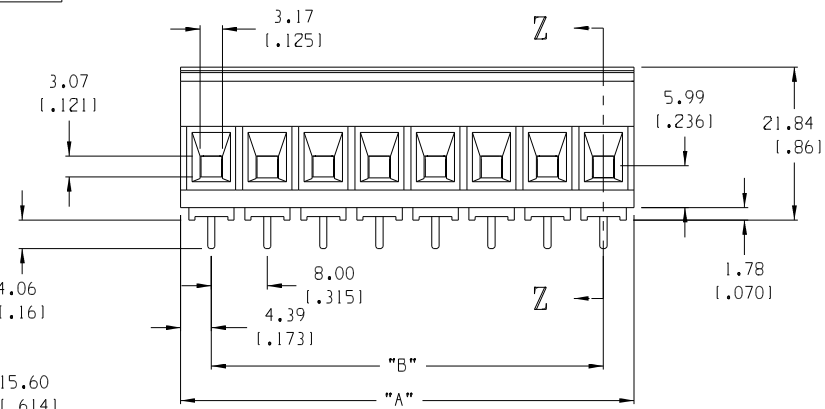
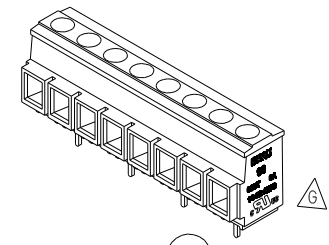
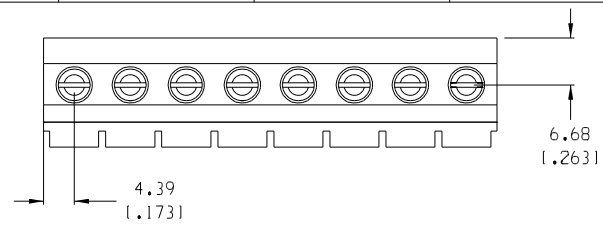
Sales Drawing

SD-39960-002

This document was generated on 04/27/2010

**PLEASE CHECK [WWW.MOLEX.COM](http://WWW.MOLEX.COM) FOR LATEST PART INFORMATION**

MATERIAL NO.	NUMBER OF CIRCUITS "XX"	DIM. "A"	DIM. "B"
39960-0103	03	24.9 [ .981]	16.00 [ .630]
39960-0104	04	32.9 [ 1.30]	24.00 [ .945]
39960-0105	05	40.9 [ 1.61]	32.00 [ 1.260]
39960-0106	06	48.9 [ 1.93]	40.00 [ 1.575]
39960-0107	07	56.9 [ 2.24]	48.00 [ 1.890]
39960-0108	08	64.9 [ 2.56]	56.00 [ 2.205]
39960-0109	09	72.9 [ 2.87]	64.00 [ 2.520]
39960-0110	10	80.9 [ 3.19]	72.00 [ 2.835]
39960-0111	11	88.9 [ 3.50]	80.00 [ 3.150]
39960-0112	12	96.9 [ 3.82]	88.00 [ 3.465]



PTH PATTERN

NOTES:

1. MATERIAL: SEE TABLE
2. FINISHES: SEE TABLE
3. PRODUCT SPECIFICATION: NOT REQUIRED
4. PACKAGING: NOT REQUIRED
5. MATES WITH: NONE
6. ALL CREEP DISTANCES FOR UL 1059, CLASS C, 600V GENERAL INDUSTRIAL.
7. FOR USE WITH #22-#10 AWG SOLID AND STRANDED WIRES.
8. TORQUE RATING IS 7 IN.-LB.
9. "XX" REFERS TO THE NUMBER OF CIRCUITS.

ITEM	QTY.	DESCRIPTION	MATERIAL	FINISH
6	XX/2	REAR TERMINAL	BRASS	TIN
5	XX/2	FRONT TERMINAL	BRASS	TIN
4	XX	CAGE	BRASS	NICKEL
3	XX	SCREW, M3.5 X 0.6	BRONZE	TIN
2	1	COVER	THERMOPLASTIC	BLACK
1	1	BODY	THERMOPLASTIC	BLACK

EC NO. ECN 3920  
 DRWN: JF 12-20-04  
 CH'KT  
 APPR:

QUALITY SYMBOLS  
 MAJOR  
 CRITICAL

GENERAL TOLERANCES: (UNLESS SPECIFIED)	
mm	INCH
4 PLACES	±.0015
3 PLACES	±.038 ±.005
2 PLACES	±.13 ±.01
1 PLACE	±.3
ANGULAR: ±2°	
DRAFT WHERE APPLICABLE MUST REMAIN WITHIN DIMENSIONS	

SCALE 3:2  
 DESIGN UNITS  mm  INCH  
 DRAWN BY & DATE GHR 3-19-02  
 CHECKED BY & DATE A. PLAZA 6-18-02  
 APPROVED BY & DATE L. ROTHHAUS 6-18-02  
 CAD FILENAME 9605-XX

THIRD ANGLE PROJECTION  
 DIMENSIONS:  mm  INCH  mm ONLY  
 SHT REV  
 REVISE ON CAD ONLY  
 TITLE: SR BTS, PKKT, #10 AWG, ASSY 600V, 30A  
 MOLEX INCORPORATED  
 MATERIAL NO. SEE CHART  
 DRAWING NO. SD-39960-002  
 SHEET NO. 1 OF 1  
 THIS DRAWING CONTAINS INFORMATION THAT IS PROPRIETARY TO MOLEX INCORPORATED AND SHOULD NOT BE USED WITHOUT WRITTEN PERMISSION.  
 SIZE B