

**PLEASE CHECK WWW.MOLEX.COM FOR LATEST PART INFORMATION**

**Part Number:** [0948301001](#)  
**Status:** **Active**  
**Description:** Metal Dome for Keypad

**Documents:**

[Drawing \(PDF\)](#) [RoHS Certificate of Compliance \(PDF\)](#)  
[Product Specification PS-94830-001 \(PDF\)](#)

**General**

Product Family	Accessories
Series	<a href="#">94830</a>
Comments	Standard Forces
Component Type	Metal Dome
Product Name	N/A

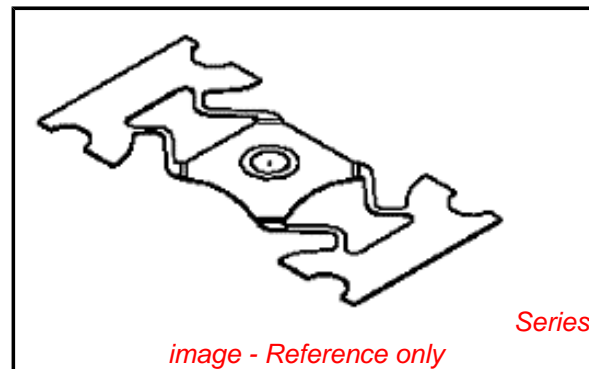
**Physical**

Circuits (Loaded)	1
Gender	N/A
Material - Metal	Stainless Steel
Packaging Type	Reel
Temperature Range - Operating	-40°C to +105°C

**Material Info**

**Reference - Drawing Numbers**

Product Specification	PS-94830-001
Sales Drawing	SD-94830-001



**EU RoHS**

**ELV and RoHS  
Compliant**  
**REACH SVHC**  
 Not Reviewed  
**Halogen-Free  
Status**

**China RoHS**



**Not Reviewed**

**Need more information on product  
environmental compliance?**

Email [productcompliance@molex.com](mailto:productcompliance@molex.com)  
 For a multiple part number RoHS Certificate of  
 Compliance, [click here](#)

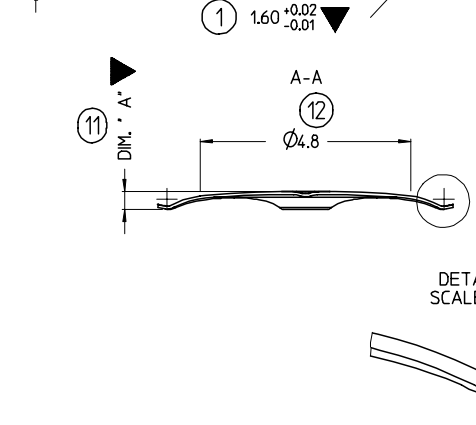
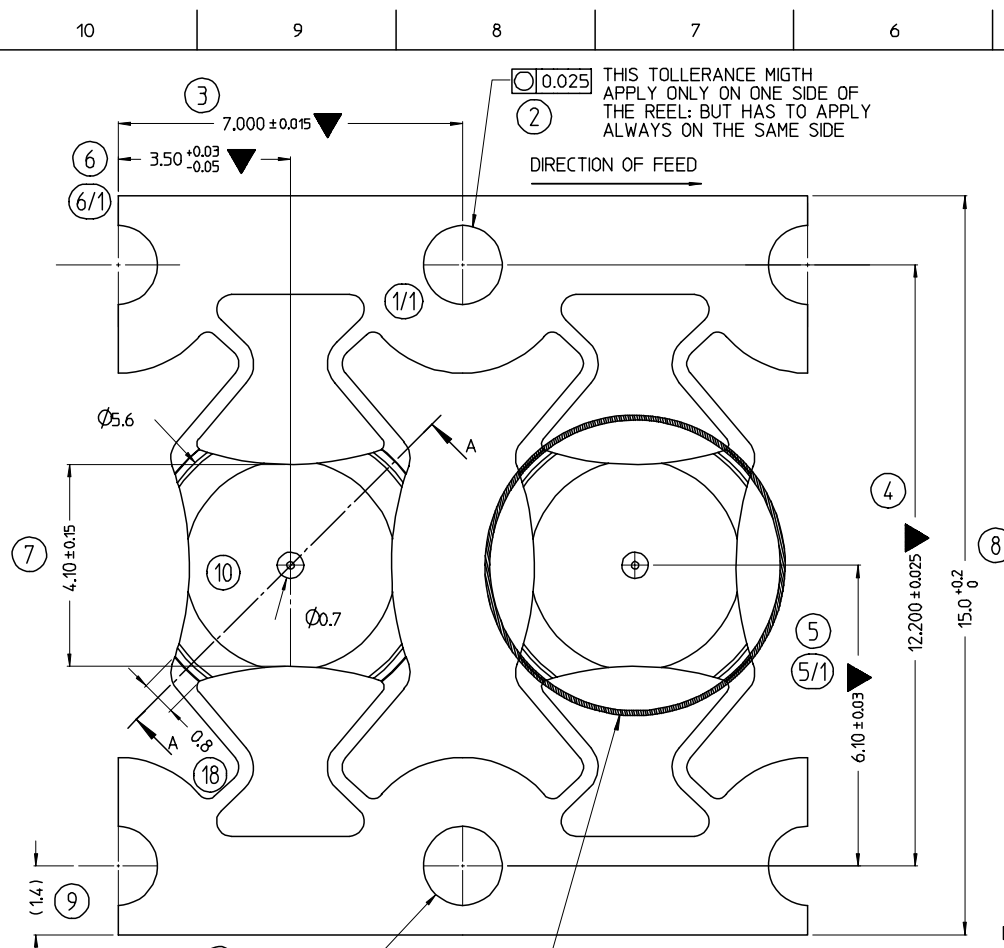
Please visit the [Contact Us](#) section for any  
 non-product compliance questions.

**Search Parts in this Series**

[94830Series](#)

**Use With**

Keypad

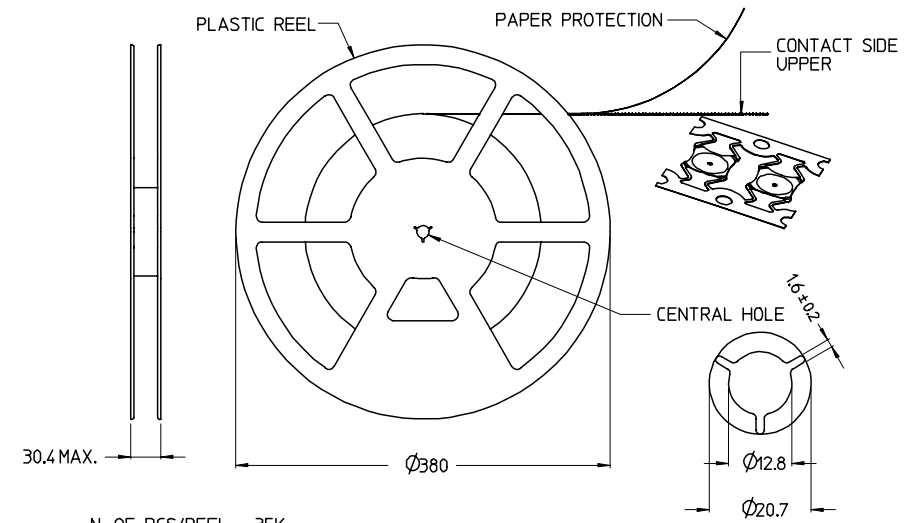


0.025 THIS TOLLERANCE MIGH  
APPLY ONLY ON ONE SIDE OF  
THE REEL: BUT HAS TO APPLY  
ALWAYS ON THE SAME SIDE

DIRECTION OF FEED

ALLOWED CUTTING AREA  
IN ORDER TO OBTAIN DIMENSIONS  
AS SHOWN DETAIL 'A'.

PACKAGING CONFIGURATION



N. OF PCS/REEL = 35K  
N. OF REEL/BOX = 7  
N. OF PCS BOX = 245K  
S.P.Q. = 245K  
EXTERNAL BOX DIM = 400X400X210

NOTES:

MATERIAL - X12CrNi17 7  
MATERIAL THICKNESS 0.06mm  
PLATING - Ni  
LIFE - OVER 300K ACTUATIONS

OTHER PRODUCT CHARACTERISTICS  
ACCORDING TO PS-94830-001

MTL NO	TRIP FORCE [N]	RELEASE FORCE [N]	TRAVEL [mm]	CLICK RATIO	DIM "A" [mm]
94830-1001	1.8±0.25	0.8±0.25	0.32±0.05	55%	0.40
94830-1101	1.4±0.20	0.6±0.20	0.29±0.05	55%	0.38

DESCR. STD: \*DOME METAL DIA 6 FOUR LEGS ON STRIP\*

EC NO: Z2006-0082	2005/11/11	2005/11/17	2005/11/17
DRWN:GZUIN	CHKD:RSANDANO	APPR:FBISELLO	
B2	REV	DESCRIPTION	

QUALITY SYMBOLS	▽=9	▽=0
-----------------	-----	-----

GENERAL TOLERANCES (UNLESS SPECIFIED)	DIMENSION STYLE MM ONLY	SCALE 10:1	DESIGN UNITS METRIC	FIRST ANGLE PROJECTION
4 PLACES ± ---	mm	DRAWN BY GZUIN	DATE 2001/04/03	TITLE METAL DOME DIA 6, 4 LEG (ON CARRIER STRIP)
3 PLACES ± ---	INCH	CHECKED BY	DATE	
2 PLACES ± 0.05		TESTAGUZZA	2001/04/03	
1 PLACE ± 0.1		APPROVED BY	DATE	
ANGULAR ± 1 °		RMARTUCCI	2001/04/03	
DRAFT WHERE APPLICABLE MUST REMAIN WITHIN DIMENSIONS	SIZE A3	MATERIAL NO.	DOCUMENT NO. SD-94830-001	SHEET NO. 1 OF 1

MOLEX INCORPORATED	THIS DRAWING CONTAINS INFORMATION THAT IS PROPRIETARY TO MOLEX INCORPORATED AND SHOULD NOT BE USED WITHOUT WRITTEN PERMISSION
--------------------	---