

M9002 Series SMT TCXO Module

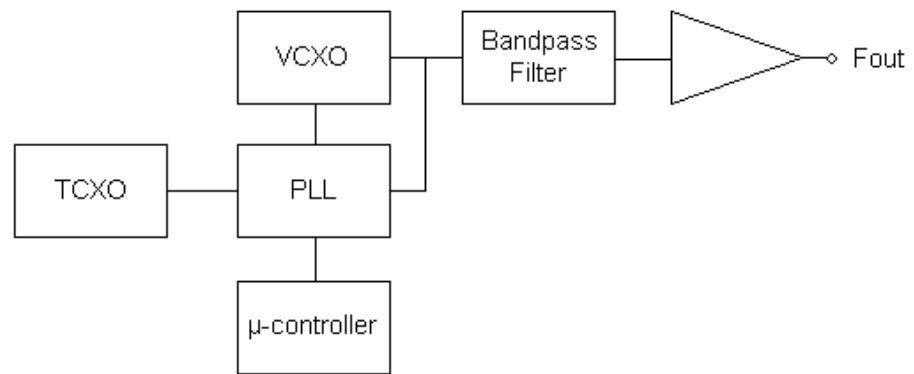
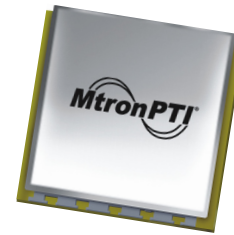
1x1 inch, 3.3 Volt, Sinewave

Features

- Custom TCXO Module
- Supply Voltage: 3.3V
- Output Logic: Sinewave
- Package Size: 25 x 25mm, Surface Mount
- Frequency Range: 50 MHz - 1.4 GHz
- Excellent Frequency Stability
- Low Phase Noise

Applications

- 3G Base Stations
- WiMax Base Stations
- Test & Measuring Systems
- Timing Circuits



This product is an example of MtronPTI engineers designing a custom TCXO module for a wireless base station. The key customer requirements being: 500 MHz frequency, frequency vs. temperature stability of ± 1.0 ppm at -40°C to $+85^{\circ}\text{C}$ and low phase noise of -140 dBc/Hz at 1 MHz. MtronPTI met the customer requirements with a custom module consisting of a TCXO, a phase-locked loop circuit and a VCXO - all in a 1x1 inch SMD. See the block diagram above. Other potential applications are test & measuring systems and timing circuits.

