

Enhanced Performance K Series RFI Power Line Filters

DK Series



**UL Recognized
CSA Certified
VDE Approved**



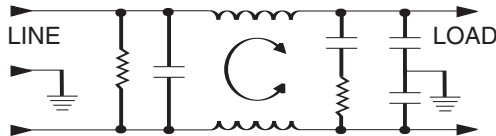
DK Series

The DK series RFI power line filters are general purpose common mode and differential mode filters with higher performance line-to-line attenuation than the VK series.

The E version of the DK series (EDK) has the same high performance line-to-line attenuation while still meeting the very low leakage current requirements of VDE portable equipment and UL544 non-patient care equipment.

The V version of the DK series (VDK) has the same high performance in a more cost-effective package for applications without strict leakage current requirements.

Electrical Schematic



Resistor location for reference only.

Specifications

Maximum leakage current, each line-to-ground

| | VDK Models | EDK Models |
|------------------|-------------------|-------------------|
| @ 120 VAC 60 Hz: | .4 mA | .22 mA |
| @ 250 VAC 50 Hz: | .7 mA | .38 mA |

Hipot rating (one minute):

| | |
|----------------|----------|
| line-to-ground | 2250 VDC |
| line-to-line | 1450 VDC |

Operating frequency:

50/60 Hz

Rated voltage (max.):

250 VAC

Rated current:

| | |
|-------------|-----|
| 1VDK/1EDK | 1A |
| 3VDK/3EDK | 3A |
| 6VDK/6EDK | 6A |
| 10VDK/10EDK | 10A |
| 20VDK/20EDK | 20A |

Minimum insertion loss in dB:

Line-to-ground in 50 ohm circuit

| Current Rating | Frequency-MHz | | | | | |
|-------------------|---------------|----|----|----|----|----|
| | .15 | .5 | 1 | 5 | 10 | 30 |
| VDK Models | | | | | | |
| 1A, 3A | 18 | 30 | 40 | 48 | 48 | 40 |
| 6A, 10A, 20A | 10 | 22 | 30 | 39 | 44 | 50 |
| EDK Models | | | | | | |
| 1A, 3A | 17 | 27 | 33 | 45 | 45 | 40 |
| 6A, 10A, 20A | 10 | 19 | 25 | 34 | 40 | 46 |

Line-to-line in 50 ohm circuit

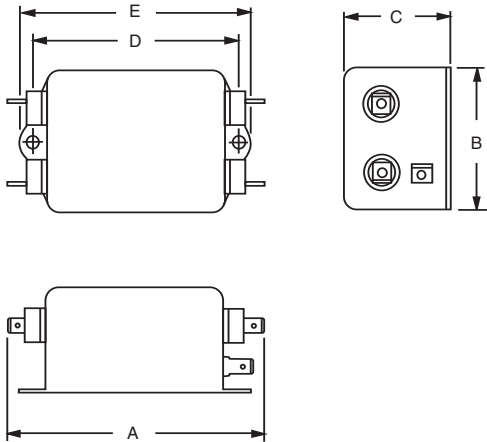
| Current Rating | Frequency-MHz | | | | | |
|------------------------|---------------|----|----|----|----|----|
| | .15 | .5 | 1 | 5 | 10 | 30 |
| VDK, EDK Models | | | | | | |
| 1A, 3A | 18 | 47 | 62 | 60 | 50 | 45 |
| 6A, 10A, 20A | 20 | 43 | 55 | 65 | 60 | 55 |

Enhanced Performance K Series RFI Power Line Filters (Continued)

DK Series

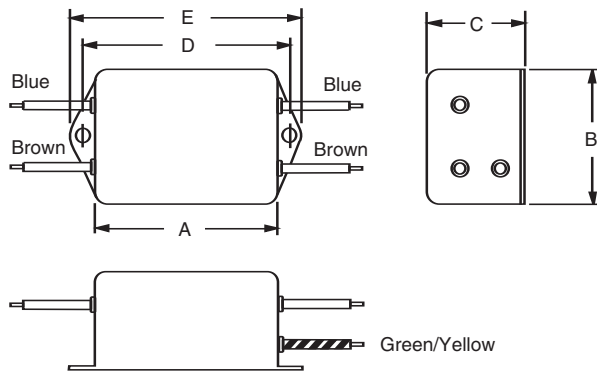
Case Styles

VDK1/EDK1



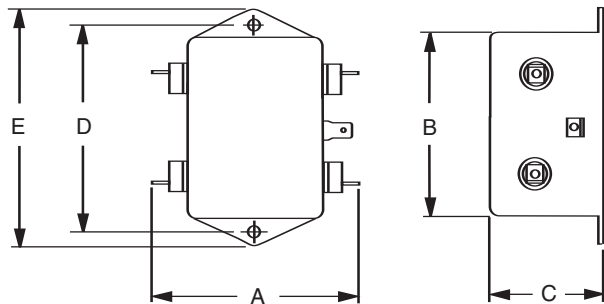
Typical dimensions:
 Terminals: .250 [6.35] (5) Holes: .07 [1.8] Dia.(4)
 Mounting Holes: .188 [4.78] Dia. (2) Slot: .07 x .16 [1.8 x 4.1]

VDK3/EDK3



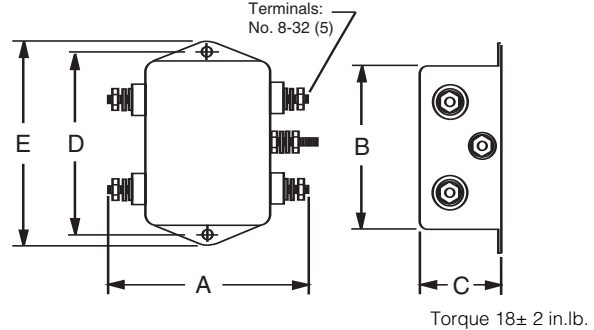
Typical dimensions:
 Wire Leads: 4.0 [101.6] (Min.) Mounting Holes: .188 [4.78] Dia. (2)

20VDK1/20EDK1



Typical dimensions:
 Terminals: .250 [6.35] (5) Holes: .07 [1.8] Dia.(4)
 Mounting Holes: .188 [4.78] Dia. (2) Slot: .07 x .16 [1.8 x 4.1]

20VDK6



Case Dimensions

| Part No. | A (max) | B (max) | C (max) | D $\pm_{.015}$ $\pm_{.38}$ | E (max) |
|---------------|---------------------|---------------------|---------------------|-------------------------------|---------------------|
| 1VDK1, 1EDK1 | 3.35 85.1 | 2.07 52.6 | 1.16 29.5 | 2.375 60.33 | 2.81 71.4 |
| 1VDK3, 1EDK3 | 2.07 52.6 | 2.07 52.6 | 1.16 29.5 | 2.375 60.33 | 2.81 71.4 |
| 3VDK1, 3EDK1, | 3.85 | 2.07 | 1.16 | 2.938 | 3.35 |
| 6VDK1, 6EDK1 | 97.8 | 52.6 | 29.5 | 74.63 | 85.1 |
| 3VDK3, 3EDK3, | 2.56 | 2.07 | 1.16 | 2.938 | 3.35 |
| 6VDK3, 6EDK3 | 65.0 | 52.6 | 29.5 | 74.63 | 85.1 |
| 10VDK1, | 3.85 | 2.07 | 1.32 | 2.938 | 3.35 |
| 10EDK1 | 97.8 | 52.6 | 33.5 | 74.63 | 85.1 |
| 10VDK3, | 2.57 | 2.07 | 1.32 | 2.938 | 3.35 |
| 10EDK3 | 65.3 | 52.6 | 33.5 | 74.63 | 85.1 |
| 20VDK1, | 3.85 | 2.58 | 1.78 | 2.938 | 3.35 |
| 20EDK1 | 97.8 | 65.5 | 45.2 | 74.63 | 85.1 |
| 20VDK6 | 3.46 | 2.58 | 1.78 | 2.938 | 3.35 |
| | 87.9 | 65.5 | 45.2 | 74.63 | 85.1 |

Part Numbers

| | |
|--------|--------|
| 1VDK1 | 1EDK1 |
| 1VDK3 | 1EDK3 |
| 3VDK1 | 3EDK1 |
| 3VDK3 | 3EDK3 |
| 6VDK1 | 6EDK1 |
| 6VDK3 | 6EDK3 |
| 10VDK1 | 10EDK1 |
| 10VDK3 | 10EDK3 |
| 20VDK1 | 20EDK1 |
| 20VDK6 | |