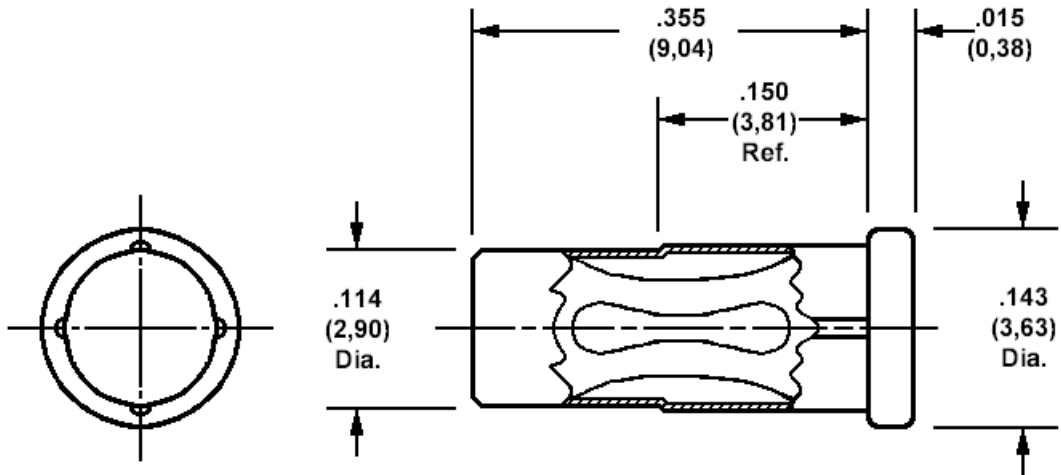


**450-1806 Press mount socket, for .080 (2,03) diameter pins**

Recommended mounting hole .116 (2,95) +.002 (0,05) -0.001 (0,03), #32 drill



Min hole depth .360 (9,14)

**How to order code****450-1806-01-XX-00****Basic Part No XX = Finish****MATERIALS**

<b>Component</b>	<b>Material</b>	<b>Finish(-03)</b>	<b>Finish(-04)</b>	<b>Finish(-06)</b>
Body	Copper	Gold over Nickel	Tin	Tin
Spring	Beryllium copper	Gold over Nickel	Tin	Gold over Nickel