

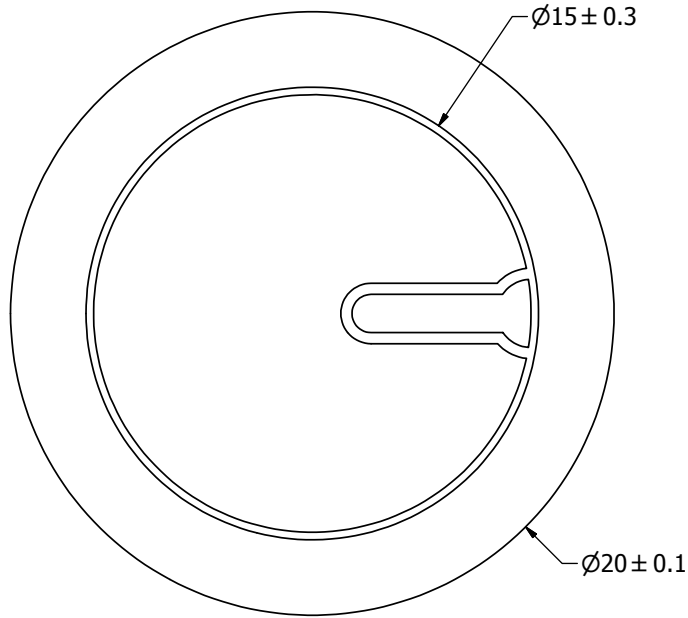
SPECIFICATIONS

| PARAMETERS | VALUES | UNITS |
|--------------------------|--------------|-------|
| RESONANT FREQUENCY | 3,700 ± 500 | Hz |
| RESONANT IMPEDANCE (MAX) | 500 | Ohm |
| MAX INPUT VOLTAGE | 30 | Vp-p |
| CAPACITANCE @ 1KHZ | 20,000 ± 30% | pF |
| PLATE MATERIAL | ALLOY | - |
| OPERATING TEMPERATURE | -20 ~ +70 | °C |
| STORAGE TEMPERATURE | -30 ~ +80 | °C |

THIS DOCUMENT CONTAINS DATA PROPRIETARY TO PROJECTS UNLIMITED, INC. ANY USE OR REPRODUCTION, IN ANY FORM, WITHOUT PRIOR WRITTEN PERMISSION OF PROJECTS UNLIMITED, INC. IS PROHIBITED.
©2003, Projects Unlimited Inc.

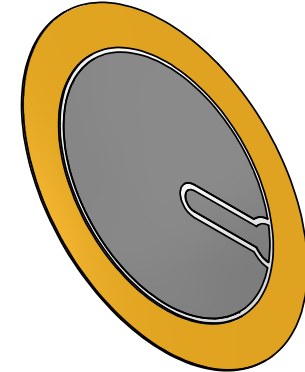
REVISION HISTORY

| LTR | DESCRIPTION | DATE | APPROVED |
|-----|--|-----------|----------|
| - | RELEASED FROM ENGINEERING | 4/9/2002 | |
| A | REVISED TO NEW TEMPLATE | 9/4/2003 | R.W. |
| B | REVISED SPECIFICATIONS | 1/9/2004 | R.W. |
| C | REVISED DIMENSION SIZE AND STYLE | 1/19/2006 | B.R. |
| D | REVISED TO INVENTOR 3-D DRAWING TEMPLATE | 8/16/2007 | B.R. |




0.21 ± 0.05

0.1 ± 0.02



NOTES:

1. ALL DIMENSIONS ARE IN MILLIMETERS.
2. SPECIFICATIONS SUBJECT TO CHANGE OR WITHDRAWAL WITHOUT NOTICE.

| | | | | | | | | | |
|--|------|---|-----------|------------|------|-------------|-----------|------------|--|
| UNLESS OTHERWISE SPECIFIED: DIMENSIONS ARE IN MILLIMETERS, TOLERANCES ARE ±0.5 AND ANGLES ARE ±3°. | SIZE | Designed by | Date | Checked by | Date | Approved by | Date | Drawn Date | |
| | A3 | RABL | 4/10/2002 | | | S.J. | 4/10/2002 | 8/16/2007 | |
| AB2036AF.idw | |  | | AB2036AF | | | | | |
| | | Bender | | | | Edition | | Sheet | |
| | | | | | | - | | 1 / 1 | |