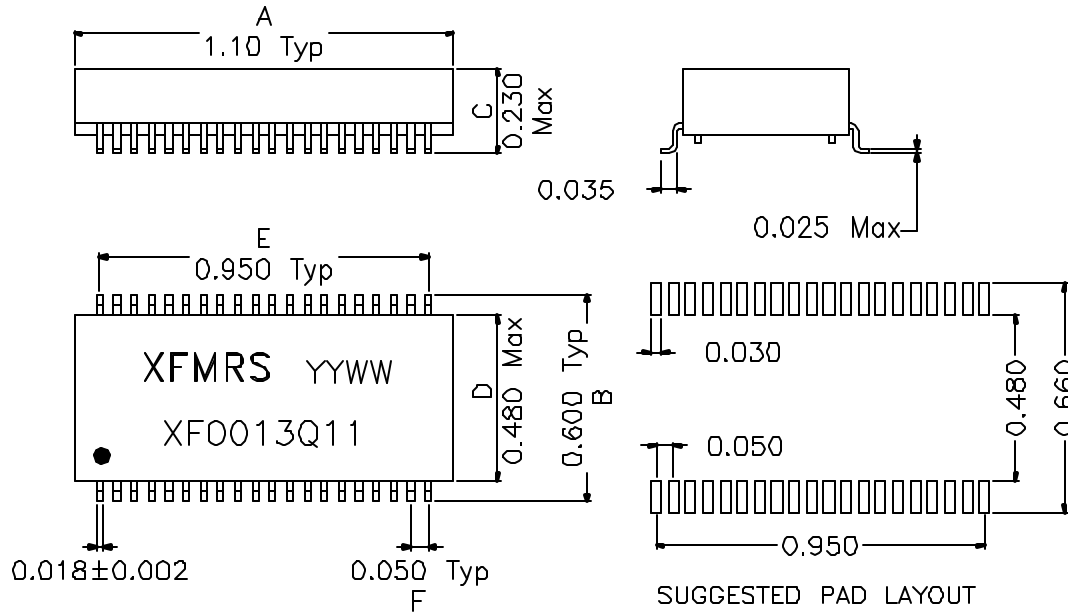
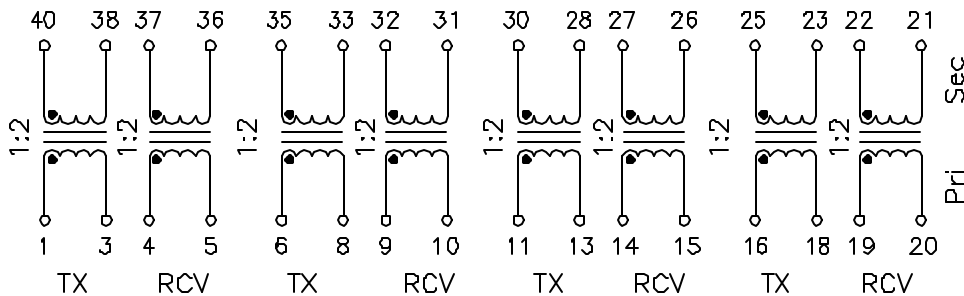


### 1. Dimensions:



### 2. Schematic:



### 3. Electrical Specifications: @25°C

Isolation: 1500 Vrms (PRI to SEC)

TX Turns Ratio: 1:2 (PRI:SEC)

RCV Turns Ratio: 1:2 (PRI:SEC)

PRI OCL: 1.2mH Min @100KHz 50mV

Cw/w: 35pF Maximum @100KHz 50mV (PRI/SEC)

PRI LL: 0.8uH Maximum @100KHz 50mV  
(SEC Shorted)

**Note:**

1. Solderability: Leads shall meet MIL-STD-202, Method 208D for solderability.
2. Flammability: UL94V-0,
3. ASTM oxygen index: > 28% ,
4. Temperature rating: 155°C, UL file E151556,
5. Operating Temperature Range -40°C to +85°C

DOC. REV: A/2

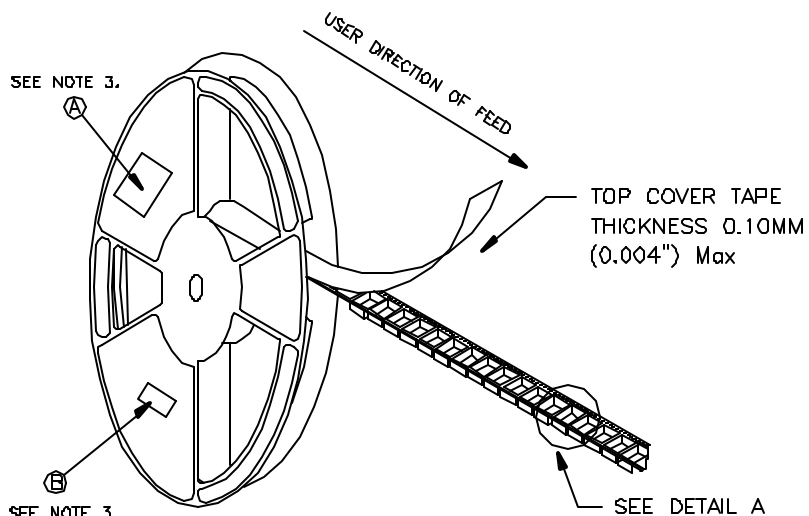
THIS DOCUMENT IS STRICTLY NOT ALLOWED TO BE DUPLICATED WITHOUT AUTHORIZATION

<b>XFMRS Inc</b>	Title: T1/E1/CEPT QUAD PORT		
	UNLESS OTHERWISE SPECIFIED TOLERANCES: .xxx ±0.010		P/N: XF0013Q11
Dimensions in INCH	CHK.	廖玉坤	REV. A
SHEET 1 OF 2	APP.	李清儿	Jan-13-01
		BW	Jan-13-01

# TAPE AND REEL SPECIFICATION:

## NOTES:

- 1) PROCESS IN ACCORDANCE WITH EIA-481-2 STANDARDS
    - \* TAPE LEADER DIMENSION 15.30" MIN.
    - \* TAPE TRAILER DIMENSION 6.30" MIN.
  - 2) PARTS SHOULD BE PACKAGED IN ACCORDANCE WITH ESD GUIDELINES IN EIA-541.
  - 3) REEL LABEL: 'A' \* PART NUMBER
    - \* QUANTITY
    - \* LOT NUMBER
- 'B'- ANTI-STATIC CAUTION LABEL



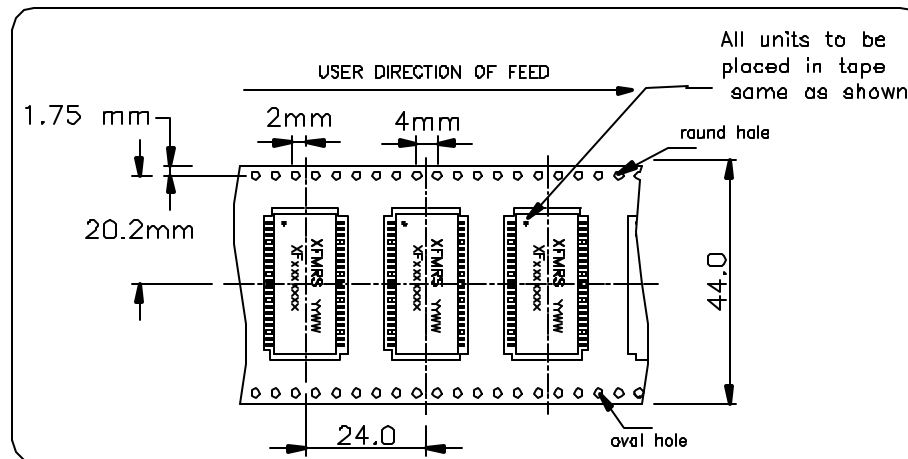
REEL AND TAPE ORIENTATION

13" REEL DIAMETER

13" REEL=400 PCS

DOC. REV. A/1

DETAIL A



XFMRS Inc	Title: T&R SPEC		
	UNLESS OTHERWISE SPECIFIED TOLERANCES: .xxs ±xxxxx		40 Pin Quad T&R
Dimensions in mm	DWN.	康玉坤	REV:A
	CHK.	李清儿	Dec-28-00
SHT 2 OF 2	APP.	BW	Dec-28-00