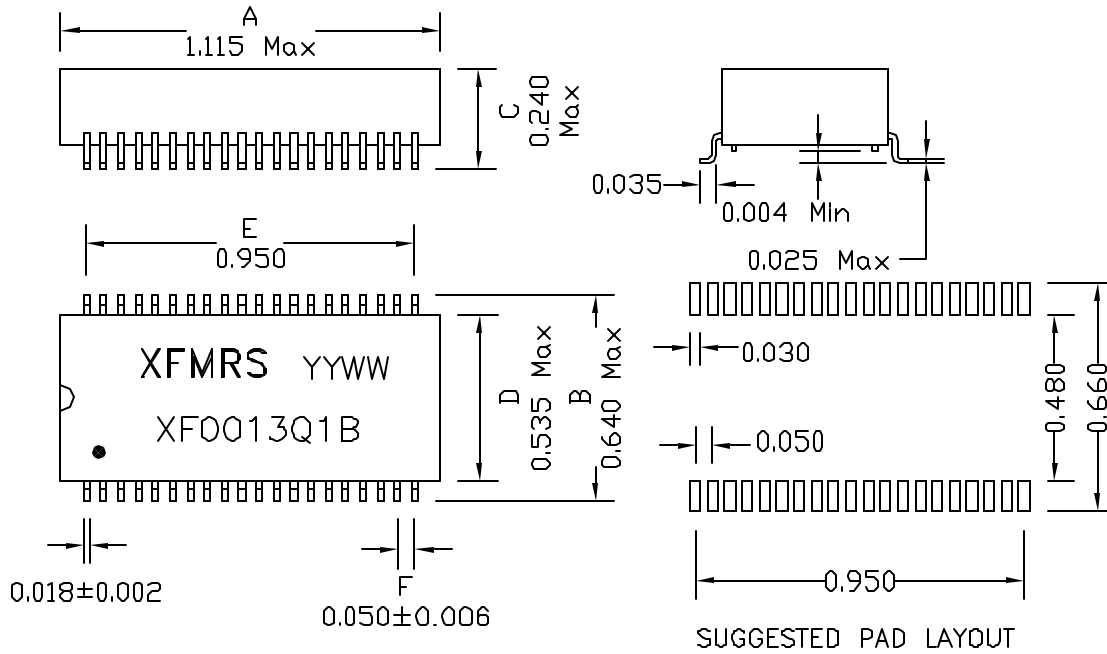
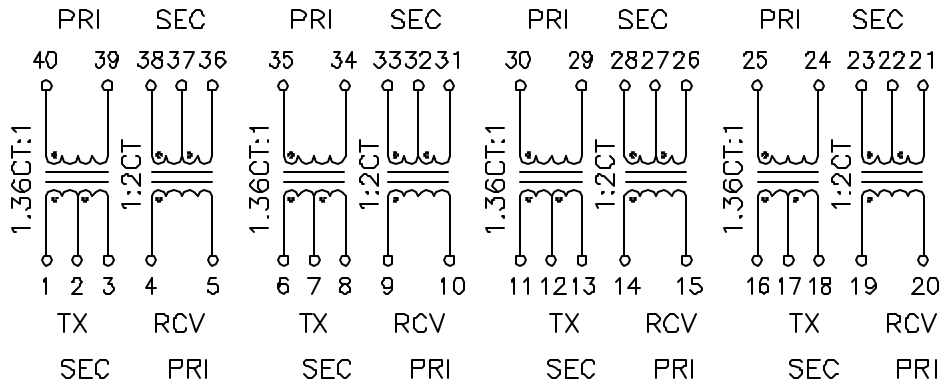


### 1. Dimensions:



### 2. Schematic:



DOC. REV: A/5

### 3. Electrical Specifications: @25°C

Isolation: 1500 Vrms (PRI to SEC)

TX Turns Ratio: 1:1.36CT (PRI:SEC)

RCV Turns Ratio: 1:2CT (PRI:SEC)

PRI OCL: 1.20mH Minimum @100KHz 50mV

Cw/w: 35pF Maximum @100KHz 50mV (PRI/SEC)

PRI LL: 0.8uH Maximum @100KHz 50mV  
(SEC Shorted)

#### Notes:

1. Solderability: Leads shall meet MIL-STD-202G, Method 208H for solderability.
2. Flammability: UL94V-0
3. ASTM oxygen index: > 28%
4. Insulation System: Class F 155°C. UL file E151556
5. Operating Temperature Range: All listed parameters are to be within tolerance from -40°C to +85°C
6. Storage Temperature Range: -55°C to +125°C
7. Aqueous wash compatible
8. SMD Lead Coplanarity: ±0.004" (0.102mm)
9. Electrical and mechanical specifications 100% tested
10. RoHS Compliant Component

<b>XFMRS Inc</b> www.XFMRS.com		Title: T1/E1/CEPT QUAD PORT	
UNLESS OTHERWISE SPECIFIED TOLERANCES: .xxx ±0.010		P/N: XF0013Q1B	REV. A
Dimensions in INCH		DWN. 李小锋	Jan-02-07
SHEET 1 OF 1		CHK. 廖玉坤	Jan-02-07
		APP. MS	Jan-02-07