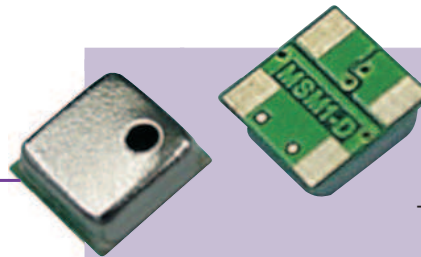
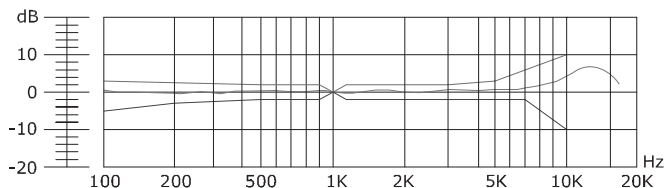


SoniCrest Microphones

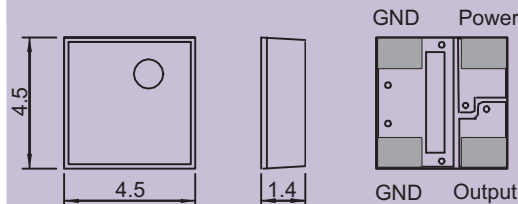
SMO01A Series (Silicon Microphone)

- Competitive Cost
- Various Sensitivity Ranges
- Reflow Compatible
- Silicon Acoustic Technology
- Patented Manufacturing Process
- Leadfree

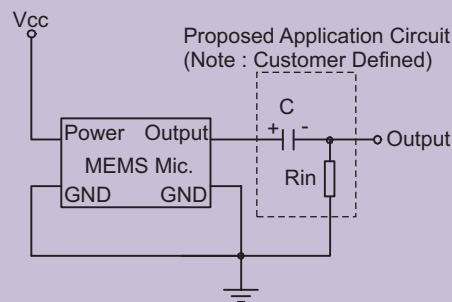
Frequency Response



Dimension
Unit : mm
Tolerance : ± 0.3 mm



Interface Circuit



Specification (all data taken at 25°C unless otherwise specified)

Model	Directivity	★Sensitivity (dB)	Rated Voltage Range(V)	Current Consumption (μA)	Output Impedance (Ω)	Frequency Range (Hz)	S/N Ratio (dB)	Package Type	Filtering Capacitors (pF)	Operating Temperature (°C)	Storage Temperature (°C)
SMO01A-42	Omnidirectional	-42 ± 3	1.5 ~ 3.6	≤ 150	≤ 100	100 ~ 16k	≥ 57	SMD	10 and 33	-40 ~ +100	-40 ~ +125

★ Condition : 0dB = 1V/pa, 1kHz, Different sensitivity level is available upon request.