

isc Silicon NPN Darlington Power Transistor

2SD2113

DESCRIPTION

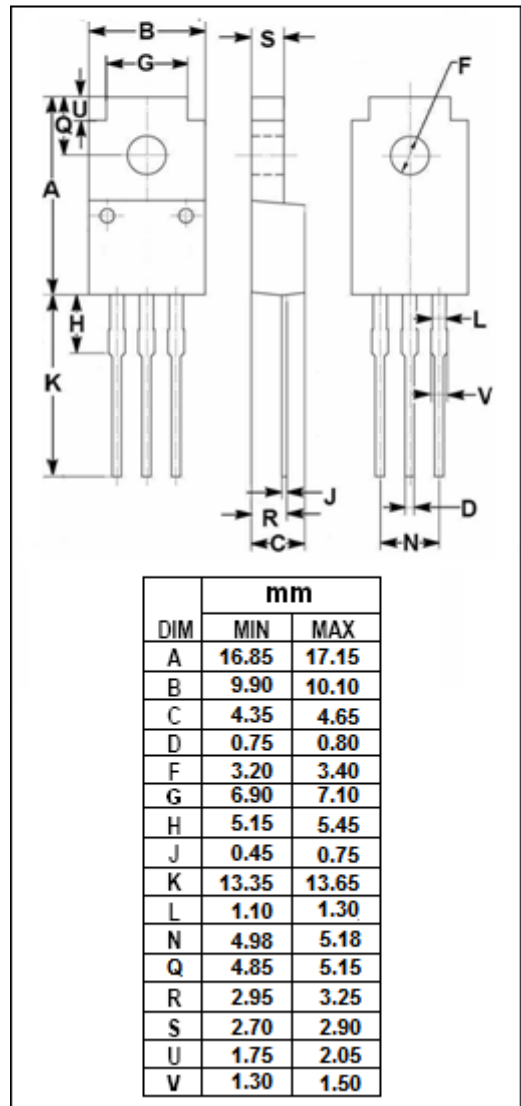
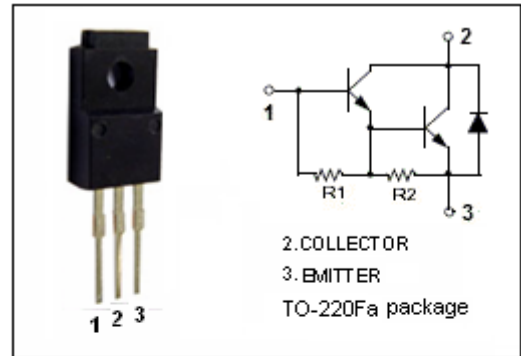
- Collector-Emitter Breakdown Voltage-
: $V_{(BR)CEO} = 120V(\text{Min})$
- Collector-Emitter Saturation Voltage-
: $V_{CE(sat)} = 1.5V(\text{Max}) @ I_C = 1.5A$
- High DC Current Gain
: $h_{FE} = 1000(\text{Min}) @ I_C = 1.5A, V_{CE} = 3V$

APPLICATIONS

- Designed for low frequency power amplifier applications

ABSOLUTE MAXIMUM RATINGS($T_a=25^\circ\text{C}$)

SYMBOL	PARAMETER	VALUE	UNIT
V_{CBO}	Collector-Base Voltage	120	V
V_{CEO}	Collector-Emitter Voltage	120	V
V_{EBO}	Emitter-Base Voltage	7	V
I_C	Collector Current-Continuous	3	A
I_{CM}	Collector Current-Peak	6	A
P_C	Collector Power Dissipation @ $T_C=25^\circ\text{C}$	25	W
	Collector Power Dissipation @ $T_a=25^\circ\text{C}$	2	
T_J	Junction Temperature	150	$^\circ\text{C}$
T_{stg}	Storage Temperature Range	-55~150	$^\circ\text{C}$



isc Silicon NPN Darlington Power Transistor**2SD2113****ELECTRICAL CHARACTERISTICS****T_C=25°C unless otherwise specified**

SYMBOL	PARAMETER	CONDITIONS	MIN	TYP.	MAX	UNIT
V _{(BR)CEO}	Collector-Emitter Breakdown Voltage	I _C = 25mA ; R _{BE} = ∞	120			V
V _{(BR)CBO}	Collector-Base Breakdown Voltage	I _C = 0.1mA; I _E = 0	120			V
V _{(BR)EBO}	Emitter-Base Breakdown Voltage	I _E = 50mA; I _C = 0	7			V
V _{CE(sat)-1}	Collector-Emitter Saturation Voltage	I _C = 1.5A; I _B = 3mA			1.5	V
V _{CE(sat)-2}	Collector-Emitter Saturation Voltage	I _C = 3A; I _B = 30mA			3.0	V
V _{BE(sat)-1}	Base-Emitter Saturation Voltage	I _C = 1.5A; I _B = 3mA			2.0	V
V _{BE(sat)-2}	Base-Emitter Saturation Voltage	I _C = 3A; I _B = 30mA			3.5	V
I _{CBO}	Collector Cutoff Current	V _{CB} = 100V; I _E = 0			10	μ A
I _{CEO}	Collector Cutoff Current	V _{CE} = 100V; R _{BE} = ∞			10	μ A
h _{FE}	DC Current Gain	I _C = 1.5A; V _{CE} = 3V	1000		20000	