

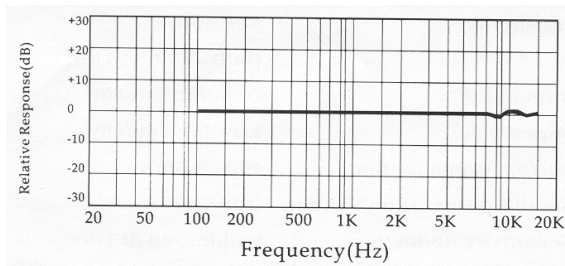
# Soberton Inc.

## EM6009-FC – Omnidirectional Front Electret Condenser Microphone

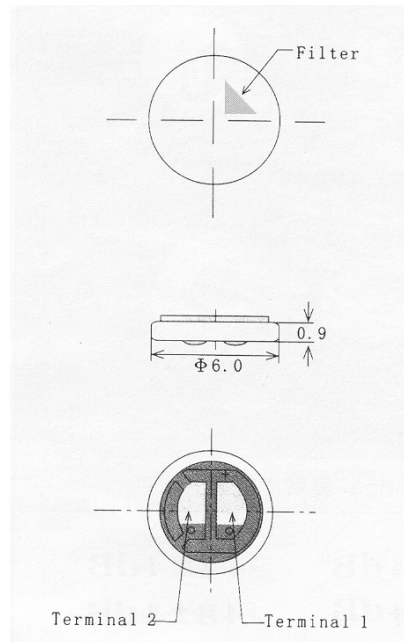


Sensitivity	0dB = 1V/Pa. 1KHz
Directivity	Omnidirectional
Impedance	Low Impedance
Current Consumption	Max. 0.5mA
Standard Operation Voltage	2.0V
Sensitivity Reduction	Within -3dB at 1.5V
S/N Ratio	More than 56dB
Sensitivity Range	-46 ± 4dB, -48 ± 4dB, -50 ± 4dB, -52 ± 4dB

### Typical Frequency Response Curve:



Unit: mm



### Schematic Diagram:

