

DESCRIPTION

The PT5102P is a 1-channel low-saturation bi-directional motor driver IC. The design is optimal for motor applications, such as cameras, printers, FDDs, or other portable devices with forward, reverse, brake and stand-by function.

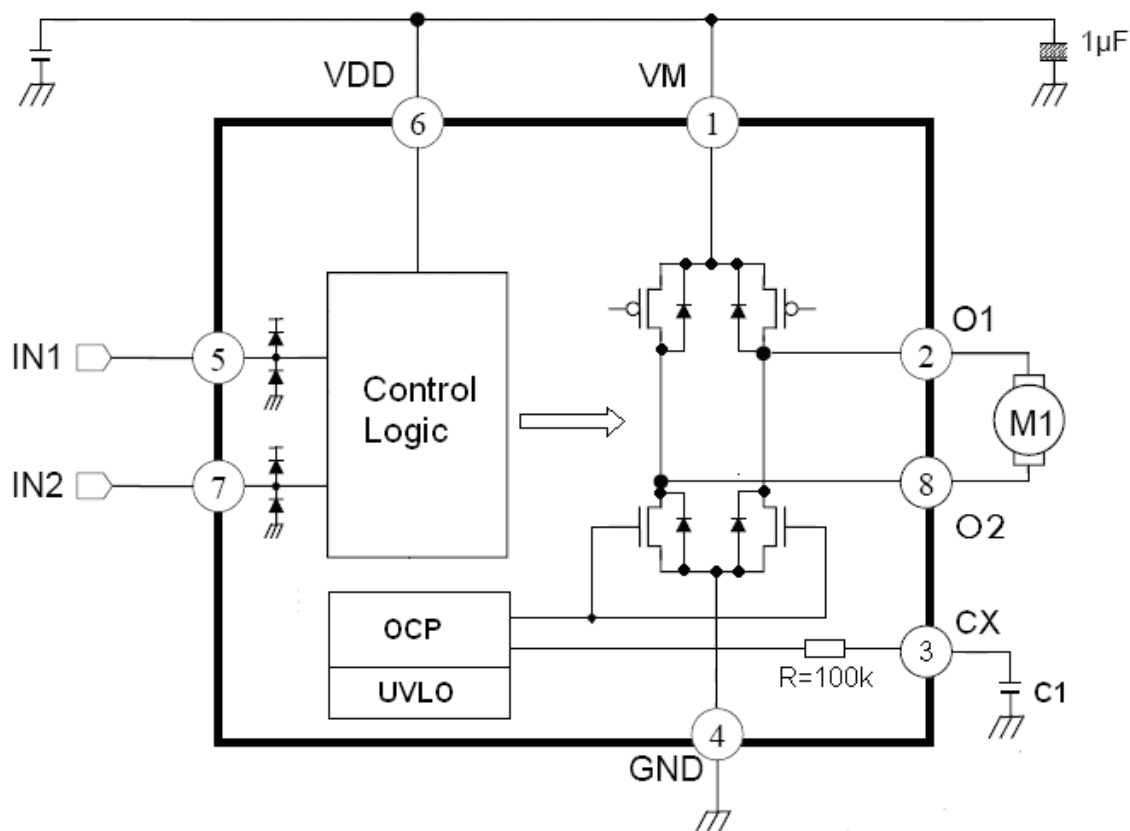
APPLICATION

- Medical equipments

FEATURES

- H-Bridge drive, low ON resistance (Upper transistor + low transistor resistance: 1.3Ω typ. At 200mA , VDD = VM = 3.3V)
- Low input current
- Built in Over current protection circuit (OCP)
- Built in Under voltage lockout circuit (UVLO)
- Brake function
- High output sinking and driving capability
- Thin, highly reliable package (MSOP-8)

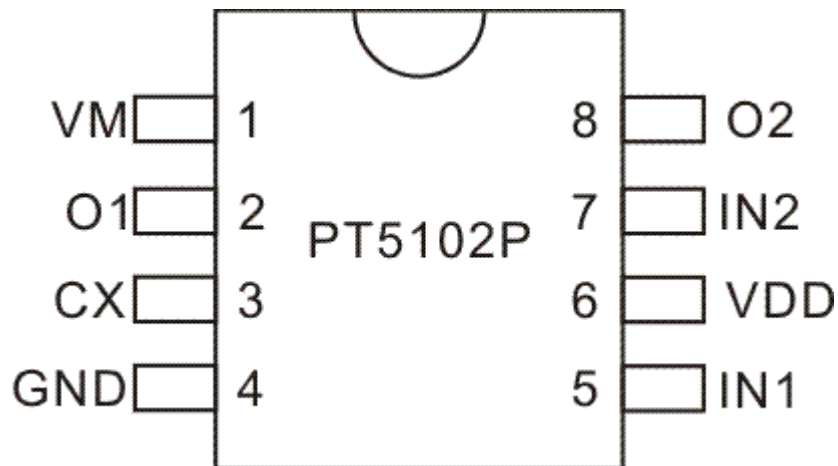
BLOCK DIAGRAM & APPLICATION CIRCUIT



ORDER INFORMATION

Valid Part Number	Package Type	Top Code
PT5102P	8 Pins, MSOP, 118MIL	PT5102P

PIN CONFIGURATION



PIN DISCRIPTION

Pin Name	Description	Pin No.
VM	Power supply pin for output driver	1
O1	Output sinking / driving pin	2
CX	Capacitance terminal for start inrush current	3
GND	Ground pin	4
IN1	Input pin that determines driving mode	5
VDD	Power supply pin for controller.	6
IN2	Input pin that determines driving mode	7
O2	Output sinking / driving pin	8

IMPORTANT NOTICE

Princeton Technology Corporation (PTC) reserves the right to make corrections, modifications, enhancements, improvements, and other changes to its products and to discontinue any product without notice at any time.

PTC cannot assume responsibility for use of any circuitry other than circuitry entirely embodied in a PTC product. No circuit patent licenses are implied.

Princeton Technology Corp.
2F, 233-1, Baociao Road,
Sindian, Taipei 23145, Taiwan
Tel: 886-2-66296288
Fax: 886-2-29174598
<http://www.princeton.com.tw>