

## IEC Rectangular Distribution Units

### COMPACT DISTRIBUTION UNIT



**PXD200**

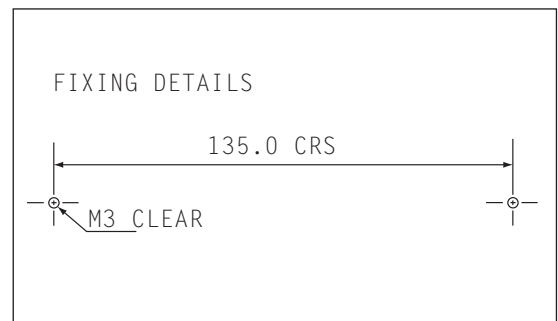
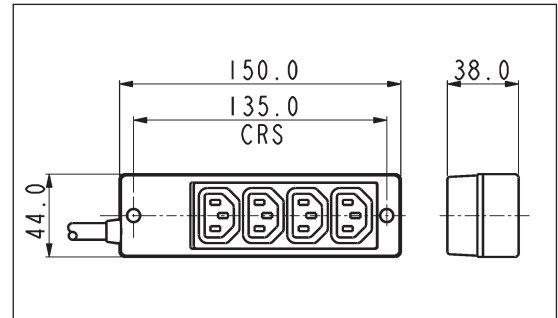
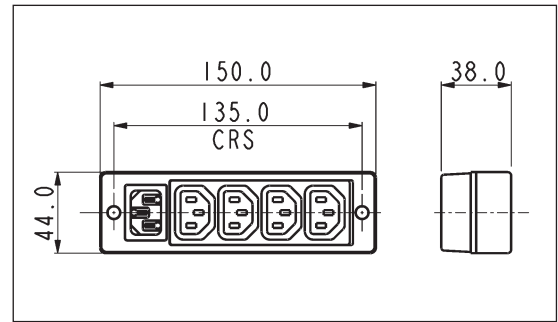
- Four Outlets
- EN60320 Inlet
- 10A, 250V ac
- cULus Approval

### COMPACT DISTRIBUTION UNIT



**PXD201**

- Four Outlets
- 2m Cable with BS1363 connector, Schuko connector (CEE7) or NEMA 5/15 connector
- 10A, 250V a.c.



### Specification

Mouldings:	Thermoplastic
Housing:	ABS, UL94V-0
Connectors:	BS1363, CEE7, NEMA 5/15
Contacts:	Outlets: Brass, Tin Plated Inlets: Brass, Nickel Plated
Voltage Rating:	250V a.c. 50/60Hz
Current Rating:	10A
Proof Voltage:	2kV
Temp. Range:	-5°C to +60°C
Approvals:	cULus Listed (PXD200)
<b>RoHS</b>	Compliant

Part No.	Inlet	Outlet
PXD200	1	4
PXD201	2m cable with BS 1363 plug	4
PXD201/1	2m cable with Schuko plug	4
PXD201/2	2m cable with NEMA 5/15	4