

LVDS Interface ICs



4bit LVDS Driver

BU90LV047A

●Description

LVDS Interface IC of ROHM "Serializer" "Deserializer" operate from 8MHz to 150MHz wide clock range, and number of bits range is from 35 to 70. Data is transmitted seven times (7X) stream and reduce cable number by 3(1/3) or less. The ROHM's LVDS has low swing mode to be able to expect further low EMI.

Driver and Receiver of 4 bits operate to 250MHz. It can be used for a variety of purposes, home appliances such as LCD-TV, business machines such as decoders, instruments, and medical equipment.

●Features

- >500 Mbps (250 MHz) switching rates
- Flow-through pinout simplifies PCB layout.
- 300 ps typical differential skew
- 400 ps maximum differential skew
- 2.8 ns maximum propagation delay
- 3.3V power supply design
- $\pm 200\text{mV}$ and $\pm 350\text{mV}$ Selectable differential signaling
- Interoperable with existing 5V LVDS receivers
- High impedance on LVDS outputs on power down
- Conforms to TIA/EIA-644 LVDS Standard
- Industrial operating temperature range (-40°C to $+85^{\circ}\text{C}$)

●Applications

Car Navigation System
Copier
Digital TV (Signal System)
FA equipment
Medical equipment
Vending machine, Ticket vending machine

●Precaution

- This chip is not designed to protect from radioactivity.
- This document may be used as strategic technical data which subjects to COCOM regulations.

Jun.2008

● Block Diagram

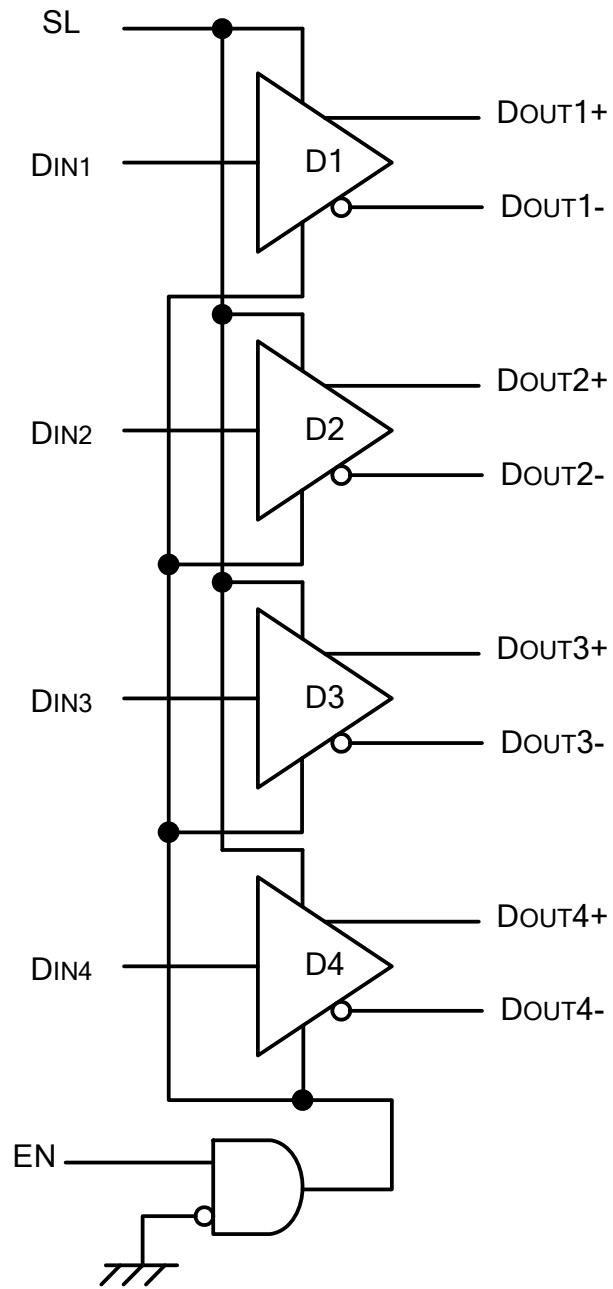
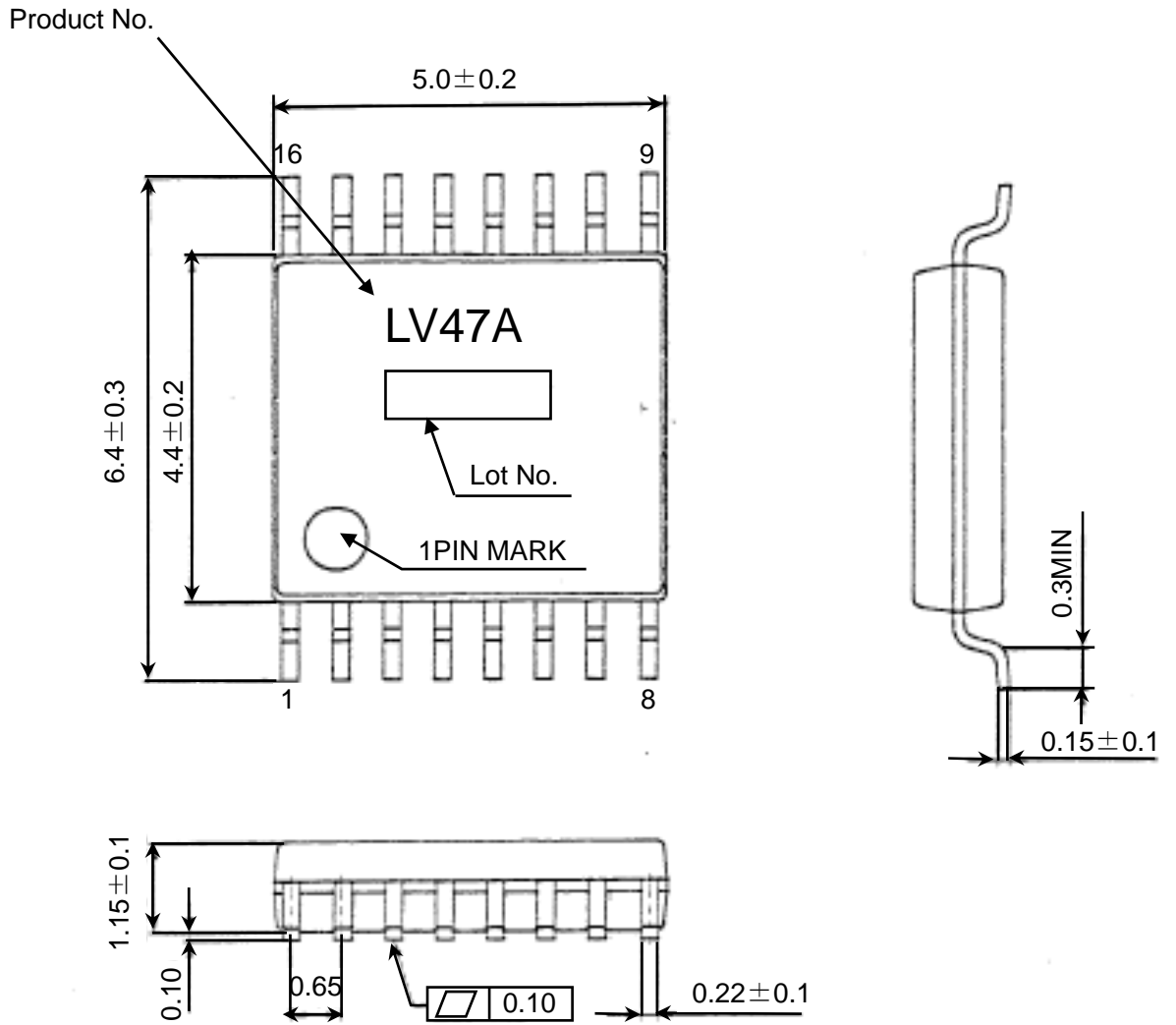


Figure 1. Block Diagram

●SSOP-B16 Package Outline and Specification



(UNIT:mm)

Figure 2. SSOP-B16 Package Outline and Specification

● Pin Configuration

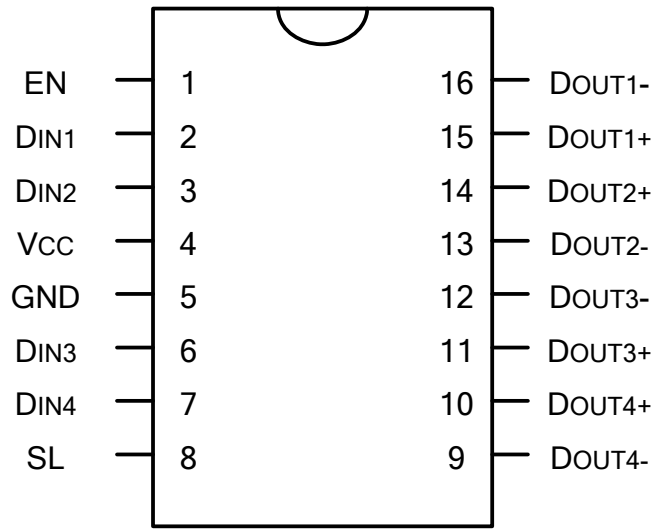


Figure 3. Pin Diagram (Top View)

● Pin Description

Table 1 : Pin Description

Pin Name	Pin No.	Type	Descriptions
DIN	2, 3, 6, 7	LVC MOS In	Driver input pin, LVC MOS compatible
DOUT+	10, 11, 14, 15	LVDS Out	Non-inverting driver output pin, LVDS levels
DOUT-	9, 12, 13, 16	LVDS Out	Inverting driver output pin, LVDS levels
SL	8	LVC MOS In	Swing Level select pin : When SL is high, the driver is reduce swing level (200mV). When SL is low or open, the driver is normal swing level (350mV).
EN	1	LVC MOS In	Driver enable pin: When EN is low or open, the driver is disabled. When EN is high, the driver is enabled.
VCC	4	Power	Power supply pin, $3.3V \pm 0.3V$
GND	5	GND	Ground pin

● Function Description

		INPUT	OUTPUTS		Swing Level
EN	SL	DIN	DOUT+	DOUT-	
H	L or Open	L	L	H	350mV
		H	H	L	
H	H	L	L	H	200mV
		H	H	L	
All other combinations of EN, SL inputs		X	Z	Z	

● Absolute Maximum Ratings

Item	Symbol	Value		Unit
		Min.	Max.	
Supply voltage	VCC	-0.3	4.0	V
Input voltage	VIN	-0.3	VCC+0.3	V
Output voltage	VOUT	-0.3	VCC+0.3	V
Storage temperature range	Tstg	-55	125	°C

● Package Power

Package	PD(mW)	DERATING(mW/°C) ※1
SSOP-B16	400	4.0
	450*2	4.5*2

※1 At temperature $T_a > 25^\circ\text{C}$

※2 Package power when mounting on the PCB board.

The size of PCB board : $70 \times 70 \times 1.6$ (mm³)

The material of PCB board : The FR4 glass epoxy board.(3% or less copper foil area)

● Recommended Operating Conditions

Item	Symbol	Value			Unit	Condition
		Min.	Typ.	Max.		
Supply voltage	Vcc	3.0	3.3	3.6	V	
Operating temperature range	Topr	-40	-	85	°C	

● DC Characteristics

Symbol	Parameter	Conditions	Pin	Min	Typ	Max	Units
V_{OD1}	Differential Output Voltage	SL = GND, $R_L = 100\ \Omega$ (Figure 4)	D_{OUT-} D_{OUT+}	250	350	450	mV
V_{OH1}	Output High Voltage			–	1.42	1.6	V
V_{OL1}	Output Low Voltage			0.90	1.08	–	V
V_{OD2}	Differential Output Voltage	SL = V_{CC} , $R_L = 100\ \Omega$ (Figure 4)		120	200	300	mV
V_{OH2}	Output High Voltage			–	1.35	1.50	V
V_{OL2}	Output Low Voltage			1.00	1.15	–	V
ΔV_{OD}	Change in Magnitude of V_{OD} for Complementary Output States	SL = V_{CC} or GND,		–	1	35	mV
V_{OS}	Offset Voltage	$R_L = 100\ \Omega$ (Figure 4)		1.125	1.25	1.375	V
ΔV_{OS}	Change in Magnitude of V_{OS} for Complementary Output States			–	1	25	mV
V_{IH}	Input High Voltage		D_{IN}	$V_{CC} \times 0.8$	–	V_{CC}	V
V_{IL}	Input Low Voltage		SL	GND	–	$V_{CC} \times 0.2$	V
I_I	Input Current	$V_{IN} = 0V$ or V_{CC} , Other Input = V_{CC} or GND	EN	–10	–	+10	μA
V_{CL}	Input Clamp Voltage	$I_{CL} = -18mA$		–1.5	–0.8	–	V
I_{OS}	Output Short Circuit Current	ENABLED, $D_{IN} = V_{CC}$, $D_{OUT+} = 0V$ or $D_{IN} = GND$, $D_{OUT-} = 0V$	D_{OUT-} D_{OUT+}	–	–5.4	–9.0	mA
I_{OSD}	Differential Output Short Circuit Current	ENABLED, $V_{OD} = 0V$		–	–5.4	–9.0	mA
I_{OFF}	Power-off Leakage	$V_{OUT} = 0V$ or 3.6V, $V_{CC} = 0V$ or Open		–20	± 1	+20	μA
I_{CC}	No Load Supply Current Drivers Enabled	$D_{IN} = V_{CC}$ or GND	V_{CC}	–	20	–	mA
I_{CCL}	Load Supply Current Drivers Enabled	$R_L = 100\ \Omega$ All Channels, $D_{IN} = V_{CC}$ or GND (all outputs)		–	20	–	mA
I_{CCZ}	No Load Supply Current Drivers Disabled	$D_{IN} = V_{CC}$ or GND, EN = GND, SL = GND		–	3	–	mA

● Switching Characteristics

$V_{CC} = +3.3V \pm 0.3V$, $T_{opr} = -40^{\circ}C$ to $+85^{\circ}C$

Symbol	Parameter	Conditions	Min	Typ	Max	Units
t_{PHLD}	Differential Propagation Delay High to Low	$R_L = 100\Omega$, $C_L = 15pF$ (Figure 5 and Figure 6)	0.5	1.7	2.8	ns
t_{PLHD}	Differential Propagation Delay Low to High		0.5	1.7	2.8	ns
t_{SKD1}	Differential Pulse Skew $ t_{PHLD} - t_{PLHD} $		0	0.3	0.4	ns
t_{SKD2}	Channel-to-Channel Skew		0	0.4	0.5	ns
t_{SKD3}	Differential Part to Part Skew		0	-	1.0	ns
t_{SKD4}	Differential Part to Part Skew		0	-	1.2	ns
t_{TLH}	Rise Time		-	0.5	1.5	ns
t_{THL}	Fall Time	-	0.5	1.5	ns	
t_{PHZ}	Disable Time High to Z	$R_L = 100\Omega$, $C_L = 15pF$ (Figure 7 and Figure 8)	-	2	5	ns
t_{PLZ}	Disable Time Low to Z		-	2	5	ns
t_{PZH}	Enable Time Z to High		-	3	7	ns
t_{PZL}	Enable Time Z to Low		-	3	7	ns
f_{Max}	Maximum Operating Frequency		250	-	-	MHz

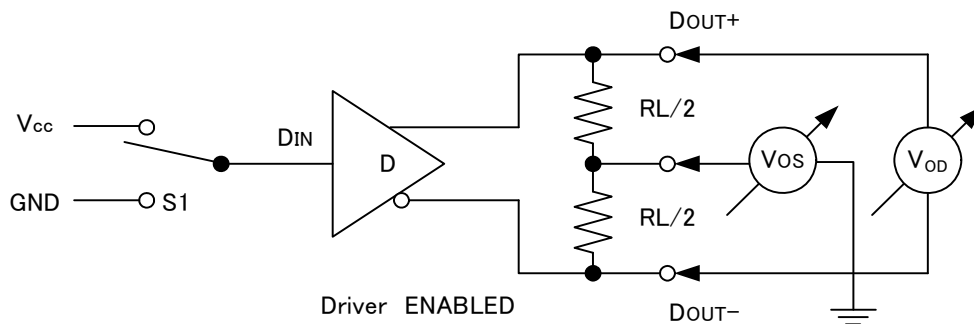


Figure 4. Driver VOD and VOS Test Circuit

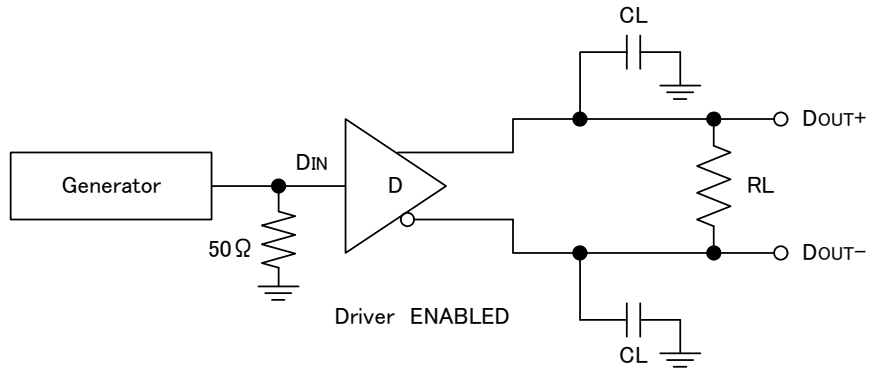


Figure 5. Driver Propagation Delay and Transition Time Test Circuit

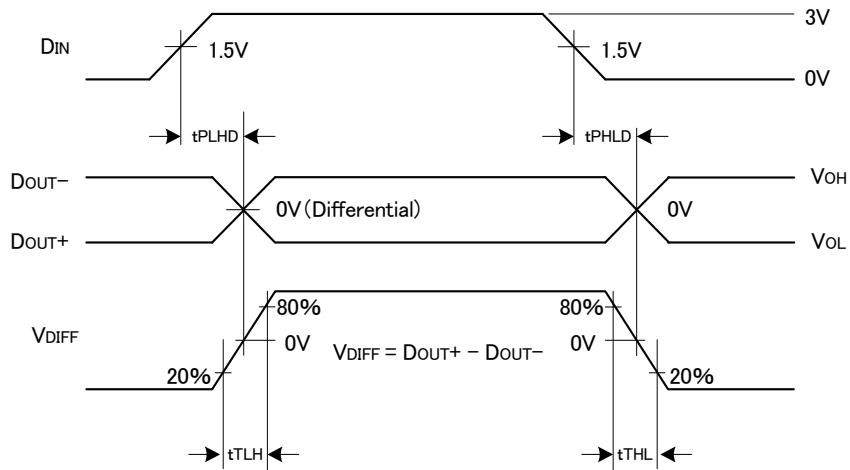


Figure 6. Driver Propagation Delay and Transition Time Waveforms

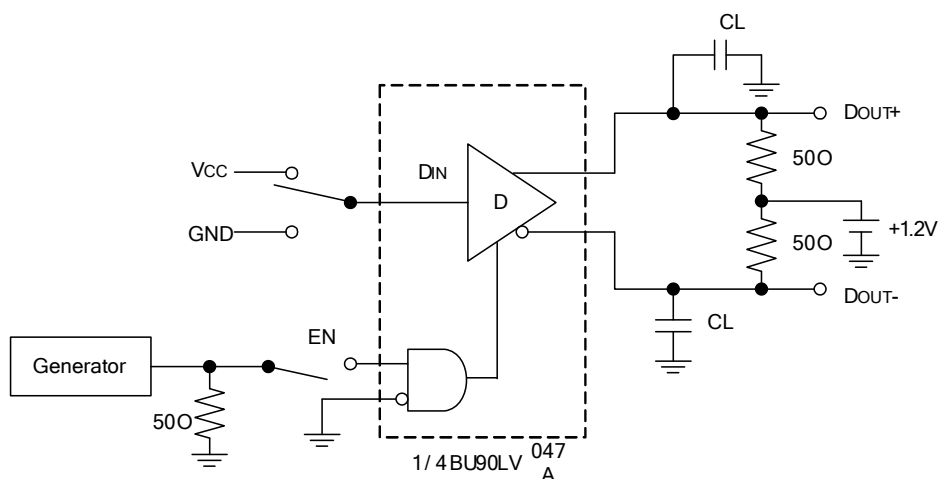


Figure 7. Driver 3-STATE Delay Test Circuit

Parameter Measurement Information (Continued)

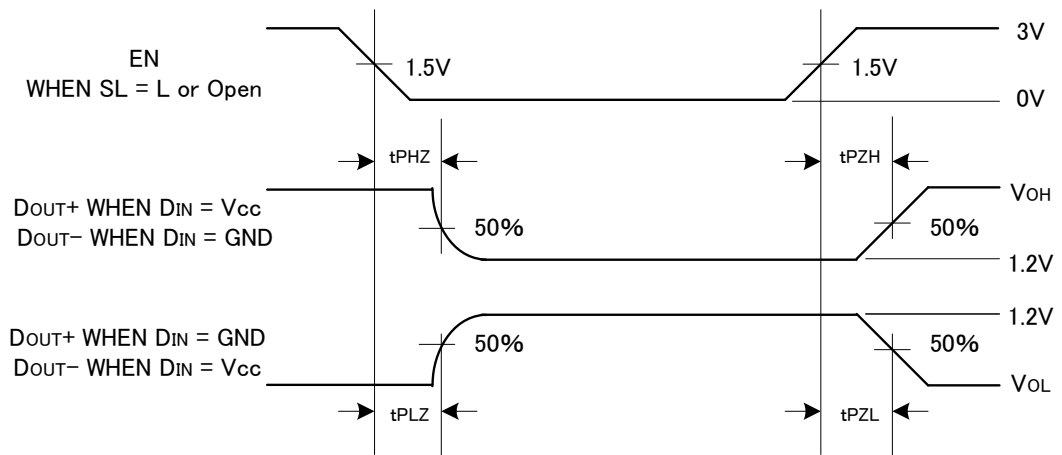


Figure 8. Driver 3-STATE Delay Waveform

Typical Application



Figure 9. Point-to-Point Application

Typical Application (Continued)

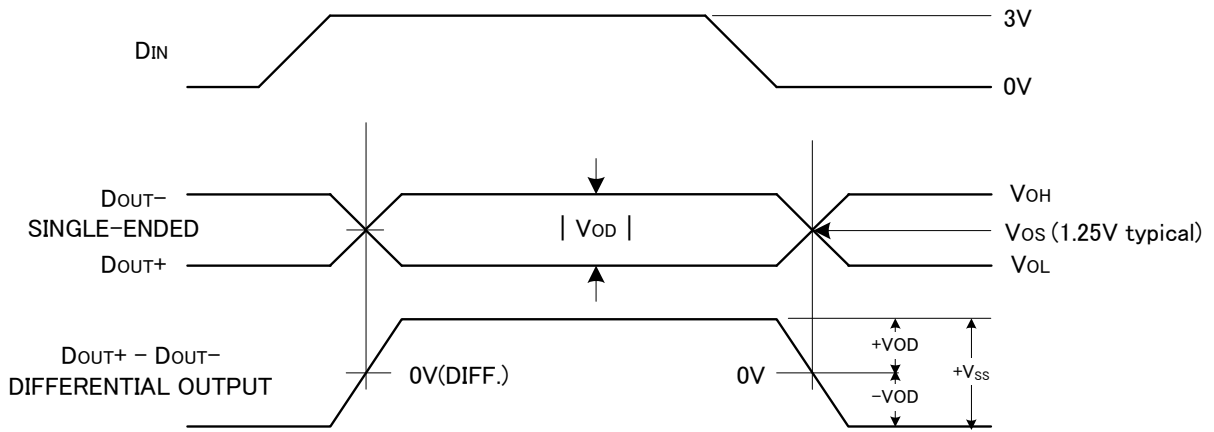


Figure 10. Driver Output Levels

- The contents described herein are correct as of June, 2008
- The contents described herein are subject to change without notice. For updates of the latest information, please contact and confirm with ROHM CO.,LTD.
- Any part of this application note must not be duplicated or copied without our permission.
- Application circuit diagrams and circuit constants contained herein are shown as examples of standard use and operation. Please pay careful attention to the peripheral conditions when designing circuits and deciding upon circuit constants in the set.
- Any data, including, but not limited to application circuit diagrams and information, described herein are intended only as illustrations of such devices and not as the specifications for such devices. ROHM CO.,LTD. disclaims any warranty that any use of such devices shall be free from infringement of any third party's intellectual property rights or other proprietary rights, and further, assumes no liability of whatsoever nature in the event of any such infringement, or arising from or connected with or related to the use of such devices.
- Upon the sale of any such devices, other than for buyer's right to use such devices itself, resale or otherwise dispose of the same, implied right or license to practice or commercially exploit any intellectual property rights or other proprietary rights owned or controlled by ROHM CO., LTD. is granted to any such buyer.
- The products described herein utilize silicon as the main material.
- The products described herein are not designed to be X ray proof.

The products listed in this catalog are designed to be used with ordinary electronic equipment or devices (such as audio visual equipment, office-automation equipment, communications devices, electrical appliances and electronic toys). Should you intend to use these products with equipment or devices which require an extremely high level of reliability and the malfunction of which would directly endanger human life (such as medical instruments, transportation equipment, aerospace machinery, nuclear-reactor controllers, fuel controllers and other safety devices), please be sure to consult with our sales representative in advance.

Contact us for further information about the products.

Excellence in Electronics

ROHM

ROHM CO., LTD.

21, Saiin Mizosaki-cho, Ukyo-ku, Kyoto
615-8585, Japan
TEL: +81-75-311-2121 FAX: +81-75-315-0172
URL: <http://www.rohm.com>

Published by
LSI Business Promotion Dept.

San Diego	TEL: +1-858-625-3630	FAX: +1-858-625-3670
Atlanta	TEL: +1-770-754-5972	FAX: +1-770-754-0691
Boston	TEL: +1-978-371-0382	FAX: +1-928-438-7164
Chicago	TEL: +1-847-368-1006	FAX: +1-847-368-1008
Dallas	TEL: +1-469-287-5366	FAX: +1-469-362-7973
Denver	TEL: +1-303-708-0908	FAX: +1-303-708-0858
Detroit	TEL: +1-248-348-9920	FAX: +1-248-348-9942
Nashville	TEL: +1-615-620-6700	FAX: +1-615-620-6702
Mexico	TEL: +52-33-3123-2001	FAX: +52-33-3123-2002
Düsseldorf	TEL: +49-2154-9210	FAX: +49-2154-921400
Munich	TEL: +49-8161-48310	FAX: +49-8161-483120
Stuttgart	TEL: +49-711-72723710	FAX: +49-711-72723720
France	TEL: +33-1-5697-3060	FAX: +33-1-5697-3080
United Kingdom	TEL: +44-1-908-306700	FAX: +44-1-908-235788
Denmark	TEL: +45-3694-4739	FAX: +45-3694-4789
Barcelona	TEL: +34-9375-24320	FAX: +34-9375-24410
Hungary	TEL: +36-1-4719338	FAX: +36-1-4719339
Poland	TEL: +48-22-5757213	FAX: +48-22-5757001
Russia	TEL: +7-95-980-6755	FAX: +7-95-937-8290
Seoul	TEL: +82-2-8182-700	FAX: +82-2-8182-715
Masarn	TEL: +82-55-240-6234	FAX: +82-55-240-6236
Dalian	TEL: +86-411-8230-8549	FAX: +86-411-8230-8537
Beijing	TEL: +86-10-8525-2483	FAX: +86-10-8525-2489
Tianjin	TEL: +86-22-23029181	FAX: +86-22-23029183

Shanghai	TEL: +86-21-6279-2727	FAX: +86-21-6247-2066
Hangzhou	TEL: +86-571-87658072	FAX: +86-571-87658071
Nanjing	TEL: +86-25-8689-0015	FAX: +86-25-8689-0393
Ningbo	TEL: +86-574-87654201	FAX: +86-574-87654208
Qingdao	TEL: +86-532-5779-312	FAX: +86-532-5779-653
Suzhou	TEL: +86-512-6807-1300	FAX: +86-512-6807-2300
Wuxi	TEL: +86-510-82702693	FAX: +86-510-82702992
Shenzhen	TEL: +86-755-8307-3008	FAX: +86-755-8307-3003
Dongguan	TEL: +86-769-8393-3320	FAX: +86-769-8398-4140
Fuzhou	TEL: +86-591-8801-8698	FAX: +86-591-8801-8690
Guangzhou	TEL: +86-20-8364-9796	FAX: +86-20-8364-9707
Huizhou	TEL: +86-752-205-1054	FAX: +86-752-205-1059
Xiamen	TEL: +86-592-238-5705	FAX: +86-592-238-8380
Zhuhai	TEL: +86-756-3232-480	FAX: +86-756-3232-460
Hong Kong	TEL: +852-2-740-6262	FAX: +852-2-375-8971
Taipei	TEL: +886-7-237-0881	FAX: +886-7-238-7332
Kaohsiung	TEL: +886-7-237-0881	FAX: +886-7-238-7332
Singapore	TEL: +65-6332-2322	FAX: +65-6332-5662
Philippines	TEL: +63-2-807-6872	FAX: +63-2-809-1422
Thailand	TEL: +66-2-254-4890	FAX: +66-2-256-6334
Kuala Lumpur	TEL: +60-3-7958-8355	FAX: +60-3-7958-8377
Penang	TEL: +60-4-2286453	FAX: +60-4-2286452
Kyoto	TEL: +81-75-365-1218	FAX: +81-75-365-1228
Yokohama	TEL: +81-45-476-2290	FAX: +81-45-476-2295