

UNIVERSAL ADAPTOR PLATE

AM-60561 11-31-2176

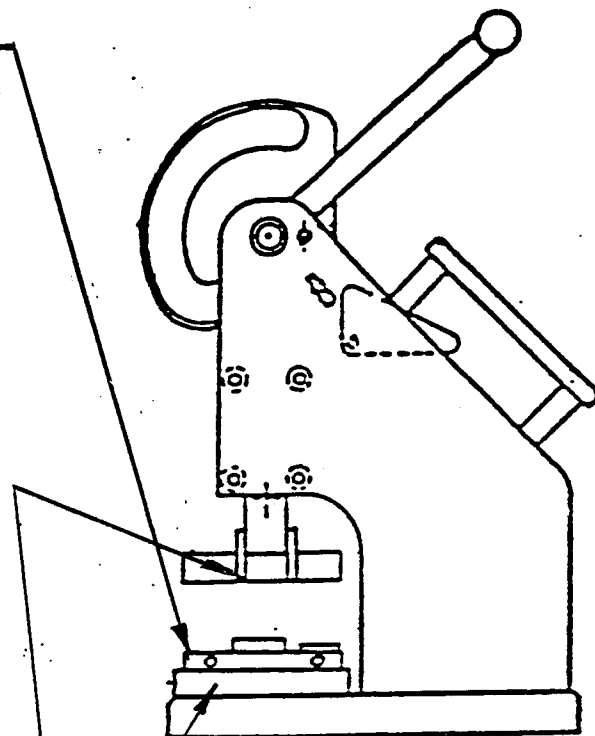
Assembling Universal Adapter Plate Assembly AM-60561
(11-31-2176) (See Fig. 4)

1. Place AM-60561-1 (11-31-2177) fixture plate in press and fasten in place with two (2) #10 - 32 x 5/8" lg. socket head cap screws.
2. Place AM-60561-3 (11-31-2179) side plate on right side of fixture plate and fasten with two (2) #8 - 32 x 3/8 lg. button head cap screws.
3. Place AM-60561-4 (11-31-2180) cable insert in slot on right side of fixture plate. (NOTE: this insert must slide freely in slot.)
4. AM-60561-2 (11-31-2178) cable stop to be placed on housing insert, depending on which change tooling kit is used.

ASSEMBLY PRESS TOOLING OPTIONS

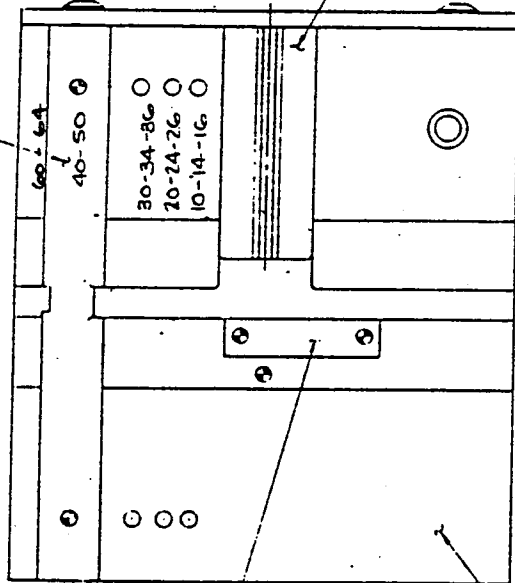
Tooling Options

- AM-60561 (11-31-2176)
Universal Adapter Plate Assembly
for 40312, 70121, 71007, 5320, 5350,
5360, 5370, 5380, 71521, 71522, 71527-31
- AM-60007 (11-31-5557)
Change Parts for 71522
Connectors
- AM-60008 (11-31-5555)
Change Parts for 71521
Connectors
- AM-60043 (11-21-9391)
Change Part Kit for 71527, 71528
71530 & 71531 Conn. 9 - 37 ckt.
- AM-60552 (11-31-2181)
Change Part Kit for 40312 & 70121
Connectors 10 - 64 ckt.
- AM-60555 (11-31-2184)
Change Part Kit for 71007 Connec-
tors 10 - 50 ckt.
(Consult Eng. Dept. for 60 - 64 ckt.
connectors)
- AM-60566 (11-31-2187)
Change Part Kit for 5350, 5360,
5370 & 5380 Conn. 10 - 64 ckt.
- AM-60567 (11-31-2335)
Change Part Kit for 5320 Connec-
tors 10 - 60 ckt.
- AM-63125 (11-21-9746)
Change Part Kit for 70720 & 70721
DL-50 CONNECTOR. 24, 36 & 50 ckt.



AM 60042 11-20-0947
RIBBON CABLE TOOLING ADAPTOR

FIGURE RAIL
(CHANGE PART)



CABLE STOP ②

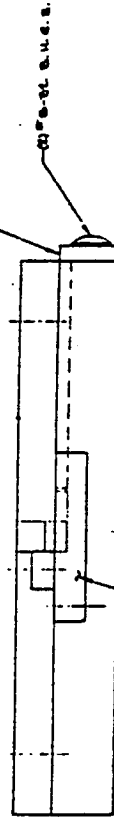
FIGURE PLATE ①

④ CABLE INSERT

PLATE N
(CHANGE PART)



③ SIDE PLATE



HOUSING INSERT
(CHANGE PART)

CONNECTOR	CHANGE PART NO. FIGURE NUMBER	PLATE N	STANDARD SUPPLIED WITH PRESS
40814	AM-60862 11-31-2161		
70121	AM-60867 11-31-3335		
8320	AM-60865 11-31-2164		
71007			
5350			
8860	AM-60506 11-31-2167		
6370			
6380			
71321	AM-60008 11-31-5555		STANDARD SUPPLIED WITH PRESS
71522	AM-60007 11-31-5557		STANDARD SUPPLIED WITH PRESS

* FOR 60-64 CIRC. CONNECTORS YOU MUST HAVE LONGER PLATE N-3.75" AM-4100-82 DIM. B"

CONNECTOR	CHANGE PART NO. FIGURE NUMBER	PLATE N	STANDARD SUPPLIED WITH PRESS
40814	AM-60862 11-31-2161		
70121	AM-60867 11-31-3335		
8320	AM-60865 11-31-2164		
71007			
5350			
8860	AM-60506 11-31-2167		
6370			
6380			
71321	AM-60008 11-31-5555		STANDARD SUPPLIED WITH PRESS
71522	AM-60007 11-31-5557		STANDARD SUPPLIED WITH PRESS

UNIVERSAL ADAPTER
PLATE ASSEMBLY

(FIG.4)