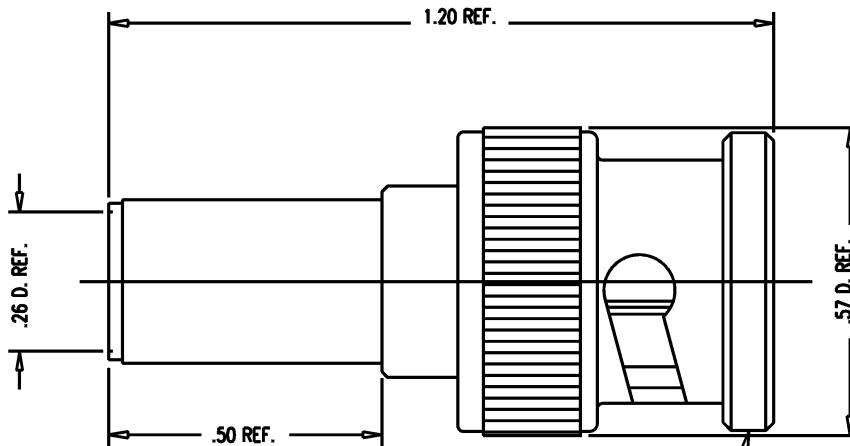


DASH NO.	M CODE	MADE FROM
----------	--------	-----------

SD

2025-76-9

REVISIONS	
ISSUE	CHANGES
0	ER 36507 ME 08/09/95
1	CN 36727 A KH 12/21/95
2	CN 38060 C HVN 08/10/00



STAMP: KINGS 2025-76-9

NOTES:

- FOR USE WITH TYPE 734 CABLE.
- FOR CRIMPING USE DIE KTH-2186.
- FOR CABLING INSTRUCTIONS SEE 3-683 (BULK PACKAGING) OR 3-681 (BAG PACKAGING).
- CENTER CONTACT AND SLEEVE TO BE SUPPLIED UNASSEMBLED.
- MARK PACKAGE: KINGS 2025-76-9
XX XX (DATE CODE)
- INTERFACE PER MIL-STD-348, FIG. 301-1 (AS APPLICABLE).
- MATERIAL:
 - INSULATOR: TEFLON
 - GASKET: SILICONE RUBBER
 - K-GRIP SLEEVE: COM'L BRONZE
 - SPRING WASHER } BERYLLIUM COPPER
 - OUTER CONTACT }
 - ALL OTHER METAL PARTS: BRASS
- FINISHES:
 - CENTER CONTACT: HARD GOLD PLATE
 - SPRING WASHER: SILVER PLATE
 - ALL OTHER METAL PARTS: NICKEL PLATE
- ELECTRICAL CHARACTERISTICS:
 - NOMINAL IMPEDANCE: 75 ~W
 - FREQUENCY RANGE: DC TO 2 GHz
 - WORKING VOLTAGE: 500 VOLTS RMS

QGS0743

SCALE	4:1	
APPROX SURFACE AREA		
USED ON		
REF:	PLUG, 75~W BNC, M	
DRAWN	ME	08/09/95
DESIGN	VLS	DATE 08/09/95
APPR.	VLS	DATE 08/17/95

KINGS
ELECTRONICS CO., INC.
TUCKAHOE, NEW YORK 10707

2025-76-9

SD