

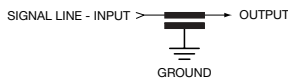
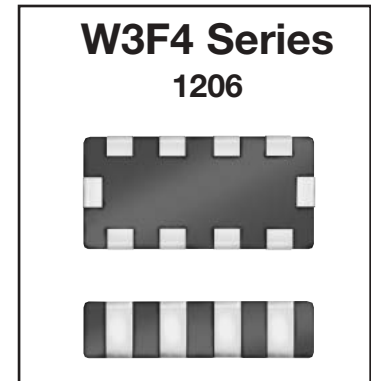
Feedthru 0805/1206 Capacitors



W3F4 Series - 4 Element 1206 Feedthru Array

GENERAL DESCRIPTION

The Feedthru Capacitor Array contains four elements with a common ground connection. This makes them an ideal choice for Multi-line designs needing EMI suppression, broadband I/O filtering or Vcc power line conditioning. Additional benefits are reduced component count and PCB space savings. The unique construction provides low parallel inductance and offers excellent decoupling capability for all high di/dt environments. It provides significant noise reduction in digital circuits to <5 GHz. A number of capacitor values are available in NP0 and X7R ceramic dielectrics.



CAPACITOR VALUES

Part Number	Size	Voltage	Dielectric	Capacitance
W3F41A 220 8ATxx	1206	100V	NP0	22pF
W3F41A 470 8ATxx	1206	100V	NP0	47pF
W3F41A 101 8ATxx	1206	100V	NP0	100pF
W3F45C 221 8ATxx	1206	50V	X7R	220pF
W3F45C 471 8ATxx	1206	50V	X7R	470pF

PERFORMANCE CHARACTERISTICS

	NP0	X7R
Capacitance Tolerance	+50%, -20%	+50%, -20%
Voltage Rating	100V	50V
Current Rating	300mA	300mA
Insulation Resistance	1000MΩ	1000MΩ
DC Resistance	<0.6Ω	<0.6Ω
Operating Temperature Range	-55 to +125°C	

HOW TO ORDER

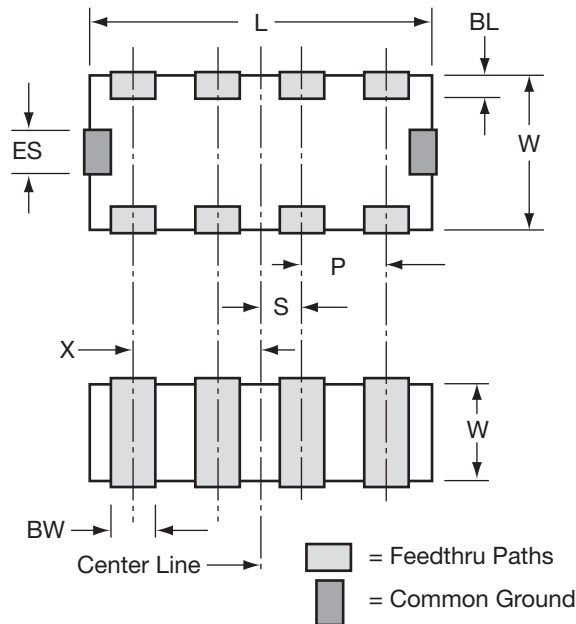
W	3	F	4	5	C	223	8	A	T	3	A
Style	Size	Feedthru	Number of Elements	Voltage*	Dielectric	Capacitance Code	Capacitance Tolerance	Failure Rate	Terminations	Packaging Code (Reel Size)	Quantity Code (Pcs./Reel)
	2=0805 3=1206			1=100v 5=50v	A=NP0 C=X7R		8=+50/-20%	A=Not Applicable	T=Plated	1=7" Reel Embossed Tape 3=13" Reel Embossed Tape	F=1,000 A=2,000, 4,000 or 10,000

*Note: NP0 available in 100V only and X7R available in 50V only.

Feedthru 0805/1206 Capacitors



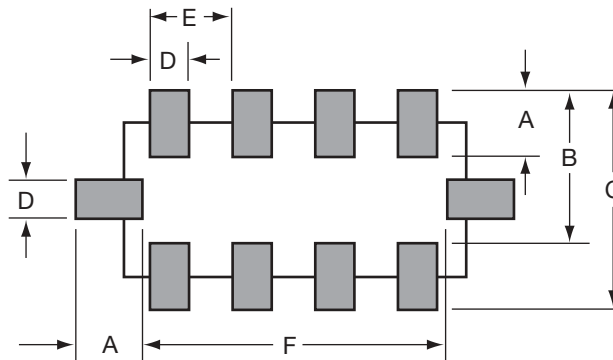
W3F4 Series - 4 Element 1206 Feedthru Array



DIMENSIONS

millimeters (inches)

L	W	T	BW	BL	P	X	S	ES
3.25±0.15 (0.128±0.006)	1.60±0.20 (0.063±0.008)	1.22 max (0.048 max)	0.41±0.10 (0.016±0.004)	0.18 ^{+0.25} _{-0.08} (0.007 ^{+0.010} _{-0.003})	0.76 ref. (0.030 ref.)	1.14±0.10 (0.045±0.004)	0.38±0.10 (0.015±0.004)	0.41±0.10 (0.016±0.004)



PAD LAYOUT DIMENSIONS

	A	B	C	D	E	F
mm	0.6	1.6	2.2	0.35	0.76	2.6
Inches	(0.024)	(0.064)	(0.088)	(0.014)	(0.030)	(0.104)

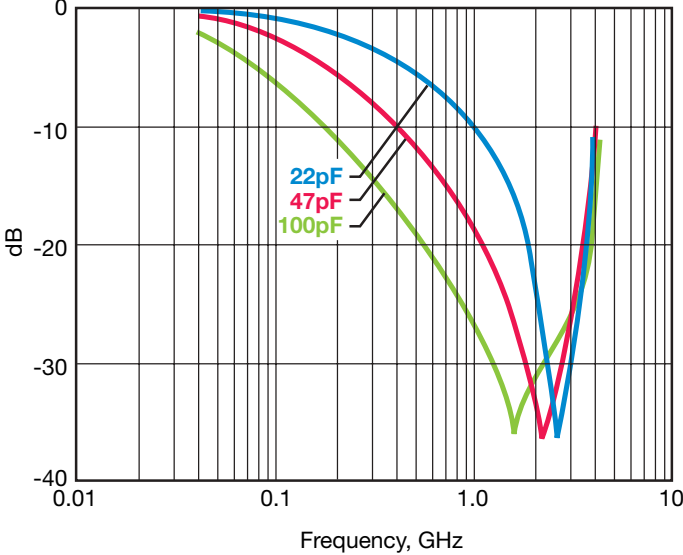
Feedthru 0805/1206 Capacitors



W3F4 Series - 4 Element 1206 Feedthru Array

PERFORMANCE CHARACTERISTICS

S21 vs. Frequency
NP0 4 Element Feedthru



S21 vs. Frequency
X7R 4 Element Feedthru

