

**PLEASE CHECK WWW.MOLEX.COM FOR LATEST PART INFORMATION**

**Part Number:** [0010101064](#)  
**Status:** **Active**  
**Overview:** [kk](#)  
**Description:** 5.08mm (.200") Pitch KK® PC Board Connector, Right Angle Mount Style A, 0.5µm (20µ") Gold (Au), 6 Circuits

**Documents:**

[3D Model](#) [Product Specification PS-99020-0087 \(PDF\)](#)  
[Drawing \(PDF\)](#) [RoHS Certificate of Compliance \(PDF\)](#)

**Agency Certification**

CSA LR19980  
 UL E29179

**General**

Product Family PCB Receptacles  
 Series [3002](#)  
 Application Board-to-Board  
 Overview [kk](#)  
 Product Name KK®

**Physical**

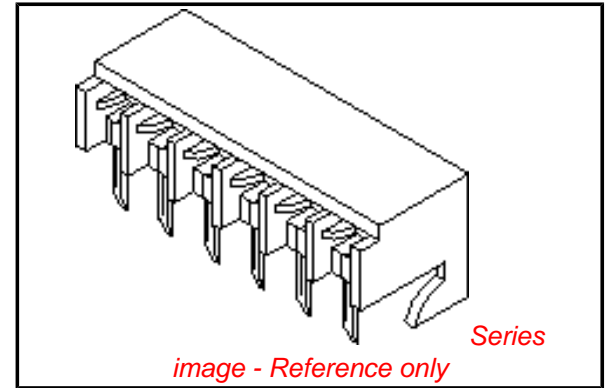
Circuits (Loaded) 6  
 Color - Resin Natural  
 Durability (mating cycles max) 25  
 Flammability 94V-2  
 Glow-Wire Compliant No  
 Material - Metal Phosphor Bronze  
 Material - Plating Mating Gold  
 Material - Plating Termination Gold  
 Material - Resin Nylon  
 Number of Rows 1  
 Orientation Right Angle  
 PC Tail Length (in) 0.169 In  
 PC Tail Length (mm) 4.30 mm  
 PCB Locator No  
 PCB Retention Yes  
 PCB Thickness Recommended (in) 0.062 In  
 PCB Thickness Recommended (mm) 1.60 mm  
 Packaging Type Tray  
 Pitch - Mating Interface (in) 0.200 In  
 Pitch - Mating Interface (mm) 5.08 mm  
 Plating min: Mating (µin) 15  
 Plating min: Mating (µm) 0.375  
 Plating min: Termination (µin) 2  
 Plating min: Termination (µm) 0.05  
 Polarized to PCB Yes  
 Temperature Range - Operating 0°C to +75°C  
 Termination Interface: Style Through Hole

**Electrical**

Current - Maximum per Contact 7A  
 Voltage - Maximum 250V

**Solder Process Data**

Lead-free Process Capability Wave Capable (TH only)



**EU RoHS**

**ELV and RoHS Compliant**  
**REACH SVHC**  
 Not Reviewed  
**Halogen-Free Status**  
**Not Reviewed**

**China RoHS**



**Need more information on product environmental compliance?**

Email [productcompliance@molex.com](mailto:productcompliance@molex.com)  
 For a multiple part number RoHS Certificate of Compliance, [click here](#)

Please visit the [Contact Us](#) section for any non-product compliance questions.

**Search Parts in this Series**

[3002Series](#)

**Mates With**

[3003](#) , [2599](#) , [3008](#)

**Material Info**

Old Part Number

300206AG

**Reference - Drawing Numbers**

Product Specification

PS-99020-0087

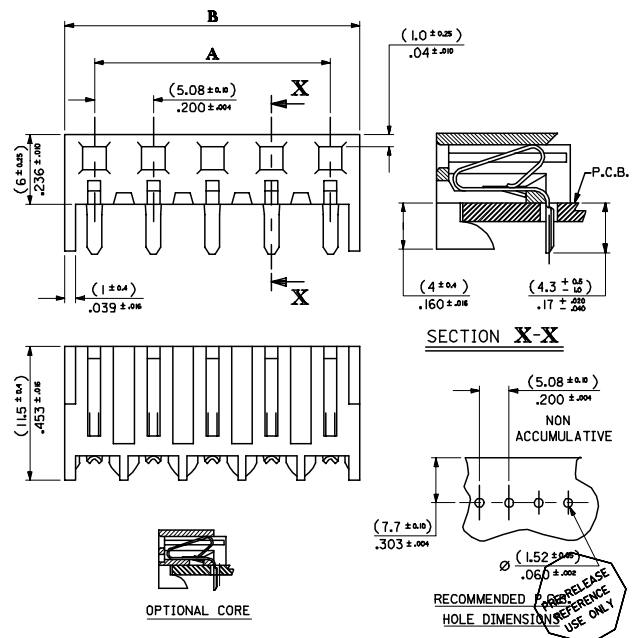
Sales Drawing

SDAE-3002-NAG

This document was generated on 05/21/2010

**PLEASE CHECK [WWW.MOLEX.COM](http://WWW.MOLEX.COM) FOR LATEST PART INFORMATION**

	10	9	8	7	6	5	4	3	2	1																																																																																																				
SEE CHART	<table border="1" style="width: 100%; border-collapse: collapse;"> <tr> <th>CCT</th> <th>PART No.</th> <th>ENG No.</th> <th>DIM A</th> <th>DIM B</th> </tr> <tr> <td>2</td> <td>10-10-1024</td> <td>AE-3002-2AG</td> <td>(5.08 ± 0.10) .200 ± .004</td> <td>(10.16 ± 0.10) .400 ± .004</td> </tr> <tr> <td>3</td> <td>-1034</td> <td>-3AG</td> <td>(10.16 ± 0.10) .400 ± .004</td> <td>(15.24 ± 0.10) .600 ± .004</td> </tr> <tr> <td>4</td> <td>-1044</td> <td>-4AG</td> <td>(15.24 ± 0.10) .600 ± .004</td> <td>(20.32 ± 0.10) .800 ± .004</td> </tr> <tr> <td>5</td> <td>-1054</td> <td>-5AG</td> <td>(20.32 ± 0.10) .800 ± .004</td> <td>(25.40 ± 0.10) 1.000 ± .004</td> </tr> <tr> <td>6</td> <td>-1064</td> <td>-6AG</td> <td>(25.40 ± 0.10) 1.000 ± .004</td> <td>(30.48 ± 0.10) 1.200 ± .004</td> </tr> <tr> <td>7</td> <td>-1074</td> <td>-7AG</td> <td>(30.48 ± 0.10) 1.200 ± .004</td> <td>(35.56 ± 0.10) 1.400 ± .004</td> </tr> <tr> <td>8</td> <td>-1084</td> <td>-8AG</td> <td>(35.56 ± 0.10) 1.400 ± .004</td> <td>(40.64 ± 0.10) 1.600 ± .004</td> </tr> <tr> <td>9</td> <td>-1094</td> <td>-9AG</td> <td>(40.64 ± 0.10) 1.600 ± .004</td> <td>(45.72 ± 0.10) 1.800 ± .004</td> </tr> <tr> <td>10</td> <td>-1104</td> <td>-10AG</td> <td>(45.72 ± 0.10) 1.800 ± .004</td> <td>(50.80 ± 0.10) 2.000 ± .004</td> </tr> <tr> <td>11</td> <td>-1114</td> <td>-11AG</td> <td>(50.80 ± 0.10) 2.000 ± .004</td> <td>(55.88 ± 0.10) 2.200 ± .004</td> </tr> <tr> <td>12</td> <td>-1124</td> <td>-12AG</td> <td>(55.88 ± 0.10) 2.200 ± .004</td> <td>(60.96 ± 0.10) 2.400 ± .004</td> </tr> <tr> <td>13</td> <td>-1134</td> <td>-13AG</td> <td>(60.96 ± 0.10) 2.400 ± .004</td> <td>(66.04 ± 0.10) 2.600 ± .004</td> </tr> <tr> <td>14</td> <td>-1144</td> <td>-14AG</td> <td>(66.04 ± 0.10) 2.600 ± .004</td> <td>(71.12 ± 0.10) 2.800 ± .004</td> </tr> <tr> <td>15</td> <td>-1154</td> <td>-15AG</td> <td>(71.12 ± 0.10) 2.800 ± .004</td> <td>(76.20 ± 0.10) 3.000 ± .004</td> </tr> <tr> <td>16</td> <td>-1164</td> <td>-16AG</td> <td>(76.20 ± 0.10) 3.000 ± .004</td> <td>(81.28 ± 0.10) 3.200 ± .004</td> </tr> <tr> <td>17</td> <td>-1174</td> <td>-17AG</td> <td>(81.28 ± 0.10) 3.200 ± .004</td> <td>(86.36 ± 0.10) 3.400 ± .004</td> </tr> <tr> <td>18</td> <td>-1184</td> <td>-18AG</td> <td>(86.36 ± 0.10) 3.400 ± .004</td> <td>(91.44 ± 0.10) 3.600 ± .004</td> </tr> <tr> <td>19</td> <td>-1194</td> <td>-19AG</td> <td>(91.44 ± 0.10) 3.600 ± .004</td> <td>(96.52 ± 0.10) 3.800 ± .004</td> </tr> <tr> <td>20</td> <td>10-10-1204</td> <td>AE-3002-20AG</td> <td>(96.52 ± 0.10) 3.800 ± .004</td> <td>(101.60 ± 0.10) 4.000 ± .004</td> </tr> </table>										CCT	PART No.	ENG No.	DIM A	DIM B	2	10-10-1024	AE-3002-2AG	(5.08 ± 0.10) .200 ± .004	(10.16 ± 0.10) .400 ± .004	3	-1034	-3AG	(10.16 ± 0.10) .400 ± .004	(15.24 ± 0.10) .600 ± .004	4	-1044	-4AG	(15.24 ± 0.10) .600 ± .004	(20.32 ± 0.10) .800 ± .004	5	-1054	-5AG	(20.32 ± 0.10) .800 ± .004	(25.40 ± 0.10) 1.000 ± .004	6	-1064	-6AG	(25.40 ± 0.10) 1.000 ± .004	(30.48 ± 0.10) 1.200 ± .004	7	-1074	-7AG	(30.48 ± 0.10) 1.200 ± .004	(35.56 ± 0.10) 1.400 ± .004	8	-1084	-8AG	(35.56 ± 0.10) 1.400 ± .004	(40.64 ± 0.10) 1.600 ± .004	9	-1094	-9AG	(40.64 ± 0.10) 1.600 ± .004	(45.72 ± 0.10) 1.800 ± .004	10	-1104	-10AG	(45.72 ± 0.10) 1.800 ± .004	(50.80 ± 0.10) 2.000 ± .004	11	-1114	-11AG	(50.80 ± 0.10) 2.000 ± .004	(55.88 ± 0.10) 2.200 ± .004	12	-1124	-12AG	(55.88 ± 0.10) 2.200 ± .004	(60.96 ± 0.10) 2.400 ± .004	13	-1134	-13AG	(60.96 ± 0.10) 2.400 ± .004	(66.04 ± 0.10) 2.600 ± .004	14	-1144	-14AG	(66.04 ± 0.10) 2.600 ± .004	(71.12 ± 0.10) 2.800 ± .004	15	-1154	-15AG	(71.12 ± 0.10) 2.800 ± .004	(76.20 ± 0.10) 3.000 ± .004	16	-1164	-16AG	(76.20 ± 0.10) 3.000 ± .004	(81.28 ± 0.10) 3.200 ± .004	17	-1174	-17AG	(81.28 ± 0.10) 3.200 ± .004	(86.36 ± 0.10) 3.400 ± .004	18	-1184	-18AG	(86.36 ± 0.10) 3.400 ± .004	(91.44 ± 0.10) 3.600 ± .004	19	-1194	-19AG	(91.44 ± 0.10) 3.600 ± .004	(96.52 ± 0.10) 3.800 ± .004	20	10-10-1204	AE-3002-20AG	(96.52 ± 0.10) 3.800 ± .004	(101.60 ± 0.10) 4.000 ± .004
CCT	PART No.	ENG No.	DIM A	DIM B																																																																																																										
2	10-10-1024	AE-3002-2AG	(5.08 ± 0.10) .200 ± .004	(10.16 ± 0.10) .400 ± .004																																																																																																										
3	-1034	-3AG	(10.16 ± 0.10) .400 ± .004	(15.24 ± 0.10) .600 ± .004																																																																																																										
4	-1044	-4AG	(15.24 ± 0.10) .600 ± .004	(20.32 ± 0.10) .800 ± .004																																																																																																										
5	-1054	-5AG	(20.32 ± 0.10) .800 ± .004	(25.40 ± 0.10) 1.000 ± .004																																																																																																										
6	-1064	-6AG	(25.40 ± 0.10) 1.000 ± .004	(30.48 ± 0.10) 1.200 ± .004																																																																																																										
7	-1074	-7AG	(30.48 ± 0.10) 1.200 ± .004	(35.56 ± 0.10) 1.400 ± .004																																																																																																										
8	-1084	-8AG	(35.56 ± 0.10) 1.400 ± .004	(40.64 ± 0.10) 1.600 ± .004																																																																																																										
9	-1094	-9AG	(40.64 ± 0.10) 1.600 ± .004	(45.72 ± 0.10) 1.800 ± .004																																																																																																										
10	-1104	-10AG	(45.72 ± 0.10) 1.800 ± .004	(50.80 ± 0.10) 2.000 ± .004																																																																																																										
11	-1114	-11AG	(50.80 ± 0.10) 2.000 ± .004	(55.88 ± 0.10) 2.200 ± .004																																																																																																										
12	-1124	-12AG	(55.88 ± 0.10) 2.200 ± .004	(60.96 ± 0.10) 2.400 ± .004																																																																																																										
13	-1134	-13AG	(60.96 ± 0.10) 2.400 ± .004	(66.04 ± 0.10) 2.600 ± .004																																																																																																										
14	-1144	-14AG	(66.04 ± 0.10) 2.600 ± .004	(71.12 ± 0.10) 2.800 ± .004																																																																																																										
15	-1154	-15AG	(71.12 ± 0.10) 2.800 ± .004	(76.20 ± 0.10) 3.000 ± .004																																																																																																										
16	-1164	-16AG	(76.20 ± 0.10) 3.000 ± .004	(81.28 ± 0.10) 3.200 ± .004																																																																																																										
17	-1174	-17AG	(81.28 ± 0.10) 3.200 ± .004	(86.36 ± 0.10) 3.400 ± .004																																																																																																										
18	-1184	-18AG	(86.36 ± 0.10) 3.400 ± .004	(91.44 ± 0.10) 3.600 ± .004																																																																																																										
19	-1194	-19AG	(91.44 ± 0.10) 3.600 ± .004	(96.52 ± 0.10) 3.800 ± .004																																																																																																										
20	10-10-1204	AE-3002-20AG	(96.52 ± 0.10) 3.800 ± .004	(101.60 ± 0.10) 4.000 ± .004																																																																																																										
<p>NOTES</p> <ol style="list-style-type: none"> <li>HOUSING: NYLON, 94V-2, NATURAL</li> <li>TERMINAL: PHOS. BR. (0.0005)/.0002 MIN. SELECTIVE GOLD WITH (0.005)/.0002 MIN. TIN OVER (0.00076)/.00030 MIN. NICKEL</li> <li>HOUSING SUITABLE FOR (L14±0.15)/.045±.006 RD. OR SO. PINS</li> <li>HOOKS AVAILABLE ON ENDS ONLY</li> <li>FOR PRODUCT SPECIFICATION SEE PS 99020-0087</li> </ol>																																																																																																														
<p style="text-align: center;">FOR PREVIOUS DRAWING ISSUES SEE MRL</p> <table border="1" style="width: 100%; border-collapse: collapse;"> <tr> <td>EC NO. LEZ004-0792</td> <td>DRW. PSHEWAN 04/03/08</td> <td>DATE</td> <td>REV</td> <td>DESCRIPTION</td> </tr> <tr> <td></td> <td></td> <td></td> <td>1</td> <td>MAJOR</td> </tr> <tr> <td></td> <td></td> <td></td> <td>2</td> <td>CRITICAL</td> </tr> </table> <table border="1" style="width: 100%; border-collapse: collapse;"> <tr> <td>QUALITY SYMBOLS</td> <td>GENERAL TOLERANCES (UNLESS SPECIFIED)</td> <td>SCALE</td> <td>DESIGN UNITS</td> </tr> <tr> <td>4 PLACES +0, -0</td> <td>FRIT</td> <td>4:1</td> <td>INCH</td> </tr> <tr> <td>3 PLACES +0, -0</td> <td>INCH</td> <td>GCH</td> <td>18/12/85</td> </tr> <tr> <td>2 PLACES +0, -0</td> <td>MIL</td> <td></td> <td></td> </tr> <tr> <td>1 PLACE +0, -0</td> <td>ANGULAR ± °</td> <td></td> <td></td> </tr> </table> <table border="1" style="width: 100%; border-collapse: collapse;"> <tr> <td>APPROVED BY &amp; DATE</td> <td>CAD FILENAME</td> <td>MATERIAL NO.</td> <td>DRAWING NO.</td> <td>SHEET NO.</td> </tr> <tr> <td></td> <td>SA3002NAG</td> <td></td> <td>SDAE-3002-NAG</td> <td>10F</td> </tr> </table> <p style="text-align: center;">THIS DRAWING CONTAINS INFORMATION THAT IS PROPRIETARY TO MOLEX INC. &amp; SHOULD NOT BE USED WITHOUT WRITTEN PERMISSION.</p>											EC NO. LEZ004-0792	DRW. PSHEWAN 04/03/08	DATE	REV	DESCRIPTION				1	MAJOR				2	CRITICAL	QUALITY SYMBOLS	GENERAL TOLERANCES (UNLESS SPECIFIED)	SCALE	DESIGN UNITS	4 PLACES +0, -0	FRIT	4:1	INCH	3 PLACES +0, -0	INCH	GCH	18/12/85	2 PLACES +0, -0	MIL			1 PLACE +0, -0	ANGULAR ± °			APPROVED BY & DATE	CAD FILENAME	MATERIAL NO.	DRAWING NO.	SHEET NO.		SA3002NAG		SDAE-3002-NAG	10F																																																							
EC NO. LEZ004-0792	DRW. PSHEWAN 04/03/08	DATE	REV	DESCRIPTION																																																																																																										
			1	MAJOR																																																																																																										
			2	CRITICAL																																																																																																										
QUALITY SYMBOLS	GENERAL TOLERANCES (UNLESS SPECIFIED)	SCALE	DESIGN UNITS																																																																																																											
4 PLACES +0, -0	FRIT	4:1	INCH																																																																																																											
3 PLACES +0, -0	INCH	GCH	18/12/85																																																																																																											
2 PLACES +0, -0	MIL																																																																																																													
1 PLACE +0, -0	ANGULAR ± °																																																																																																													
APPROVED BY & DATE	CAD FILENAME	MATERIAL NO.	DRAWING NO.	SHEET NO.																																																																																																										
	SA3002NAG		SDAE-3002-NAG	10F																																																																																																										



SHT. 1 OF 1						MRI - SDAE-3002-NAG					
MODIFICATION RECORD INDEX											
ERO	ECO	ISS.	DATE	INIT.	SHTS-AFFECTED	DESCRIPTION OF MOD.					
7435	---	---	18.1.70	RE	1						
7660	---	A	1.3.78	RE	1	FINAL RELEASE -6AG & -8AG					
363	---	B	24.8.82	GH	1	EDP No.FOR -2AG ADDED					
1139	---	C	18.9.85	GH	1	EDP No.FOR -4AG ADDED					
---	609	D	19.12.85	GH	1	EDPs.FOR -4AG & -6AG MODIFIED DRG. REDRAWN ON CAD.					
---	745	E	1.8.86	GH	1	EDPs.FOR -3,-5,-7 AND -9 THRO' -20 ADDED HOUSING INTO LINE WITH TOOL.					
---	958	F	20.10.87	MC	1	PLTG. CHANGED					
ECR/ECN	ISS.	DATE	INIT.	SHTS-AFFECTED	DESCRIPTION OF MOD.						
E10121	G	91.5.29	PMMN	1	DIM 'B' TOL CHANGES						
E2003-0992	H	03.03.27	PS	1	NEW PROD.SPEC.99020-0087 ADDED						
MOLEX EUROPE						REVISE ONLY ON CAD SYSTEM					
THIS DRAWING CONTAINS INFORMATION THAT IS PROPRIETARY TO MOLEX INC. & SHOULD NOT BE USED WITHOUT WRITTEN PERMISSION.											
MOLEX INCORPORATED						SA3002NAG .DGN					
SEE CHART						ISSUE H					

LEVEL CHART

1 TERMINAL-DETAILS	17	33	49
2	18	34	50
3	19	35	51 LEVEL INDEX
4	20 REC. PCB DIMns.	36	52 RESERVED
5	21	37	53 RESERVED
6	22	38	54 RESERVED
7	23	39	55 DIMENSIONS
8	24	40	56 TABLES/CHARTS
9	25	41	57 REVISION TEXT & MRI
10	26	42	58 NOTES/TEXT
11 HOUSING-DETAILS	27	43	59
12 CROSS HATCHING	28	44	60 RESERVED
13	29	45	61
14	30	46	62
15	31	47	63
16	32	48	