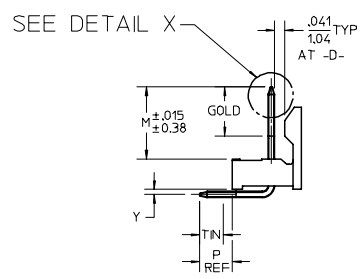
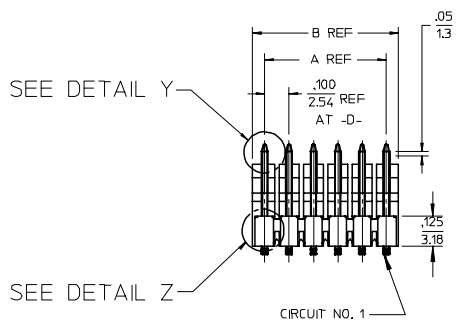
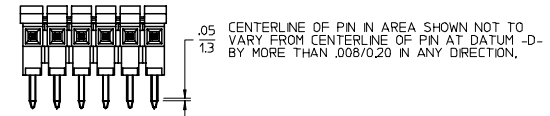
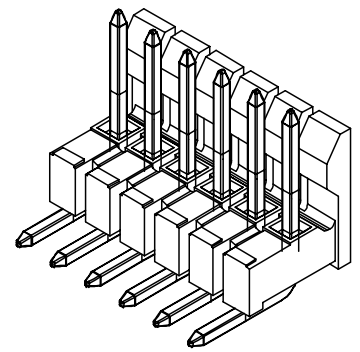
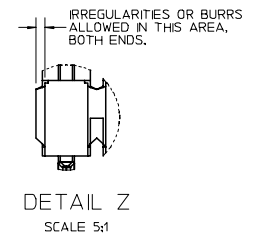
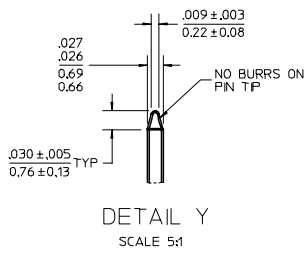
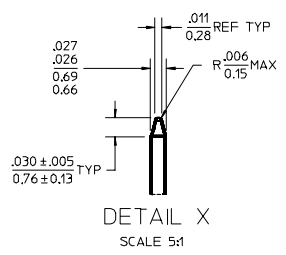
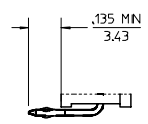
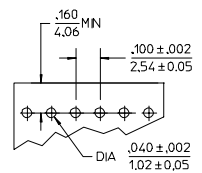


CKTS	DM A	DM B
2	.100/2.54	.200/5.08
3	.200/5.08	.300/7.62
4	.300/7.62	.400/10.16
5	.400/10.16	.500/12.70
6	.500/12.70	.600/15.24
7	.600/15.24	.700/17.78
8	.700/17.78	.800/20.32
9	.800/20.32	.900/22.86
10	.900/22.86	1.000/25.40
11	1.000/25.40	1.100/27.94
12	1.100/27.94	1.200/30.48
13	1.200/30.48	1.300/33.02
14	1.300/33.02	1.400/35.56
15	1.400/35.56	1.500/38.10
16	1.500/38.10	1.600/40.64
17	1.600/40.64	1.700/43.18
18	1.700/43.18	1.800/45.72
19	1.800/45.72	1.900/48.26
20	1.900/48.26	2.000/50.80
21	2.000/50.80	2.100/53.34
22	2.100/53.34	2.200/55.88
23	2.200/55.88	2.300/58.42
24	2.300/58.42	2.400/60.96
25	2.400/60.96	2.500/63.50
26	2.500/63.50	2.600/66.04
27	2.600/66.04	2.700/68.58
28	2.700/68.58	2.800/71.12
29	2.800/71.12	2.900/73.66
30	2.900/73.66	3.000/76.20
31	3.000/76.20	3.100/78.74
32	3.100/78.74	3.200/81.28
33	3.200/81.28	3.300/83.82
34	3.300/83.82	3.400/86.36
35	3.400/86.36	3.500/88.90
36	3.500/88.90	3.600/91.44



- NOTES:
- MATERIAL: GLASS FILLED NYLON, 94V-0, COLOR: BLACK
 - FINISH:
 - (154) *OVERALL TIN: .000100/0.00254 MIN, OVER .000050/0.00127 MIN NICKEL.
 - (208) SELECT GOLD: .000015/0.00038 MIN, *SELECT TIN: .000100/0.00254 MIN, OVERALL NICKEL UNDERPLATE: .000050/0.00127 MIN.
 - (228) SELECT GOLD: .000030/0.00076 MIN, *SELECT TIN: .000100/0.00254 MIN, OVERALL NICKEL UNDERPLATE: .000050/0.00127 MIN.
 - *THE PRIMARY SHIPPING CARTON WILL BE LABELED "COMPLIANT TO RoHS DIRECTIVE 2002/95/EC AND ELV ANNEX II OF DIRECTIVE 2000/53/EC". CARTONS WITHOUT THIS LABEL MAY CONTAIN PRODUCT WITH TIN-LEAD PLATING
 - PRODUCT SPECIFICATION PS 10-07.
 - PACKAGING INFORMATION: SEE TABLES
 - KINK PIN SPECIFICATION: SEE SMES-42003
 - HEADERS ARE NOT STACKABLE ON .100/2.54 CENTERS.
 - SOLDERABILITY PER SMES-152.
 - PN PUSH OUT FORCE: 3 LBS. MIN.

2-*	L
1	L3
SHT	REV



RECOMMENDED PC BOARD LAYOUT

KINKED PIN DETAIL
SEE NOTE 5

ADD DETAIL VIEWS	2005/08/01
EC NO: UCP2005-0488	2005/08/04
DRWN: JLOWE	2005/08/05
CHKD: ADERR	
APPR: FSWITH	
REV	DESCRIPTION
L3	

QUALITY SYMBOLS	▽=0
	▽=0

	GENERAL TOLERANCES (UNLESS SPECIFIED)	
	MM	INCH
4 PLACES	± .010	± .0004
3 PLACES	± .012	± .0005
2 PLACES	± .015	± .0006
1 PLACE	± .020	± .0008
ANGULAR		± 1/2°

DRAWN BY	DATE
JSCHAFFER	2004/03/18
CHECKED BY	DATE
KSAMIEC	2004/03/18
APPROVED BY	DATE
MARGULIS	2004/03/18
MATERIAL NO.	SEE CHART

SCALE	2:1
DESIGN UNITS	INCH
THIRD ANGLE PROJECTION	
TITLE	.100 FRICTION LOCK BREAKAWAY HEADER ASSY
MATERIAL NO.	MOLEX INCORPORATED
DOCUMENT NO.	SD-42228-001
SHEET NO.	1 OF 4

A-42228-0002/0036						A-42228-0037/0071					
HEADER NUMBER:		41411				HEADER NUMBER:		41411			
PIN NUMBER:		42663-CKA154				PIN NUMBER:		42663-CKB208			
PIN LENGTH: L		.705/17.91				PIN LENGTH: L		.705/17.91			
MATING LENGTH: M		.295/7.49				MATING LENGTH: M		.295/7.49			
GOLD POINT: G		N/A				GOLD POINT: G		.140/3.56			
PC TAIL LENGTH: P		.120/3.05				PC TAIL LENGTH: P		.120/3.05			
TIN: T		OVERALL				TIN: T		.135/3.43			
DIMENSION Y		.022/0.56				DIMENSION Y		.022/0.56			
CKTS:		2-36				CKTS:		2-36			
KINKS:		NO				KINKS:		NO			
REMOVED BACKWALLS:		NO				REMOVED BACKWALLS:		NO			
VOIDED CKTS:		NONE				VOIDED CKTS:		NONE			
PACKAGING:		BULK 40873-0056				PACKAGING:		BULK 40873-0056			
CKTS	MATERIAL NUMBER	ENG NUMBER	CKTS	MATERIAL NUMBER	ENG NUMBER	CKTS	MATERIAL NUMBER	ENG NUMBER	CKTS	MATERIAL NUMBER	ENG NUMBER
02	22-28-1020	A-42228-0002	20	22-28-1200	A-42228-0020	02	22-28-1021	A-42228-0037	20	22-28-1201	A-42228-0055
03	22-28-1030	A-42228-0003	21	22-28-1210	A-42228-0021	03	22-28-1031	A-42228-0038	21	22-28-1211	A-42228-0056
04	22-28-1040	A-42228-0004	22	22-28-1220	A-42228-0022	04	22-28-1041	A-42228-0039	22	22-28-1221	A-42228-0057
05	22-28-1050	A-42228-0005	23	22-28-1230	A-42228-0023	05	22-28-1051	A-42228-0040	23	22-28-1231	A-42228-0058
06	22-28-1060	A-42228-0006	24	22-28-1240	A-42228-0024	06	22-28-1061	A-42228-0041	24	22-28-1241	A-42228-0059
07	22-28-1070	A-42228-0007	25	22-28-1250	A-42228-0025	07	22-28-1071	A-42228-0042	25	22-28-1251	A-42228-0060
08	22-28-1080	A-42228-0008	26	22-28-1260	A-42228-0026	08	22-28-1081	A-42228-0043	26	22-28-1261	A-42228-0061
09	22-28-1090	A-42228-0009	27	22-28-1270	A-42228-0027	09	22-28-1091	A-42228-0044	27	22-28-1271	A-42228-0062
10	22-28-1100	A-42228-0010	28	22-28-1280	A-42227-0028	10	22-28-1101	A-42228-0045	28	22-28-1281	A-42228-0063
11	22-28-1110	A-42228-0011	29	22-28-1290	A-42228-0029	11	22-28-1111	A-42228-0046	29	22-28-1291	A-42228-0064
12	22-28-1120	A-42228-0012	30	22-28-1300	A-42228-0030	12	22-28-1121	A-42228-0047	30	22-28-1301	A-42228-0065
13	22-28-1130	A-42228-0013	31	22-28-1310	A-42228-0031	13	22-28-1131	A-42228-0048	31	22-28-1311	A-42228-0066
14	22-28-1140	A-42228-0014	32	22-28-1320	A-42228-0032	14	22-28-1141	A-42228-0049	32	22-28-1321	A-42228-0067
15	22-28-1150	A-42228-0015	33	22-28-1330	A-42228-0033	15	22-28-1151	A-42228-0050	33	22-28-1331	A-42228-0068
16	22-28-1160	A-42228-0016	34	22-28-1340	A-42228-0034	16	22-28-1161	A-42228-0051	34	22-28-1341	A-42228-0069
17	22-28-1170	A-42228-0017	35	22-28-1350	A-42228-0035	17	22-28-1171	A-42228-0052	35	22-28-1351	A-42228-0070
18	22-28-1180	A-42228-0018	36	22-28-1360	A-42228-0036	18	22-28-1181	A-42228-0053	36	22-28-1361	A-42228-0071
19	22-28-1190	A-42228-0019				19	22-28-1191	A-42228-0054			

REV: L	TITLE: .100 FRICTION LOCK BREAKAWAY HEADER ASSY.	SHEET No. - 2 -
DOCUMENT NUMBER: SD- 42228 -001	CREATED / REVISED BY: S. LINEHAN 03/04/2004	CHECKED BY: K.SAMIEC 03/04/2004
	APPROVED BY: Y. MARGULIS 03/04/2004	

A-42228-0072/0106						A-42228-0107/0141					
HEADER NUMBER:		41411				HEADER NUMBER:		41411			
PIN NUMBER:		42663-CKB228				PIN NUMBER:		42663-CNA154			
PIN LENGTH: L		.705/17.91				PIN LENGTH: L		.720/18.29			
MATING LENGTH: M		.295/7.49				MATING LENGTH: M		.295/7.49			
GOLD POINT: G		.140/3.56				GOLD POINT: G		N/A			
PC TAIL LENGTH: P		.120/3.05				PC TAIL LENGTH: P		.135/3.43			
TIN: T		.135/3.43				TIN: T		OVERALL			
DIMENSION Y		.022/0.56				DIMENSION Y		.022/0.56			
CKTS:		2-36				CKTS:		2-36			
KINKS:		NO				KINKS:		YES ES-42003			
REMOVED BACKWALLS:		NO				REMOVED BACKWALLS:		NO			
VOIDED CKTS:		NONE				VOIDED CKTS:		NONE			
PACKAGING:		BULK 40873-0056				PACKAGING:		BULK 40873-0056			
CKTS	MATERIAL NUMBER	ENG NUMBER	CKTS	MATERIAL NUMBER	ENG NUMBER	CKTS	MATERIAL NUMBER	ENG NUMBER	CKTS	MATERIAL NUMBER	ENG NUMBER
02	22-28-1022	A-42228-0072	20	22-28-1202	A-42228-0090	02	22-28-1023	A-42228-0107	20	22-28-1203	A-42228-0125
03	22-28-1032	A-42228-0073	21	22-28-1212	A-42228-0091	03	22-28-1033	A-42228-0108	21	22-28-1213	A-42228-0126
04	22-28-1042	A-42228-0074	22	22-28-1222	A-42228-0092	04	22-28-1043	A-42228-0109	22	22-28-1223	A-42228-0127
05	22-28-1052	A-42228-0075	23	22-28-1232	A-42228-0093	05	22-28-1053	A-42228-0110	23	22-28-1223	A-42228-0128
06	22-28-1062	A-42228-0076	24	22-28-1242	A-42228-0094	06	22-28-1063	A-42228-0111	24	22-28-1243	A-42228-0129
07	22-28-1072	A-42228-0077	25	22-28-1252	A-42228-0095	07	22-28-1073	A-42228-0112	25	22-28-1253	A-42228-0130
08	22-28-1082	A-42228-0078	26	22-28-1262	A-42228-0096	08	22-28-1083	A-42228-0113	26	22-28-1263	A-42228-0131
09	22-28-1092	A-42228-0079	27	22-28-1272	A-42228-0097	09	22-28-1093	A-42228-0114	27	22-28-1273	A-42228-0132
10	22-28-1102	A-42228-0080	28	22-28-1282	A-42228-0098	10	22-28-1103	A-42228-0115	28	22-28-1283	A-42228-0133
11	22-28-1112	A-42228-0081	29	22-28-1292	A-42228-0099	11	22-28-1113	A-42228-0116	29	22-28-1293	A-42228-0134
12	22-28-1122	A-42228-0082	30	22-28-1302	A-42228-0100	12	22-28-1123	A-42228-0117	30	22-28-1303	A-42228-0135
13	22-28-1132	A-42228-0083	31	22-28-1312	A-42228-0101	13	22-28-1133	A-42228-0118	31	22-28-1313	A-42228-0136
14	22-28-1142	A-42228-0084	32	22-28-1322	A-42228-0102	14	22-28-1143	A-42228-0119	32	22-28-1323	A-42228-0137
15	22-28-1152	A-42228-0085	33	22-28-1332	A-42228-0103	15	22-28-1153	A-42228-0120	33	22-28-1333	A-42228-0138
16	22-28-1162	A-42228-0086	34	22-28-1342	A-42228-0104	16	22-28-1163	A-42228-0121	34	22-28-1343	A-42228-0139
17	22-28-1172	A-42228-0087	35	22-28-1352	A-42228-0105	17	22-28-1173	A-42228-0122	35	22-28-1353	A-42228-0140
18	22-28-1182	A-42228-0088	36	22-28-1362	A-42228-0106	18	22-28-1183	A-42228-0123	36	22-28-1363	A-42228-0141
19	22-28-1192	A-42228-0089				19	22-28-1193	A-42228-0124			

REV:		TITLE:	.100 FRICTION LOCK BREAKAWAY HEADER ASSY.		SHEET No.
L					- 3 -
DOCUMENT NUMBER:		CREATED / REVISED BY:	CHECKED BY:	APPROVED BY:	
SD- 42228 -001		S. LINEHAN 03/04/2004	K.SAMIEC 03/04/2004	Y. MARGULIS 03/04/2004	

--	--	--	--	--	--	--	--	--	--	--	--

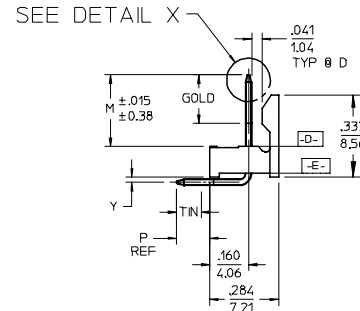
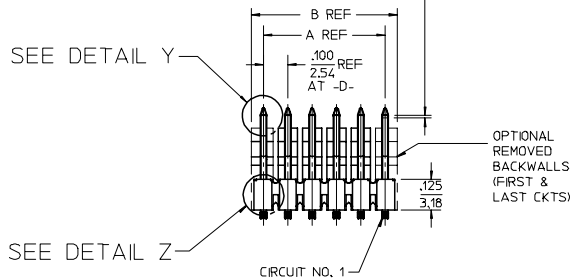
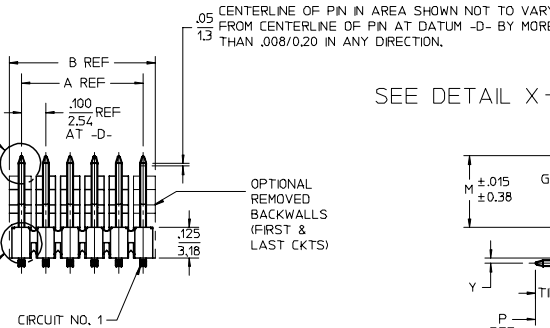
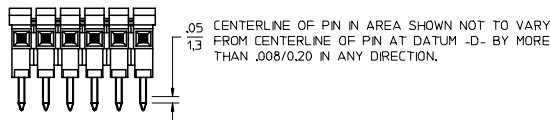
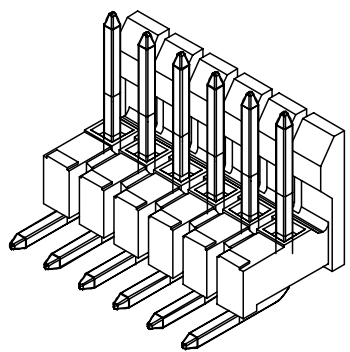
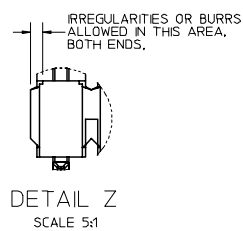
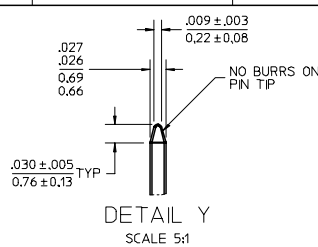
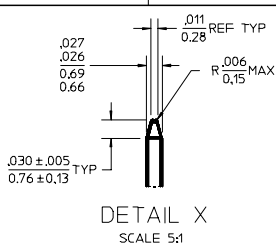
A-42228-0142/0176					
HEADER NUMBER:		41411			
PIN NUMBER:		42663-CNB208			
PIN LENGTH: L		.720/18.29			
MATING LENGTH: M		.295/7.49			
GOLD POINT: G		.140/3.56			
PC TAIL LENGTH: P		.135/3.43			
TIN: T		.135/3.43			
DIMENSION Y		.022/0.56			
CKTS:		2-36			
KINKS:		YES ES-42003			
REMOVED BACKWALLS:		NO			
VOIDED CKTS:		NONE			
PACKAGING:		BULK 40873-0056			
CKTS	MATERIAL NUMBER	ENG NUMBER	CKTS	MATERIAL NUMBER	ENG NUMBER
02	22-28-1024	A-42228-0142	20	22-28-1204	A-42228-0160
03	22-28-1034	A-42228-0143	21	22-28-1214	A-42228-0161
04	22-28-1044	A-42228-0144	22	22-28-1224	A-42228-0162
05	22-28-1054	A-42228-0145	23	22-28-1234	A-42228-0163
06	22-28-1064	A-42228-0146	24	22-28-1244	A-42228-0164
07	22-28-1074	A-42228-0147	25	22-28-1254	A-42228-0165
08	22-28-1084	A-42228-0148	26	22-28-1264	A-42228-0166
09	22-28-1094	A-42228-0149	27	22-28-1274	A-42228-0167
10	22-28-1104	A-42228-0150	28	22-28-1284	A-42228-0168
11	22-28-1114	A-42228-0151	29	22-28-1294	A-42228-0169
12	22-28-1124	A-42228-0152	30	22-28-1304	A-42228-0170
13	22-28-1134	A-42228-0153	31	22-28-1314	A-42228-0171
14	22-28-1144	A-42228-0154	32	22-28-1324	A-42228-0172
15	22-28-1154	A-42228-0155	33	22-28-1334	A-42228-0173
16	22-28-1164	A-42228-0156	34	22-28-1344	A-42228-0174
17	22-28-1174	A-42228-0157	35	22-28-1354	A-42228-0175
18	22-28-1184	A-42228-0158	36	22-28-1364	A-42228-0176
19	22-28-1194	A-42228-0159			

A-42228-0177/0211					
HEADER NUMBER:		41411			
PIN NUMBER:		42663-CNB228			
PIN LENGTH: L		.720/18.29			
MATING LENGTH: M		.295/7.49			
GOLD POINT: G		.140/3.56			
PC TAIL LENGTH: P		.135/3.43			
TIN: T		.135/3.43			
DIMENSION Y		.022/0.56			
CKTS:		2-36			
KINKS:		YES ES-42003			
REMOVED BACKWALLS:		NO			
VOIDED CKTS:		NONE			
PACKAGING:		BULK 40873-0056			
CKTS	MATERIAL NUMBER	ENG NUMBER	CKTS	MATERIAL NUMBER	ENG NUMBER
02	22-28-1025	A-42228-0177	20	22-28-1205	A-42228-0195
03	22-28-1035	A-42228-0178	21	22-28-1215	A-42228-0196
04	22-28-1045	A-42228-0179	22	22-28-1225	A-42228-0197
05	22-28-1055	A-42228-0180	23	22-28-2235	A-42228-0198
06	22-28-1065	A-42228-0181	24	22-28-1245	A-42228-0199
07	22-28-1075	A-42228-0182	25	22-28-1255	A-42228-0200
08	22-28-1085	A-42228-0183	26	22-28-1265	A-42228-0201
09	22-28-1095	A-42228-0184	27	22-28-1275	A-42228-0202
10	22-28-1105	A-42228-0185	28	22-28-1285	A-42228-0203
11	22-28-1115	A-42228-0186	29	22-28-1295	A-42228-0204
12	22-28-1125	A-42228-0187	30	22-28-1305	A-42228-0205
13	22-28-1135	A-42228-0188	31	22-28-1315	A-42228-0206
14	22-28-1145	A-42228-0189	32	22-28-1325	A-42228-0207
15	22-28-1155	A-42228-0190	33	22-28-1335	A-42228-0208
16	22-28-1165	A-42228-0191	34	22-28-1345	A-42228-0209
17	22-28-1175	A-42228-0192	35	22-28-1355	A-42228-0210
18	22-28-1185	A-42228-0193	36	22-28-1365	A-42228-0211
19	22-28-1195	A-42228-0194			

REV:		TITLE:	.100 FRICTION LOCK BREAKAWAY HEADER ASSY.	SHEET No.	- 4 -
------	--	--------	--	-----------	-------

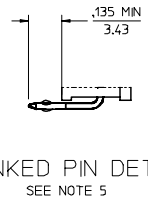
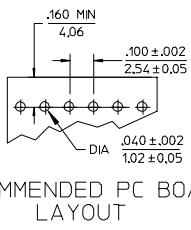
DOCUMENT NUMBER: SD- 42228 -001	CREATED / REVISED BY: S. LINEHAN 03/04/2004	CHECKED BY: K.SAMIEC 03/04/2004	APPROVED BY: Y. MARGULIS 03/04/2004
---	---	---	---

CKTS	DM A	DM B
2	.100/2.54	.200/5.08
3	.200/5.08	.300/7.62
4	.300/7.62	.400/10.16
5	.400/10.16	.500/12.70
6	.500/12.70	.600/15.24
7	.600/15.24	.700/17.78
8	.700/17.78	.800/20.32
9	.800/20.32	.900/22.86
10	.900/22.86	1.000/25.40
11	1.000/25.40	1.100/27.94
12	1.100/27.94	1.200/30.48
13	1.200/30.48	1.300/33.02
14	1.300/33.02	1.400/35.56
15	1.400/35.56	1.500/38.10
16	1.500/38.10	1.600/40.64
17	1.600/40.64	1.700/43.18
18	1.700/43.18	1.800/45.72
19	1.800/45.72	1.900/48.26
20	1.900/48.26	2.000/50.80
21	2.000/50.80	2.100/53.34
22	2.100/53.34	2.200/55.88
23	2.200/55.88	2.300/58.42
24	2.300/58.42	2.400/60.96
25	2.400/60.96	2.500/63.50
26	2.500/63.50	2.600/66.04
27	2.600/66.04	2.700/68.58
28	2.700/68.58	2.800/71.12
29	2.800/71.12	2.900/73.66
30	2.900/73.66	3.000/76.20
31	3.000/76.20	3.100/78.74
32	3.100/78.74	3.200/81.28
33	3.200/81.28	3.300/83.82
34	3.300/83.82	3.400/86.36
35	3.400/86.36	3.500/88.90
36	3.500/88.90	3.600/91.44



- NOTES:
- MATERIAL: GLASS FILLED NYLON, 94V-0, COLOR: BLACK
 - FINISH:
 - (154) *OVERALL TIN: .000100/0.00254 MIN. OVER .000050/0.00127 MIN NICKEL.
 - (208) SELECT GOLD: .000015/0.00038 MIN. *SELECT TIN: .000100/0.00254 MIN. OVERALL NICKEL UNDERPLATE: .000050/0.00127 MIN. SELECT GOLD: .000030/0.00076 MIN. *SELECT TIN: .000100/0.00254 MIN. OVERALL NICKEL UNDERPLATE: .000050/0.00127 MIN.
 - THE PRIMARY SHIPPING CARTON WILL BE LABELED "COMPLIANT TO RoHS DIRECTIVE 2002/95/EC AND ELV ANNEX II OF DIRECTIVE 2000/53/EC". CARTONS WITHOUT THIS LABEL MAY CONTAIN PRODUCT WITH TIN-LEAD PLATING
 - PRODUCT SPECIFICATION PS 10-07.
 - PACKAGING INFORMATION: SEE TABLES
 - KINK PIN SPECIFICATION: SEE SMES-42003
 - HEADERS ARE NOT STACKABLE ON .100/2.54 CENTERS.
 - SOLDERABILITY PER SMES-152.
 - PN PUSH OUT FORCE: 3 LBS. MIN.

2--	L
1	L3
SHT	REV



ADD DETAIL VIEWS	DESCRIPTION
EC NO: UCP2005-0488	2005/08/01
DRW: JLW	2005/08/04
CHKD: ADERR	2005/08/05
APPR: FSWJH	

QUALITY SYMBOLS
▽=0
▽=0

GENERAL TOLERANCES (UNLESS SPECIFIED)	
mm	INCH
4 PLACES ± ---	± ---
3 PLACES ± ---	± .010
2 PLACES ± 0.25	± .014
1 PLACE ± 0.36	± ---
ANGULAR ± 1/2°	

DIMENSION STYLE	
IN/MM	
DRAWN BY	DATE
JSCHAFFER	2004/03/18
CHECKED BY	DATE
KSAMIEC	2004/03/18
APPROVED BY	DATE
MARGULIS	2004/03/18
MATERIAL NO.	DOCUMENT NO.
SEE CHART	SD-42228-002

SCALE	DESIGN UNITS	THIRD ANGLE PROJECTION
2:1	INCH	☉
.100 FRICTION LOCK BREAKAWAY HEADER ASSY		
MOLEX INCORPORATED		
SHEET NO.		1 OF 6

THIS DRAWING CONTAINS INFORMATION THAT IS PROPRIETARY TO MOLEX INCORPORATED AND SHOULD NOT BE USED WITHOUT WRITTEN PERMISSION

A-42228-0077					
--------------	--	--	--	--	--

HEADER NUMBER:	41411
PIN NUMBER:	42663-CKB228
PIN LENGTH: L	.705/17.91
MATING LENGTH: M	.295/7.49
GOLD POINT: G	.140/3.56
PC TAIL LENGTH: P	.120/3.05
TIN: T	.135/3.43
DIMENSION Y	.022/0.56
CKTS:	2-36
KINKS:	NO
REMOVED BACKWALLS:	NO
VOIDED CKTS:	NONE

PACKAGING: BULK 40873-0056					
CKTS	MATERIAL NUMBER	ENG NUMBER	CKTS	MATERIAL NUMBER	ENG NUMBER
02			20		
03			21		
04			22		
05			23		
06			24		
07	50-29-1881	A-42228-0077	25		
08			26		
09			27		
10			28		
11			29		
12			30		
13			31		
14			32		
15			33		
16			34		
17			35		
18			36		
19					

HEADER NUMBER:	
PIN NUMBER:	
PIN LENGTH: L	
MATING LENGTH: M	
GOLD POINT: G	
PC TAIL LENGTH: P	
TIN: T	
DIMENSION Y	
CKTS:	
KINKS:	
REMOVED BACKWALLS:	
VOIDED CKTS:	

PACKAGING:					
CKTS	MATERIAL NUMBER	ENG NUMBER	CKTS	MATERIAL NUMBER	ENG NUMBER
02			20		
03			21		
04			22		
05			23		
06			24		
07			25		
08			26		
09			27		
10			28		
11			29		
12			30		
13			31		
14			32		
15			33		
16			34		
17			35		
18			36		
19					

REV: A1	TITLE: .100 FRICTION LOCK BREAKAWAY HEADER ASSY. LEAD-FREE	SHEET No. - 2 -
-------------------	--	---------------------------

DOCUMENT NUMBER: SD- 42228 -003	CREATED / REVISED BY: J. LOWE 07/22/05	CHECKED BY: A. DERR 07/22/05	APPROVED BY: F. SMITH 07/22/05
---	--	--	--