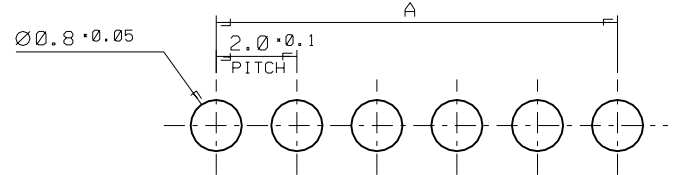
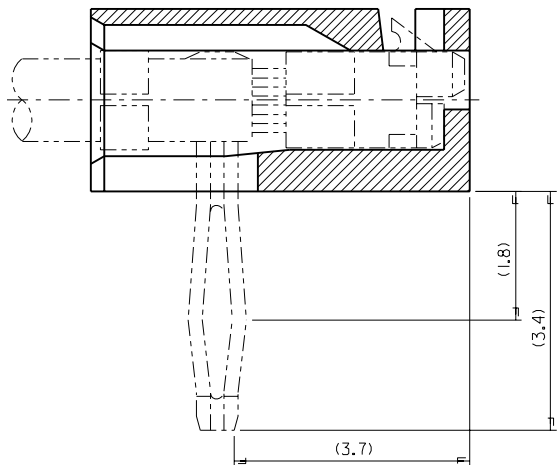
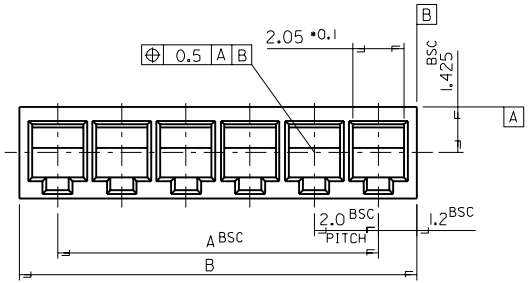
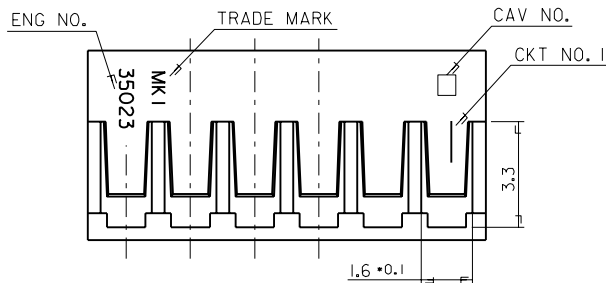
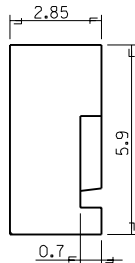


DWG. NO. SD 35023-*0**
 PROJECT NO. 35023-*0**
 SIMILAR ITEM
 DO NOT SCALE DRAWING DIMENSION IN METRIC



P.C. BOARD LAY OUT
(THK. = 1.6T)

- NOTE
- MATERIAL : NYLON 66 UL94V-0
 - APPLIED TERMINAL : 35021-I201/I301
 - PRODUCT SPECIFICATION : PS-35023

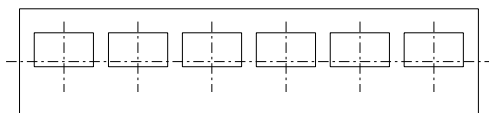
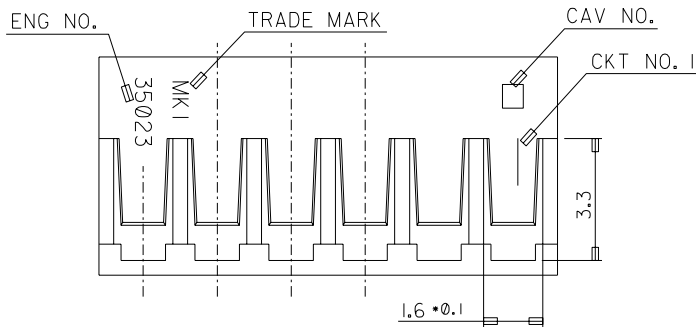
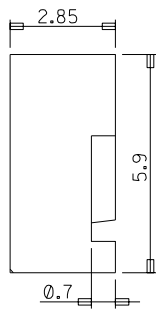
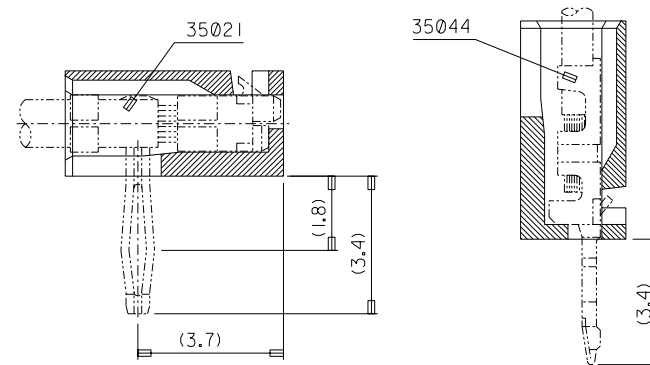
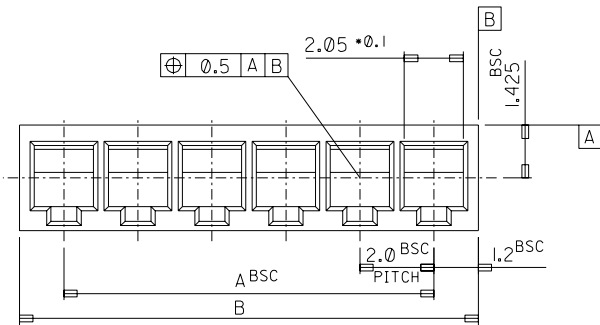
LEGEND

35023 - *0 ** CKT.(02,03,04....)

COLOR : 0 --- NATURAL
1 --- BLACK

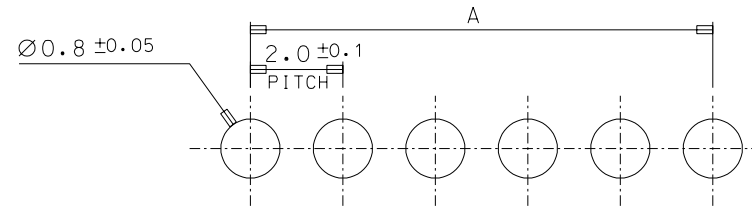
32.4	30.0	35023-*016	16	18.4	16.0	-*009	9
30.4	28.0	-*015	15	14.4	14.0	-*008	8
28.4	26.0	-*014	14	12.4	10.0	-*006	6
26.4	24.0	-*013	13	10.4	8.0	-*005	5
24.4	22.0	-*012	12	8.4	6.0	-*004	4
22.4	20.0	-*011	11	6.4	4.0	-*003	3
20.4	18.0	-*010	10	4.4	2.0	35023-*002	2
B	A	ENG NO.	CKT NO.	B	A	ENG NO.	CKT NO.

REVISED EC NO. KOR.999-0007 DRWN: K.S.KIM(990111) CHK: J.K.OH APPR: C.W.LEE	QUALITY SYMBOLS MAJOR CRITICAL	GENERAL TOLERANCES: (UNLESS SPECIFIED)		SCALE 7-1	DESIGN UNITS <input checked="" type="checkbox"/> mm <input type="checkbox"/> INCH	DIMENSIONS: <input type="checkbox"/> mm <input type="checkbox"/> INCH <input checked="" type="checkbox"/> mm ONLY		SHT	REV	
		4 PLACES	±0.	±.	DRAWN BY & DATE H.S.SHIN(931026)		TITLE: 2.0mm PITCH B-IN CONN. HOUSING(S/T)			
		3 PLACES	±0.	±.	CHECKED BY & DATE J.K.OH		<input checked="" type="checkbox"/> THIRD ANGLE PROJECTION MOLEX INCORPORATED KOREA			
		2 PLACES	±0.	±.	APPROVED BY & DATE C.W.LEE					
1 PLACE	±0.3	±.	ANGULAR: ± 1 °		CAD FILENAME SD35023.DGN	MATERIAL NO. 35023-*0**	DRAWING NO. SD 35023-*0**	SHEET NO. 10F1	SIZE B	
REV		DRAFT WHERE APPLICABLE MUST REMAIN WITHIN DIMENSIONS		THIS DRAWING CONTAINS INFORMATION THAT IS PROPRIETARY TO MOLEX INCORPORATED AND SHOULD NOT BE USED WITHOUT WRITTEN PERMISSION.						



RIGHT ANGLE TYPE

STRAIGHT TYPE



P.C. BOARD LAY OUT
(THK. : 1.6+)

NOTE

1. MATERIAL : NYLON 66 UL94V-0
2. APPLIED TERMINAL : 35021-1201/1301,35044
3. PRODUCT SPECIFICATION : PS-35023

LEGEND

35023 - *Ø**
 ———— CKT.(02,03,04....)
 ———— COLOR : Ø --- NATURAL
 |----- I----- BLACK

REVISED
 KOR2004-0016
 K.S.KIM(030721)
 J.K.OH
 C.W.LEE

				18.4	16.0		-*009	9
32.4	30.0	35023-*016	16	16.4	14.0		-*008	8
30.4	28.0	↙ -*015	15	14.4	12.0		-*007	7
28.4	26.0	-*014	14	12.4	10.0		-*006	6
26.4	24.0	-*013	13	10.4	8.0		-*005	5
24.4	22.0	-*012	12	8.4	6.0		-*004	4
22.4	20.0	-*011	11	6.4	4.0		-*003	3
20.4	18.0	-*010	10	4.4	2.0		35023-*002	2
B	A	ENG NO.	CKT NO.	B	A		ENG NO.	CKT NO.

7-1 X

X

H.S.SHIN(931026)

2.0mm PITCH
 B-IN CONN. HOUSING(S)/T

2
 3

J.K.OH

C.W.LEE

SD35023.DGN

35023-00**

SD-35023-001

10F1