

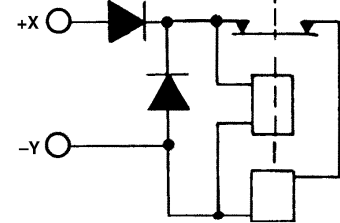
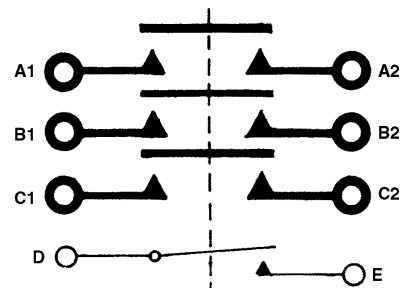
BR-301AY 3PST N.O., 200 Amps, 115/200 VAC, 400 Hz



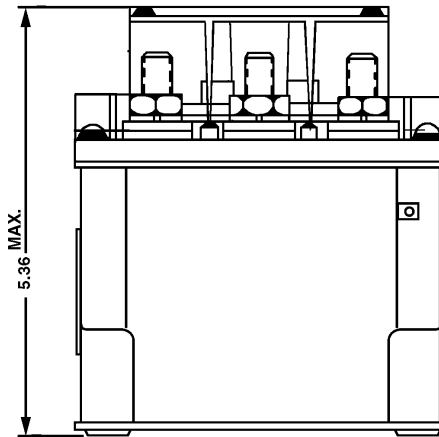
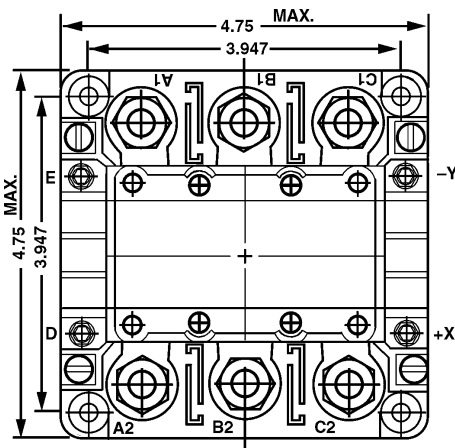
Features:

- 3PST N.O. Main Contacts
- AC Coil
- Economizing Coil
- 115/200 VAC, 400 Hz
- 200 Amps
- High Reliability
- Meets many requirements of MIL-R-6106

CONTACTOR CONFIGURATION



Notes:



Dimensions for this product are expressed in inches. Multiply values by 25.4 for millimeters.

PRODUCT SPECIFICATIONS

Construction	Gasket Sealed, Vented
Main Contacts:	
Configuration	3PST N.O.
Voltage (Nominal)	115/200 VAC, 400 Hz
Current (Resistive)	200 Amps
Auxiliary Contacts:	
Configuration	SPST N.O.
Voltage (Nominal)	28 VDC or 115 VAC, 400 Hz
Current	
Resistive	5 Amps
Inductive	3 Amps
Lamp	1 Amp
Coil Data:	
Duty Cycle	Continuous
Voltage (Nominal)	115 VAC, 400 Hz or 28 VDC
Pick-Up Maximum	90 VAC or 24 VDC
Drop-Out Voltage	15 - 65 VAC or 2 - 12 VDC
Operating Temperature	-55°C to 71°C
Life:	
Electrical	50,000 Cycles
Mechanical	100,000 Cycles
Weight	6 Lbs. 8 Oz.

For factory-direct application assistance, contact the HARTMAN product team at (419) 521-9500, Fax (419) 526-2749.

© 2004 by Tyco Electronics Corporation. All Rights Reserved. HARTMAN and TYCO are trademarks.