

PLEASE CHECK WWW.MOLEX.COM FOR LATEST PART INFORMATION

Part Number: [0685610019](#)
Status: **Active**
Overview: [serial ata products](#)
Description: 1.27mm (.050") Pitch Serial ATA IDT Power Latching Adapter Cable Assembly, 0.152m (6.00") Length, 0.76µm (30µ") Gold (Au), 5V+12V, Leadfree

Documents:

[Drawing \(PDF\)](#) [RoHS Certificate of Compliance \(PDF\)](#)

General

Product Family	Cable Assemblies
Series	68561
Connector to Connector	Serial ATA-to-Serial ATA
Overview	serial ata products
Product Name	Serial ATA

Physical

Cable Length	0.152m (6.00")
Circuits (Loaded)	15
Gender	Male-Female
Lock to Mating Part	Yes
Material - Metal	Stainless Steel
Material - Plating Mating	Gold
Material - Plating Termination	Tin
Packaging Type	Bag
Pitch - Mating Interface (in)	0.050 In
Pitch - Mating Interface (mm)	1.27 mm
Plating min: Mating (µin)	30.4
Plating min: Mating (µm)	0.76
Plating min: Termination (µin)	75
Plating min: Termination (µm)	1.875
Single Ended	No
Termination Interface: Style	IDT or Pierce
Wire Insulation Diameter	N/A
Wire Size AWG	18
Wire/Cable Type	PVC

Electrical

Current - Maximum per Contact	1.5A
Impedance	100 ohms
Shielded	No
Voltage - Maximum	40V

Material Info

Reference - Drawing Numbers

Sales Drawing	SD-68561-003
---------------	--------------

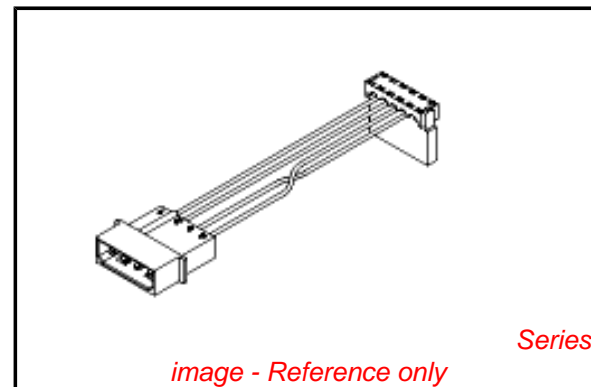


image - Reference only

EU RoHS

**ELV and RoHS
Compliant**
REACH SVHC
 Not Reviewed
Halogen-Free
Status
Not Reviewed

China RoHS

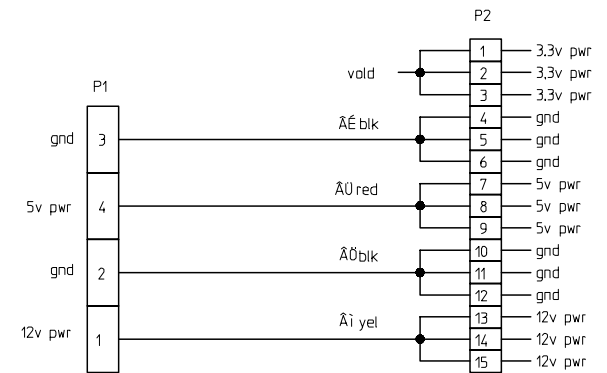
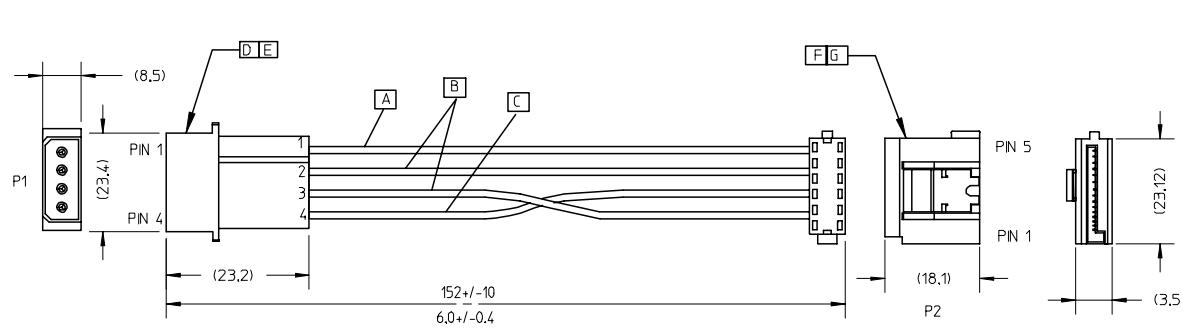


**Need more information on product
environmental compliance?**

Email productcompliance@molex.com
 For a multiple part number RoHS Certificate of Compliance, [click here](#)

Please visit the [Contact Us](#) section for any non-product compliance questions.

Search Parts in this Series
[68561Series](#)



NOTE: 1. ELECTRIC PERFORMANCE:

DIELECTRONIC STRENGTH: 500 V DC/0,01Sec.
 INSULATION RESISTANCE: 100M OHMS Min.
 CONDUCTIVE RESISTANCE: 2 OHMS Max.

2.S-ATA HOUSING:

POLYESTER(PBT),UL94V-0(BLACK)

68561-0019	679260002	30u' Gold -plated terminal
68561-0018	679260001	Gold flash terminal
MOLEX P/N	S-ATA CONN.	DESCRIPTION

G	COVER 679260040	1	
F	S-ATA CONN; SEE TABLE	1	
E	4P CONTACT 887899491	4	
D	4P PWR HOUSING 887899490	1	
C	UL1007 #18 RED 887711301	1	144
B	UL1007 #18 BLK 887711300	2	288
A	UL1007 #18 YEL 887711303	1	144
ITEM	DESCRIPTION	QTY	L(mm)

ENTER DESCRIPTION EC NO: DG2005-0009 DRWN: GXYANG 2004/08/11 CHKD: 2004/08/18 APPR: BOCHEN 2004/08/18 REV	QUALITY SYMBOLS ▽=0 ◻=0	GENERAL TOLERANCES (UNLESS SPECIFIED)		DIMENSION STYLE MM ONLY		SCALE ---	DESIGN UNITS METRIC	THIRD ANGLE PROJECTION		
			mm	INCH	DRAWN BY	DATE	TITLE			
		4 PLACES	±---	±---	GXYANG	04/08/10	S-ATA IDT POWER LATCHING ADAPTER CABLE ASSEMBLY 6 INCH (5V+12V)			
		3 PLACES	±---	±---	CHECKED BY	DATE	MOLEX INCORPORATED			
	2 PLACES	±---	±---	TEDDY	04/08/10	MATERIAL NO.				
	1 PLACE	±---	±---	APPROVED BY	DATE	685610018/9		SD-68561-003		SHEET NO.
	ANGULAR ±---°		BORON		04/08/10	DOCUMENT NO.		1 OF 1		
DRAFT WHERE APPLICABLE MUST REMAIN WITHIN DIMENSIONS		SIZE		THIS DRAWING CONTAINS INFORMATION THAT IS PROPRIETARY TO MOLEX INCORPORATED AND SHOULD NOT BE USED WITHOUT WRITTEN PERMISSION						