

PLEASE CHECK WWW.MOLEX.COM FOR LATEST PART INFORMATION

Part Number: [0891779260](#)
Status: **Active**
Overview:
Description: 1.27mm (.050") Pitch Compact PCI Slot, Board-to-Board Edge Card Connector, Vertical, Double-Sided, Dual Read-Out, White, with Metal Peg, Gold (Au) Flash, Voltage 3.3V, 184 Circuits
Replacement Part Number: [48200-9260](#)

General

Product Family	Edge Card Connectors
Series	89177
Comments	3V Card Configuration
Component Type	Edgecard to PCB
Obsolete Date	2006/04/01
Overview	edge_card_connectors
Product Name	Edge Card
Replacement Part Number	48200-9260

Physical

Circuits (Loaded)	184
Circuits (maximum)	184
Circuits Detail	All Signal
Durability (mating cycles max)	50
Entry Angle	Vertical (Top Entry)
Keying to Mating Part	Yes
Material - Plating Mating	Gold
Material - Plating Termination	Tin-Lead
PC Tail Length (in)	0.118 In
PC Tail Length (mm)	3.00 mm
PCB Locator	Yes
PCB Retention	Yes
PCB Thickness Recommended (in)	0.062 In
PCB Thickness Recommended (mm)	1.60 mm
Packaging Type	Tray
Pitch - Mating Interface (in)	0.050 In
Pitch - Mating Interface (mm)	1.27 mm
Polarized to Mating Part	Yes
Temperature Range - Operating	-55°C to +105°C
Termination Interface: Style	Through Hole

Electrical

Current - Maximum per Contact	1A
Voltage - Maximum	500V

Material Info

Reference - Drawing Numbers

Packaging Specification	SPK-89177
Product Specification	PS-89177

EU RoHS

Not RoHS Compliant

REACH SVHC

Not Reviewed

Halogen-Free

Status

Not Reviewed

China RoHS



Need more information on product environmental compliance?

Email productcompliance@molex.com
 For a multiple part number RoHS Certificate of Compliance, [click here](#)

Please visit the [Contact Us](#) section for any non-product compliance questions.

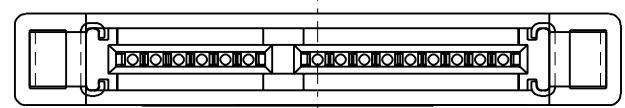
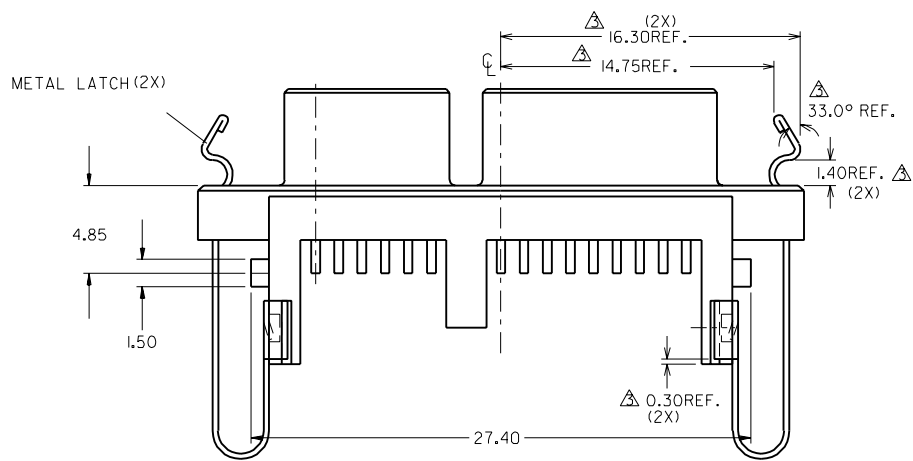
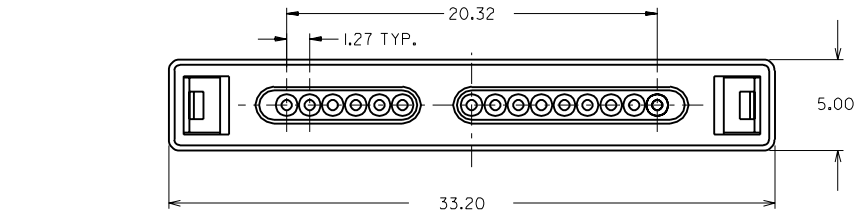
Search Parts in this Series

[89177Series](#)

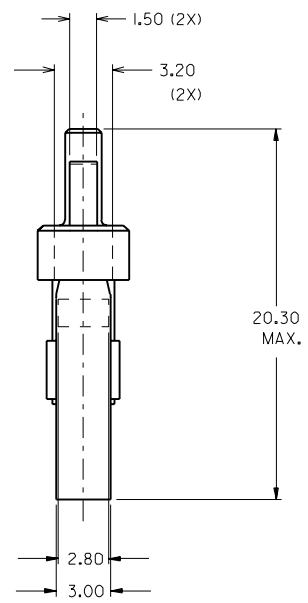
Mates With

64-bit PCI card

DO NOT SCALE DRAWING
 CAD FILE : S8919919
 SIMILAR ITEM
 EDP NO.
 ENG. NO SDA-89199-0019



NOTES:
 1. METAL LATCH CAN NOT BE PULLED OUT WHEN 1.0KGF APPLIED.
 2. CABLE ASS'Y: REFER TO 888-0019.
 3. RECOMMENDED DIMENSIONS AFTER OVERMOLDING.
 4. MATE WITH :
 MALE I/O :89198
 MATERIAL:
 THERMOPLASTIC POLYESTER, UL94 V-0, BLACK
 TERMINAL: COPPER ALLOY.
 METAL LATCH: STAINLESS STEEL.



				MATERIAL :		MOLEX TAIWAN LTD.	
				FINISH :		SHEET 1 OF 1	
				WIRE RANGE :		GENERAL TOLERANCES ANGLE : ± 3° DIM : ± .25/.010	
				INS. RANGE :		ENG. NO. : SDA-89199-0019	
A2	PER ECN T97-354	JULIA	970602	DRAWN BY JWU		REV A2	
A1	PER ECN* T96-204	JWU	951204	APPR'D BY		TITLE : I/O FEMALE ASS'Y, 15 CKTS, W/ LATCH	
LTR	REVISION RECORD	ECN	DR	DATE	SCALE	4 : 1	
REVISE ONLY ON CAD SYSTEM							