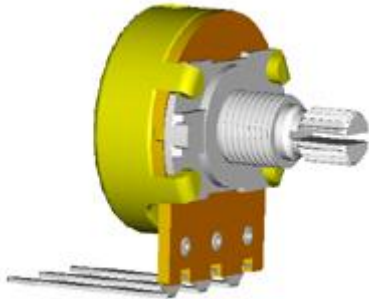


Model(型號): **ROTARY POTENTIOMETER-----R24311CB2**

► Download PDF file



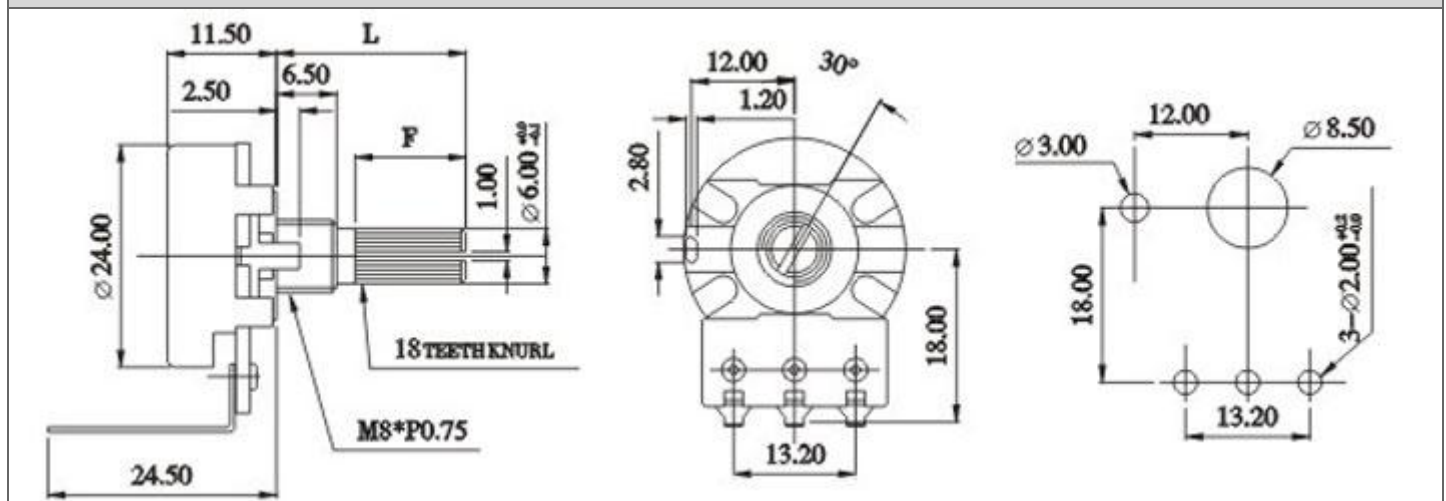
**Features:(特點):**

Excellent operational feeling;Many codels are available.High performance and high dependability.

**Applications(作用):**

Suitable for various control applications sith general consumer electronics products,automotive installation equipment and devices,industrial machines,etc.

**Dimensions(規格圖):**



**Specifications(規格)**

| <b>Electrical Characteristics [ 電氣性能 ]</b> |   |
|--|---|
| Total resistance [ 全阻抗值 ]                  | 500Ω~1MΩ                                  |
| Total resistance tolerance [ 全阻抗值容許差 ]     | ±20%                                      |
| Ratings power(w) [ 額定功率 ]                  | B curve 0.5W,except B 0.25W               |
| Restings taper[阻抗變化特性]                     | A,B,*C,D,W                                |
| Residual resistance [殘留阻值]                 | 20ΩMax.                                   |
| Sliding noise [滑動雜音]                       | 80mV Max.                                 |
| Withstanding voltage [耐電壓]                 | 1 minute at AC 500V                       |
| Insulation resistance [絕緣阻抗]               | 100MΩ Min. at DC 500V.                    |
| Max. operating voltage [最高使用電壓]            | linear Taper B AC 500V, except B AC 250V. |
| Gang error:[運動誤差]                          | -40dB~0dB ±3dB Max.                       |
| Switch contact resistance[開關的接觸阻抗]         | less than 0.3mΩ                           |
| Switch Ratings power                       | 1.0A at AC /DC 125V                       |
| <b>Mechanical Characteristics [ 機械性能 ]</b> |   |
| Operation torque [ 回轉力矩 ]                  | 30~200gf . cm                             |
| Rotation stopper strength [ 止動強度 ]         | 5.0Kgf . cm Min.                          |
| Total rotational angle [回轉角度]              | 300±5°                                    |
| Switch rotational angle[開關的回轉角度]           | 50° ±5°                                   |
| Switch action[開關的轉動力]                      | 150~450gf.cm                              |
| <b>Endurance Characteristics [ 耐久性能 ]</b>  |   |
| Rotational life [ 回轉壽命 ]                   | More than10,000 cycles                    |

