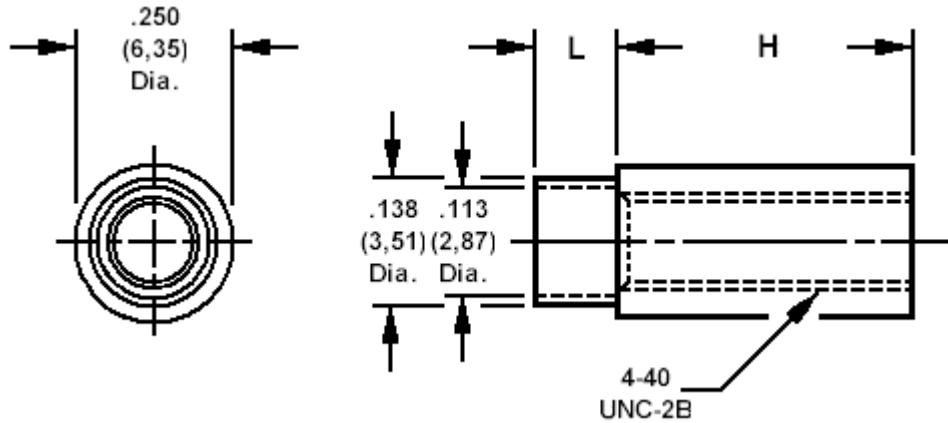


350-1300 Spacer/Stand-off, round, threaded, swage mount



How to order code
350-1300-XX-YY-00

Basic Part No XX = H & L dimensions, YY = Plating Finish

DIMENSIONS (XX)								
Basic Part #	(XX)						H	Swage Anvil
350-1300	-01	-09	-17	-25	-33	-41	.125 (3,18)	A
	-02	-10	-18	-26	-34	-42	.188 (4,78)	A
	-03	-11	-19	-27	-35	-43	.250 (6,35)	B
	-04	-12	-20	-28	-36	-44	.375 (9,53)	B
	-05	-13	-21	-29	-37	-45	.500 (12,70)	C
	-06	-14	-22	-30	-38	-46	.625 (15,88)	C
	-07	-15	-23	-31	-39	-47	.750 (19,05)	D
	-08	-16	-24	-32	-40	-48	1.000 (25,40)	D
L	.062 (1,57)	.094 (2,39)	.125 (3,18)	.156 (3,96)	.219 (5,56)	.281 (7,14)		
For Board Thickness	.031 (0,79)	.062 (1,59)	.094 (2,38)	.125 (3,18)	.188 (4,76)	.250 (6,35)		

MATERIALS			
Component	Material	Finish _t (YY)	
		-02	-07
Spacer/Stand-Off	Brass	Nickel	Cadmium (plus Chromate)

SWAGE TOOLING		
Recommended Swaging Tools:-		
Punch		435-6607-01-00-00
Anvil	A	435-6410-01-00-00
	B	435-6410-02-00-00
	C	435-6410-03-00-00
	D	435-6410-04-00-00