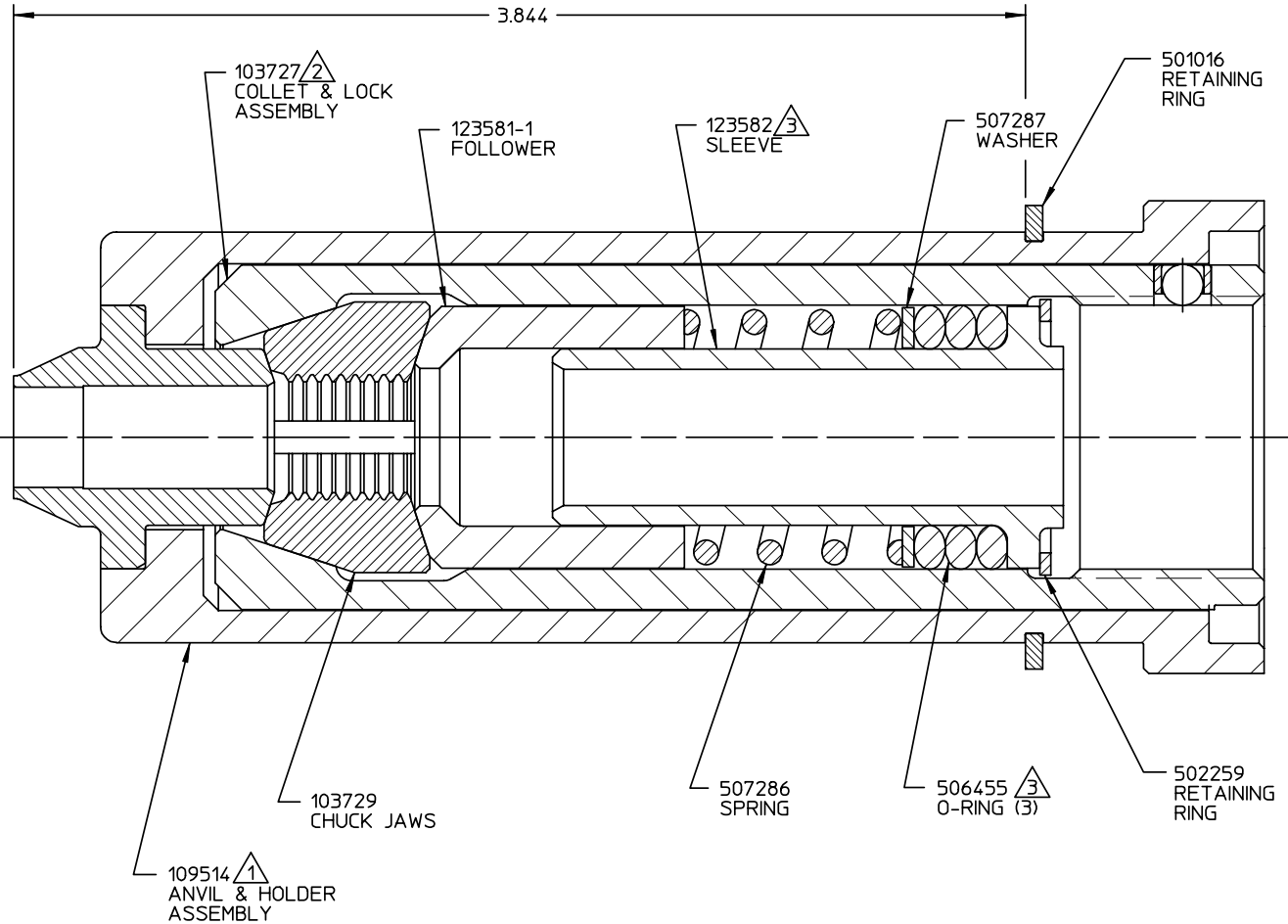
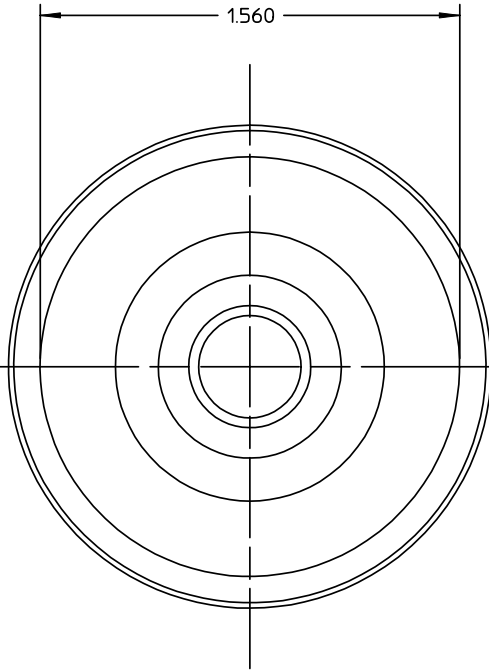


# DATA SHEET



**Alcoa Fastening Systems**

Commercial Products  
1 Corporate Drive, Kingston, NY 12401

<b>99-2799</b> Part Number	TYPE:	SELF-RELEASING
	FASTENER:	-16 BLIND BOLT
	TOOL(S):	2620-PT
	Notes:	Product Revision: <b>A</b>
	US Patent:	Date: 07/08/03

NOTES:

- ① 109514 ANVIL & HOLDER ASSEMBLY CONSISTS OF:  
103731 ANVIL HOLDER (NOT AVAILABLE SEPARATELY);  
& 109506 DRIVING ANVIL.
- ② 103727 COLLET & LOCK ASSEMBLY CONSISTS OF:  
103728 COLLET (NOT AVAILABLE SEPARATELY);  
& 101282 LOCK ASSEMBLY.
- ③ ASSEMBLE SLEEVE AND O-RINGS PER HUCK SPEC. 42-491