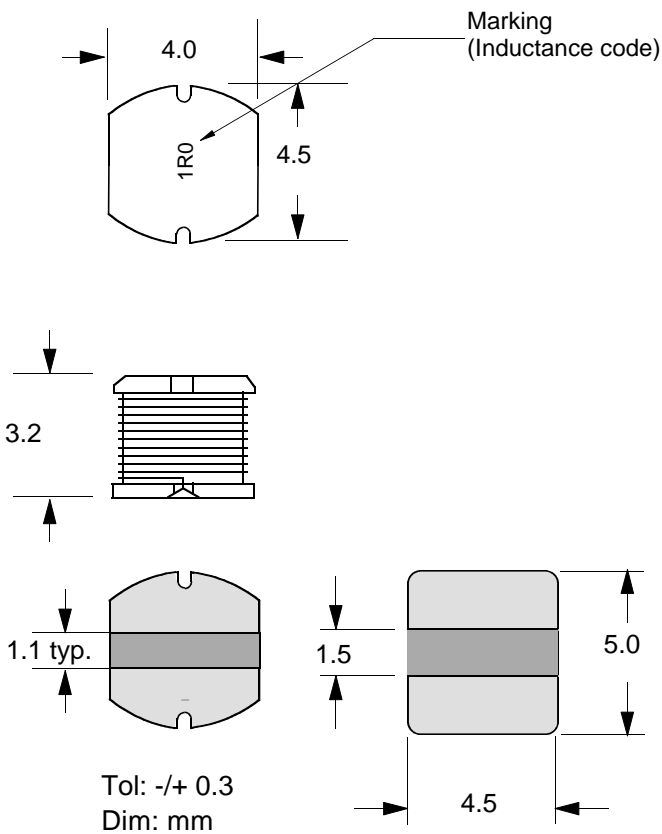


## Special Features

- High current capacity
- Ferrite bobbin core
- Low core loss at high frequency power application
- Compact size
- Large terminal surface for good PCB bonding
- Operating temperature -30 to +100 °C
- Current to cause maximum 10% of inductance drop, or 40°C temperature rise
- Tape & reel packaged 1500/reel



## SD43Series

| Part Number | L (uH)<br>±20% | Test Freq. | SRF (MHz)<br>Typ. | DCR (mΩ)<br>Max. | I, DC (A) |
|-------------|----------------|------------|-------------------|------------------|-----------|
| SD43-1R0M   | 1.0            | 100KHz     | 126.5             | 32.5             | 2.7       |
| SD43-1R3M   | 1.3            | 100KHz     | 104.5             | 38.0             | 2.6       |
| SD43-1R7M   | 1.7            | 100KHz     | 90                | 43.5             | 2.5       |
| SD43-2R0M   | 2.0            | 100KHz     | 80.5              | 49.0             | 2.4       |
| SD43-2R5M   | 2.5            | 100KHz     | 72                | 54.5             | 2.3       |
| SD43-3R0M   | 3.0            | 100KHz     | 69                | 60.0             | 2.2       |
| SD43-3R7M   | 3.7            | 100KHz     | 47                | 82.5             | 1.8       |
| SD43-4R7M   | 4.7            | 100KHz     | 41                | 96.5             | 1.7       |
| SD43-5R6M   | 5.6            | 100KHz     | 37.5              | 104              | 1.6       |
| SD43-6R8M   | 6.8            | 100KHz     | 31.5              | 120              | 1.5       |
| SD43-8R2M   | 8.2            | 100KHz     | 31                | 131              | 1.4       |
| SD43-100M   | 10             | 1KHz       | 39.5              | 143              | 1.1       |
| SD43-120M   | 12             | 1KHz       | 35.0              | 161              | 0.99      |
| SD43-150M   | 15             | 1KHz       | 30.5              | 186              | 0.9       |
| SD43-180M   | 18             | 1KHz       | 28                | 264              | 0.79      |
| SD43-220M   | 22             | 1KHz       | 25                | 302              | 0.74      |
| SD43-270M   | 27             | 1KHz       | 18.5              | 378              | 0.67      |
| ±10%        |                |            |                   |                  |           |
| SD43-330K   | 33             | 1KHz       | 17                | 430              | 0.6       |
| SD43-390K   | 39             | 1KHz       | 15.5              | 490              | 0.55      |
| SD43-470K   | 47             | 1KHz       | 15                | 712              | 0.48      |
| SD43-560K   | 56             | 1KHz       | 14.5              | 787              | 0.44      |
| SD43-680K   | 68             | 1KHz       | 13                | 871              | 0.40      |

\* All specifications are subject to change without notice.