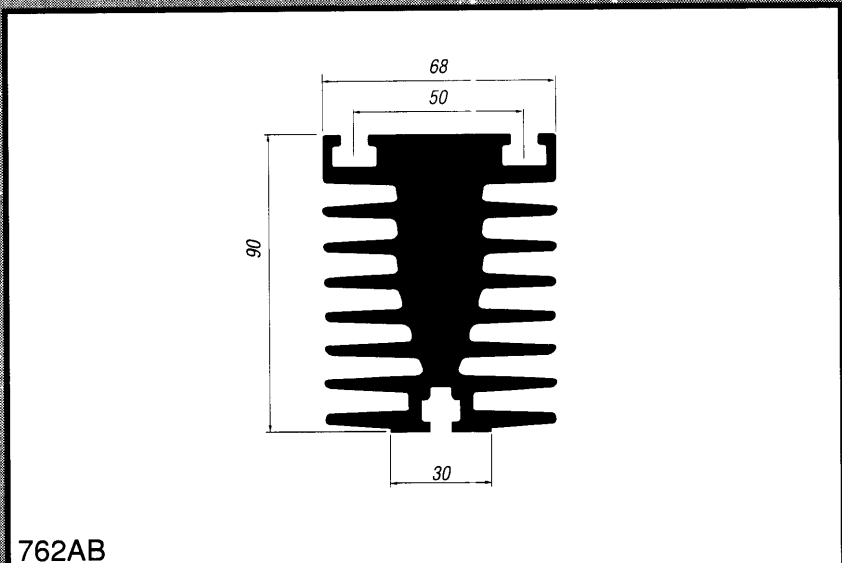
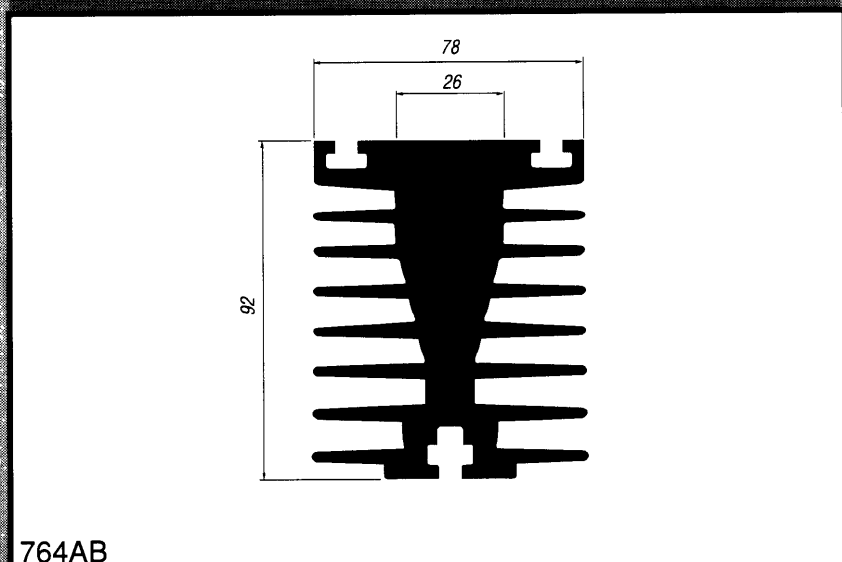
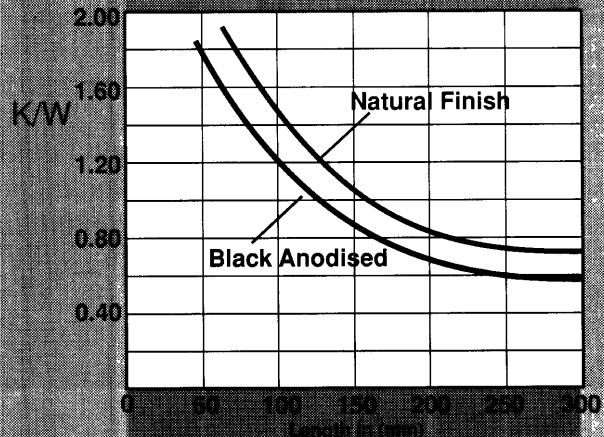


# 7 0 0 S E R I E S



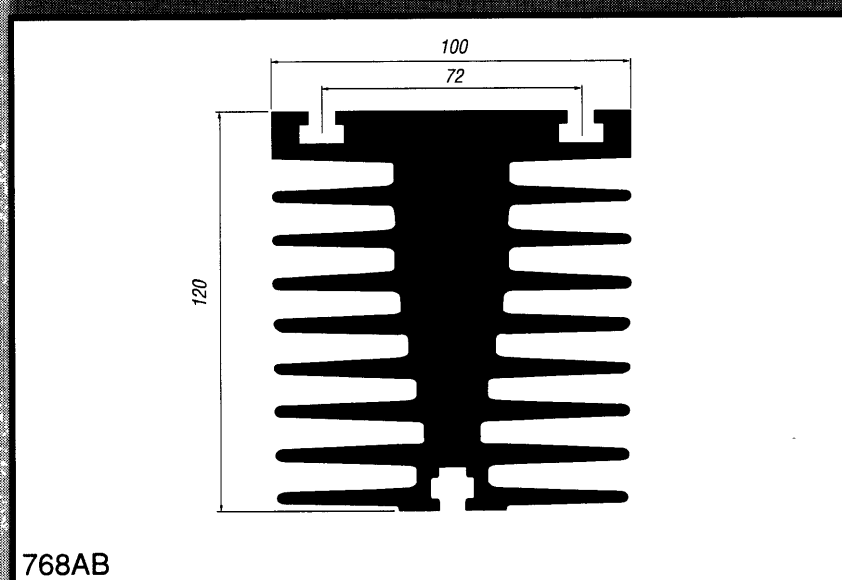
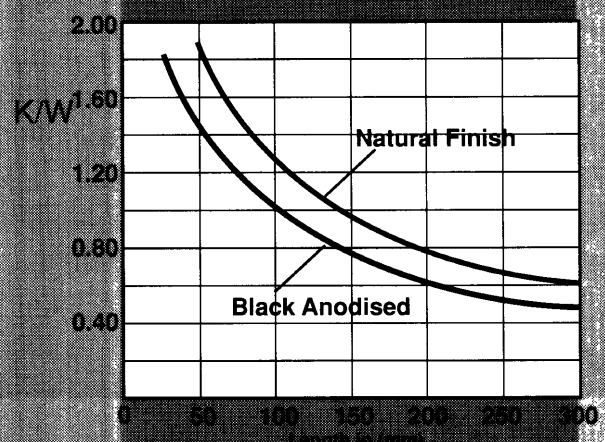
762AB

Typical Performance		°k/w Black				
Length		50	100	150	200	300
°k/w		1.80	1.20	0.83	0.67	0.58



764AB

Typical Performance		°k/w Black				
Length		50	100	150	200	300
°k/w		1.45	1.00	0.76	0.60	0.50



768AB

Typical Performance		°k/w Black				
Length		50	100	150	200	300
°k/w		0.80	0.60	0.50	0.42	0.37

