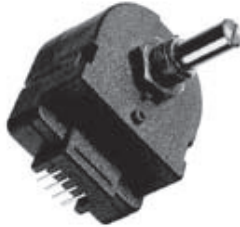


Full 360° Smart Position Sensor



FEATURES

- Ratiometric output over 360° range with no dead band
- Self-contained package not requiring external electronic interface
- Angular response 50 μ s
- Reverse polarity protection
- Absolute and non volatile positioning output



The model 601-1045 represents a new generation of Smart Sensors. This unique electronic device is a self-contained package which provides an analog electrical output over a full 360° without the need of external electronics. The low power consumption and non-volatile output makes this universal sensor the real cost-effective alternative to encoders. It's versatile design makes it suitable for a variety of industries and applications, such as CCTVs, Medical Instruments, Robotic arm control, CNC machinery, Rotational control systems, Pick n' place machines and Angular feedback applications.

STANDARD ELECTRICAL SPECIFICATIONS	
PARAMETER	
Supply	4.5 to 5.5 V _{DC}
Supply Current	20 mA max.
Absolute Maximum Supply	6 V
Independent Linearity	± 1 % typical
Resolution	Resolves down to a min. of 0.5°
Electrical Track	360° continuous
Analog Voltage Output	Not less than 90 % of supply (ratiometric) - see graphs on next page
Output Ramp Slope	Electrically switchable - see graphs
Output Impedance	1 Ω typical
Temperature Characteristic	$\pm 1^\circ$ max. over - 40/+ 70 °C
Insulation Resistance	1000 M Ω min.
Dielectric Strength	1000 V _{RMS} , 50/60 Hz

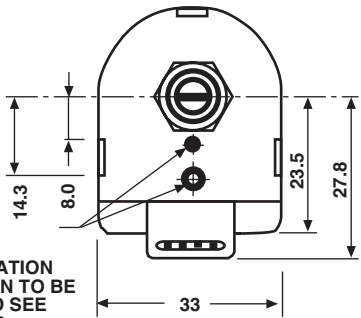
MECHANICAL SPECIFICATIONS	
Rotation	360° continuous
Rotational Speed	5 max. revs/s (duration 60 s)
Operating Torque Maximum	3.68 (0.5) mNm (oz. - in)
Weight	30 g

ENVIRONMENTAL SPECIFICATIONS	
Operating Life	5 000 000 cycles
Operating Temperature Range	- 40 °C to + 70 °C
Storage Temperature Range	- 40 °C to + 105 °C
Sealing	IP54

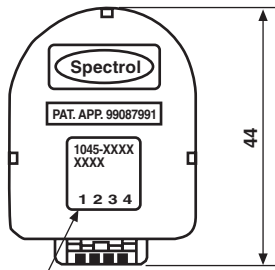
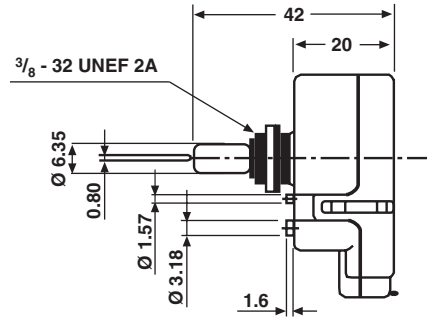
ORDERING INFORMATION/DESCRIPTION																		
601-1045 MODEL	XXXX STANDARD CONFIGURATION CODE	BO1 PACKAGING	e4 LEAD FINISH															
	<table border="1"> <thead> <tr> <th>PRODUCT NUMBER</th> <th>Ø 1.57 PIN</th> <th>Ø 3.18 PIN</th> </tr> </thead> <tbody> <tr> <td>0000</td> <td>Yes</td> <td>Yes</td> </tr> <tr> <td>0001</td> <td>Yes</td> <td>-</td> </tr> <tr> <td>0002</td> <td>-</td> <td>Yes</td> </tr> <tr> <td>0003</td> <td>-</td> <td>-</td> </tr> </tbody> </table>	PRODUCT NUMBER	Ø 1.57 PIN	Ø 3.18 PIN	0000	Yes	Yes	0001	Yes	-	0002	-	Yes	0003	-	-		
PRODUCT NUMBER	Ø 1.57 PIN	Ø 3.18 PIN																
0000	Yes	Yes																
0001	Yes	-																
0002	-	Yes																
0003	-	-																

SAP PART NUMBERING GUIDELINES			
601 MODEL	1045 STYLE 1045 or 1056	0001 PIN CONFIGURATION	B01 PACKAGING

DIMENSIONS in inches (millimeters)



ANTI-ROTATION
PIN OPTION TO BE
SPECIFIED SEE
ORDERING
INFORMATION



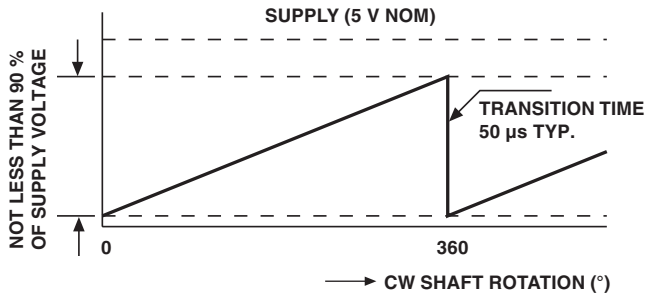
PRODUCT NO. DATE
CODE AND TERMINAL
I.D. LABEL

PIN CONNECTIONS		FUNCTION
1	+ 5 V	Supply
2	0 V	
3	Output	O/P voltage
4	Direction	Ramp polarity

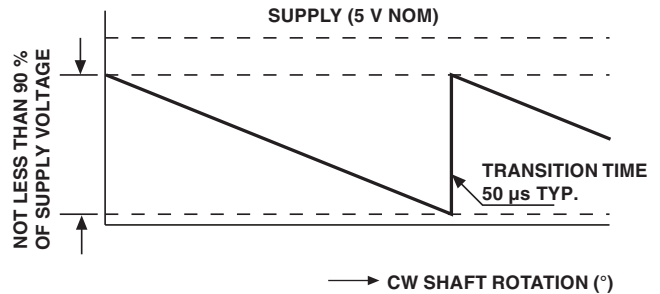
MATERIAL SPECIFICATIONS	
Housing	Plastic
Bushing	Brass, nickel plated
Shaft	Stainless steel
Pin Terminal Connector	Gold plated
Output Connection	Pin header to suit IDC connectors. e.g. Panduit C100 - F22 and Molex 7880
Bushing Mount Hardware Lock Washer, Internal Tooth	Steel, nickel plated
Panel Nut	Brass, nickel plated



CABLE ASSEMBLY FOR CONNECTION	
Part Number	601-1056-0000
Description	Molex KK
	4-way crimp connector
	4 wire (250 mm)



DEFAULT OUTPUT [Terminal #4 Open-Circuit]



REVERSE SLOPE [Terminal #4 Connected to OV]



Notice

Specifications of the products displayed herein are subject to change without notice. Vishay Intertechnology, Inc., or anyone on its behalf, assumes no responsibility or liability for any errors or inaccuracies.

Information contained herein is intended to provide a product description only. No license, express or implied, by estoppel or otherwise, to any intellectual property rights is granted by this document. Except as provided in Vishay's terms and conditions of sale for such products, Vishay assumes no liability whatsoever, and disclaims any express or implied warranty, relating to sale and/or use of Vishay products including liability or warranties relating to fitness for a particular purpose, merchantability, or infringement of any patent, copyright, or other intellectual property right.

The products shown herein are not designed for use in medical, life-saving, or life-sustaining applications. Customers using or selling these products for use in such applications do so at their own risk and agree to fully indemnify Vishay for any damages resulting from such improper use or sale.