



SANYO Semiconductors

DATA SHEET

An ON Semiconductor Company

LC898113 — CMOS LSI OIS Controller & Driver

Overview

The LC898113-TBM-H and LC898113RA-WH (referred to collectively as the LC898113 in this data sheet) are devices integrating digital gyro interface, gyro filter, stepping motor control circuit, and motor driver functions needed to implement an image stabilization system using stepping motors. These functions make it possible to build a system using a minimal software program that enables the host microcontroller to turn image stabilization on and off, for example.

The gyro filter coefficients may be set to any values by the host microcontroller, making it possible to build filter circuits optimized for the system. The LC898113 integrates a signal determination circuit for pan/tilt processing and a filter circuit, enabling implementation of a variety of processing in response to camera movements.

The LC898113 integrates four saturation-drive H-bridge channels for stepping motor drive, and PWM drive with 1-2-phase control to 8W1-2-phase control is supported.

Also integrated are a photo sensor drive circuit for control object position detection (for example, a CMOS sensor), a position determination circuit, and a circuit for moving to the optical center based on the results from the preceding circuits. Thus, the host microcontroller can specify detection start and the LC898113 will automatically move the control object to the initial position.

Both SPI and I²C are supported as serial interfaces for communication with the host microcontroller. This allows the customer to choose based on the specifications of the host microcontroller. The I²C interface also supports a 1.8 V interface.

* I²C Bus is a trademark of Philips Corporation.

- Any and all SANYO Semiconductor Co.,Ltd. products described or contained herein are, with regard to "standard application", intended for the use as general electronics equipment. The products mentioned herein shall not be intended for use for any "special application" (medical equipment whose purpose is to sustain life, aerospace instrument, nuclear control device, burning appliances, transportation machine, traffic signal system, safety equipment etc.) that shall require extremely high level of reliability and can directly threaten human lives in case of failure or malfunction of the product or may cause harm to human bodies, nor shall they grant any guarantee thereof. If you should intend to use our products for new introduction or other application different from current conditions on the usage of automotive device, communication device, office equipment, industrial equipment etc. , please consult with us about usage condition (temperature, operation time etc.) prior to the intended use. If there is no consultation or inquiry before the intended use, our customer shall be solely responsible for the use.
- Specifications of any and all SANYO Semiconductor Co.,Ltd. products described or contained herein stipulate the performance, characteristics, and functions of the described products in the independent state, and are not guarantees of the performance, characteristics, and functions of the described products as mounted in the customer's products or equipment. To verify symptoms and states that cannot be evaluated in an independent device, the customer should always evaluate and test devices mounted in the customer's products or equipment.

Features

- Serial interface
 - SPI (mode0, mode3)
 - I²C (F/S mode)
 - Selection with MODE0 pin

- Built in Gyro filter

- Digital Gyro Support
 - Built in Digital Gyro I/F for each manufacturer

- Stepping motor drive mode
 - 1-2 phase
 - W1-2 phase
 - 2W1-2 phase
 - 4W1-2 phase
 - 8W1-2 phase

- Stepping motor driver integrated in an MCP
 - Saturation driven H bridge 4ch
 - Built in thermal protection circuit
 - Built in low voltage malfunction prevention circuit
 - Built in transistor for photo sensor drive
 - Two driver power supplies (VM : for motor, V_{CC} : for others)

- Operation Clock
 - Clock generated from built in oscillation amplifier
 - Clock input directly from CLKIN pin
 - Selection with MODE1 pin
 - Recommended drive frequency 24MHz, Permission drive frequency 15MHz to 36MHz

- Package
 - FLGA49 (4mm × 4mm)
 - Lead free
 - Halogen free

- Power supply voltage (Typical voltage)
 - Logic LSI : Pin 3.3V, Inside 1.8V (External supply required)
 - Driver LSI : VM 5.0V, V_{CC} 3.3V

Electrical Characteristics

Difference between LC898113-TBM-H and LC898113RA-WH

a*) : LC898113-TBM-H

b*) : LC898113RA-WH

Absolute Maximum Ratings at V_{SS} = 0V

Parameter	Symbol	Conditions	Ratings		unit
			a*)	b*)	
Power supply voltage	V _{DD18} max	Ta ≤25°C	-0.3 to 3.6	-0.3 to 2.2	V
	V _{DD33} max	Ta ≤25°C	-0.3 to 4.6		V

LC898113

D.C. Characteristics: Input/output level/ $V_{SS} = 0V$, $V_{DD} = 2.7$ to $3.6V$, $T_a = -30$ to $85^{\circ}C$

Parameter	Symbol	Conditions	min	typ	max	unit	Applicable pin	
							a*)	b*)
High-level input voltage	V_{IH}	CMOS schmidt	1.4		0.36	V	(1)	
Low-level input voltage	V_{IL}							
High-level input voltage	V_{IH}	CMOS schmidt	1.4		0.50	V	(2)	(1) (2) (3)
Low-level input voltage	V_{IL}							
High-level input voltage	V_{IH}	CMOS schmidt	1.5		0.36	V	(3)	
Low-level input voltage	V_{IL}							

*Applicable pin

(1)ZRESET

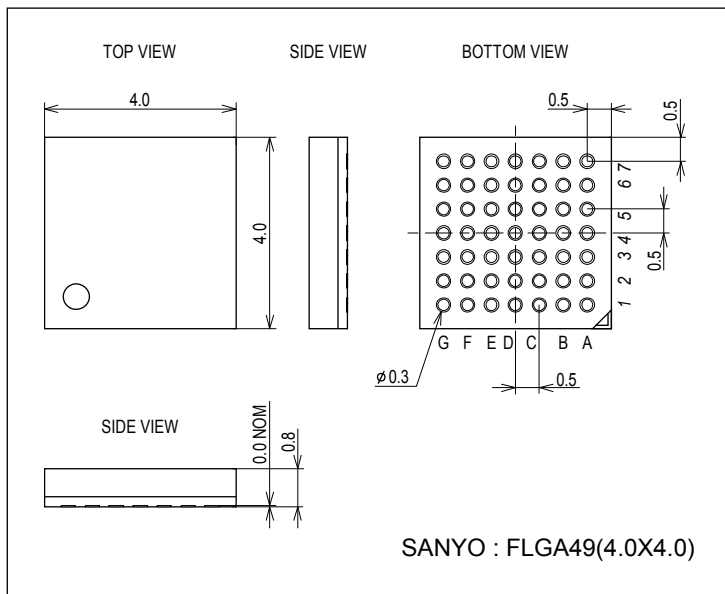
(2)CLKIN

(3)SCLK, MOSI

Package Dimensions

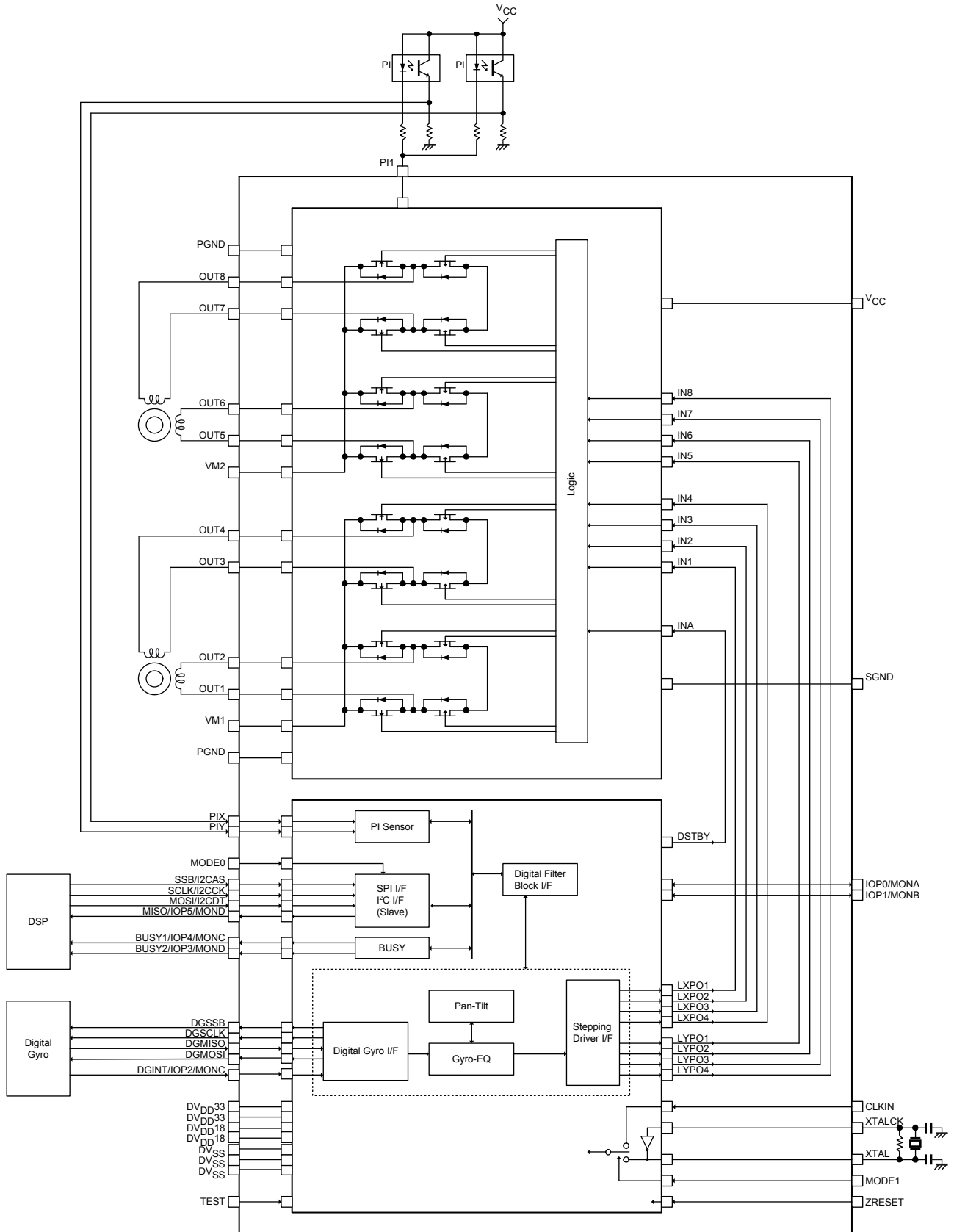
unit : mm (typ)

3441



LC898113

Block Diagram



LC898113

Pin Description

TYPE					
I	INPUT	P	Power, GND	NC	NOT CONNECT
O	OUTPUT				
B (I)	BIDIRECTION : INPUT at reset				
B (O)	BIDIRECTION : OUTPUT at reset				

Logic LSI

SPI/I²C interface (Slave)

SSB/I2CSA	I	SPI chip select/ I ² C slave address select (L: 0100100, H: 0100101, Please make sure to connect the pin to L level or H level.)
SCLK/I2CCK	B (I)	SPI clock/I ² C clock
MOSI/I2CDT	B (I)	SPI received data/I ² C data
MISO/IOP5/MOND	B (O)	SPI transmit data/Monitor pin

Sensor output signal input for reference point detection

PIX	B(I)	
PIY	B(I)	

Digital gyro interface

DGSSB	O	Digital gyro I/F chip select
DGCLK	O	Digital gyro I/F transfer clock
DGMOSI	O	Digital gyro I/F transmit data
DGMISO	I	Digital gyro I/F received data
DGINT/IOP2/MONC	B (I)	Digital gyro I/F timing signal/General-purpose port/Monitor pin

PIO interface

IOP0/MONA	B (I)	General-purpose port/Monitor pin
IOP1/MONB	B (I)	General-purpose port/Monitor pin

BUSY flag

BUSY1/IOP4/MONC	B (O)	BUSY pin (RAM access BUSY signal when SPI I/F is selected)
BUSY2/IOP3/MOND	B (O)	BUSY pin (Stepping motor force movement busy, measurement busy etc.)

Clock, Reset pin

XTALCK	I	Oscillation amplifier input (recommended drive frequency : 24MHz, permission drive frequency : 15MHz to 36MHz)
XTAL	O	Oscillation amplifier output
CLKIN	I	Clock input (Refer to XTALCK description about both recommended and permission drive frequency)
ZRESET	I	Power-on reset

Mode select pin

MODE0	I	Interface select : L→SPI, H→I ² C
MODE1	I	Clock select : L→XTALCK/XTAL use, H→CLKIN use

Test pin

TEST	I	For test mode setting (fixed to L for normal operation)
------	---	---

Power supply pin

DVDD33	P	3.3V digital power supply
DVDD18	P	1.8V digital power supply
DVSS	P	Digital ground

LC898113

*Process when pins are not used

PIN TYPE “O” —— The pin must be left open.

PIN TYPE “I” —— The pin must not be left open. Please make sure to connect the pin to VDD or VSS even when it is not used. (Please check with us whether to connect to VDD or VSS.)

PIN TYPE “B” —— Please contact us if you are uncertain about a processing method in the pin description in the PIN layout table.

A problem may occur if the processing method is used wrongly for any unused pin.
Please make sure to contact us.

Driver LSI

Saturation-driven H bridge output

OUT1 to OUT8 O Motor control pulse output

Power supply pin

VM1,VM2 P Motor power supply
VCC P Other power supply
SGND P Signal ground
PGND P Power ground

Photo sensor pin

PI1 I Photo sensor connection pin

Pin Layout

Top View

7	OUT7	OUT8	PGND2	VM2	DVSS	IOP1	CLKIN
6	OUT6	NC	NC	DVDD33	DVDD18	PIX	XTAL
5	OUT5	NC	DGMISO	ZRESET	DVSS	PIY	XTALCK
4	OUT4	DGINT	DGSSB	DGMOSI	BUSY2	BUSY1	MODE1
3	OUT3	NC	DGCLK	MODE0	SSB	MOSI	SCLK
2	OUT2	IOP0	NC	TEST	DVDD18	MISO	DVDD33
1	PGND1	OUT1	VM1	VCC	SGND	PI1	DVSS
	A	B	C	D	E	F	G

- SANYO Semiconductor Co.,Ltd. assumes no responsibility for equipment failures that result from using products at values that exceed, even momentarily, rated values (such as maximum ratings, operating condition ranges, or other parameters) listed in products specifications of any and all SANYO Semiconductor Co.,Ltd. products described or contained herein.
- Regarding monolithic semiconductors, if you should intend to use this IC continuously under high temperature, high current, high voltage, or drastic temperature change, even if it is used within the range of absolute maximum ratings or operating conditions, there is a possibility of decrease reliability. Please contact us for a confirmation.
- SANYO Semiconductor Co.,Ltd. strives to supply high-quality high-reliability products, however, any and all semiconductor products fail or malfunction with some probability. It is possible that these probabilistic failures or malfunction could give rise to accidents or events that could endanger human lives, trouble that could give rise to smoke or fire, or accidents that could cause damage to other property. When designing equipment, adopt safety measures so that these kinds of accidents or events cannot occur. Such measures include but are not limited to protective circuits and error prevention circuits for safe design, redundant design, and structural design.
- In the event that any or all SANYO Semiconductor Co.,Ltd. products described or contained herein are controlled under any of applicable local export control laws and regulations, such products may require the export license from the authorities concerned in accordance with the above law.
- No part of this publication may be reproduced or transmitted in any form or by any means, electronic or mechanical, including photocopying and recording, or any information storage or retrieval system, or otherwise, without the prior written consent of SANYO Semiconductor Co.,Ltd.
- Any and all information described or contained herein are subject to change without notice due to product/technology improvement, etc. When designing equipment, refer to the "Delivery Specification" for the SANYO Semiconductor Co.,Ltd. product that you intend to use.
- Upon using the technical information or products described herein, neither warranty nor license shall be granted with regard to intellectual property rights or any other rights of SANYO Semiconductor Co.,Ltd. or any third party. SANYO Semiconductor Co.,Ltd. shall not be liable for any claim or suits with regard to a third party's intellectual property rights which has resulted from the use of the technical information and products mentioned above.

This catalog provides information as of October, 2012. Specifications and information herein are subject to change without notice.