

5013 RGB Amplifier



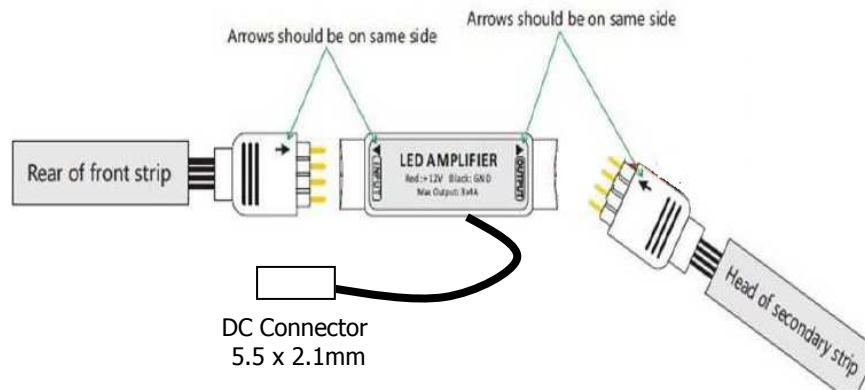
Summarization:

Strip amplifier, it makes long LED strip implementation much more conveniently. The slim design makes it easy to install together with strip or cables even in a very narrow space. Its output power is up to 144W and built with wrong wiring protection. R103 is your best choice in LED strip amplifiers.

Main feature

- Smallest LED amplifier
- Simple installation
- Specified strip connector
- High Efficiency, low heat
- Wide working voltage
- Up to 144W power
- Own embed control IC chip
- Wrong wiring protection
- Infinite cascading ability

Typical Application:



Technical Parameters:

- Output Power: 144W
- Working Voltage: DC8-16V,
- Max output current :3*4A
- Working Temperature Range:-30°C~ 75°
- Connector type: Specified Strip Connector
- Dimension: 42*13*3mm
- Net Weight:5.2g