



**P/N: FB2022D DATA SHEET**

**Feature**



- Designed for 10 BASE-T application.
- Fully compatible with IEEE 802.3 standard.
- 16-PIN DIP low profile package.
- Operating temperature range: 0°C to +70°C.
- Storage temperature range: -25°C to +125°C.

**Electrical Specifications @ 25°C**

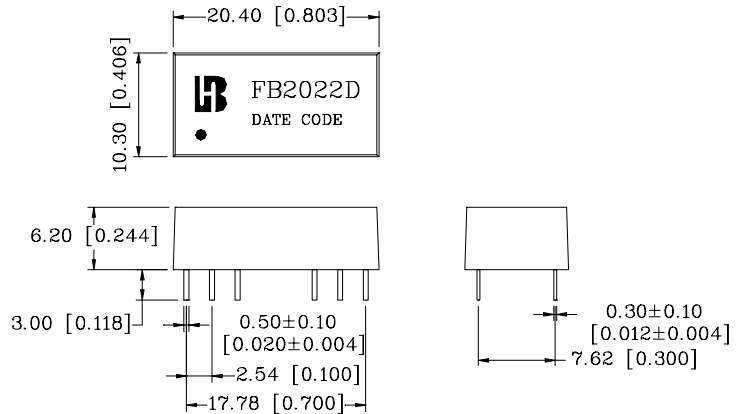
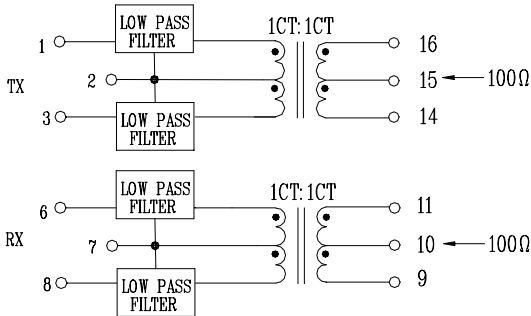
Part Number	Turns Ratio (±5%)		CUT-OFF Frequency TX/RX	HI-POT (Vrms)
	TX	RX		
FB2022D	1CT:1CT	1CT:1CT	17 MHz±1.5MHz	2000

**Continue**

Part Number	Insertion Loss TX/RX (dB Max)	Attenuation TX/RX (dB Min)			Return Loss TX/RX (dB Min)	Cross talk Attenuation (dB Min)
	1-10MHz	20MHz	30MHz	40MHz	1-12MHz	1-10MHz
FB2022D	-1.0	-6.8/-4.2	-27/-20	-32/-32	-13.5	-30

**Schematic**

**Mechanical**



Units: mm[Inches] Tolerances: xx.x0±0.25[0.010]  
0.xx±0.05[0.002]