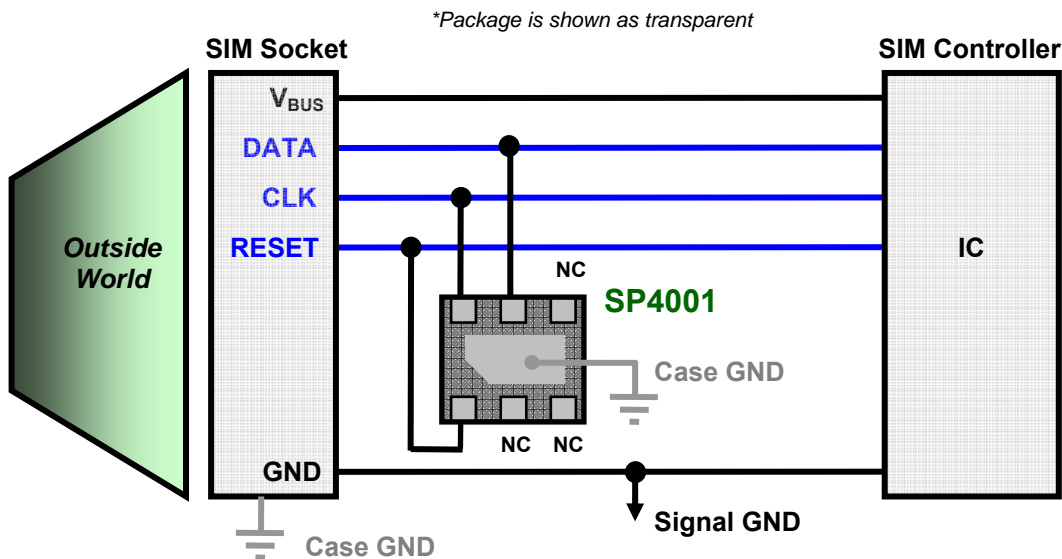


Application Guide SIM Socket

Considerations:

- The SIM (Subscriber Identification Module) card has 3 data lines that are low-speed and low-voltage
→ Given the low speed of the signals, the capacitance will not be a concern
- The low-voltage signal lines are best protected by a device which has a low standoff voltage or V_{RWM}
→ This allows the protection to turn on “earlier” in response to an over-voltage or ESD event
- Protection of the 3 data lines is shown below (i.e. CLK, DATA, and RESET)

Application Schematics:



Recommended SPA Devices:

Ordering Number	ESD Level (Contact)	Lightning ($t_p=8/20\mu s$)	I/O Capacitance	# of Channels	V_{RWM}	Packaging
SP4001-04UTG	$\pm 12kV$	4.5A	0.75pF	4	3.3V	μ DFN-6 (1.6x1.6mm)
SP3002-04UTG	$\pm 12kV$	4.5A	0.85pF	4	6V	μ DFN-6 (1.6x1.6mm)