

NTC Thermistors



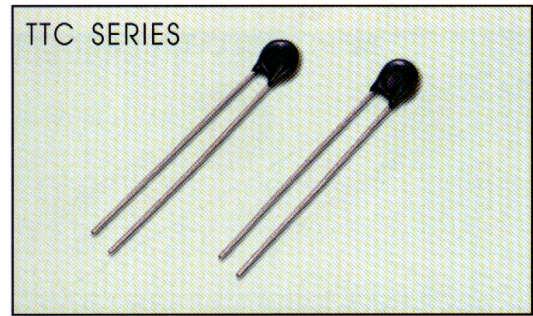
TTC Series

MERITEK

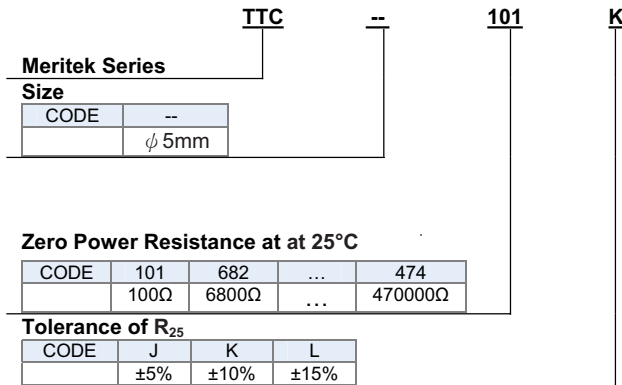
UL E223037

Features

1. RoHS compliant
2. Body size $\Phi 3\text{mm}$
3. Radial lead resin coated
4. $-40 \sim +125^\circ\text{C}$ operating temperature range
5. Wide resistance range
6. Cost effective
7. Agency recognition: UL

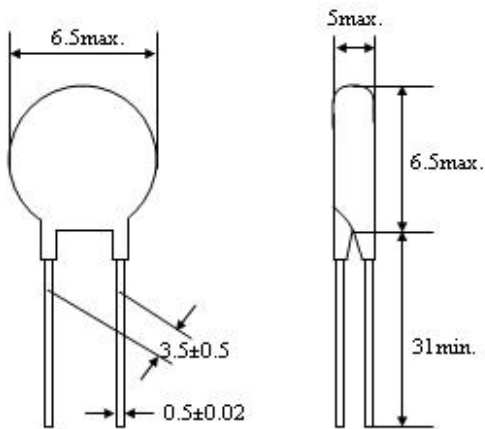


PART NUMBERING SYSTEM

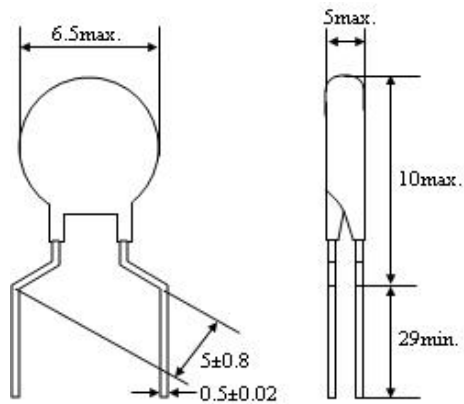


Structure and Dimensions

S type (Straight lead)



I type (Inner kink lead)



(unit: mm)



Electrical Characteristics

Part No.	Zero Power Resistance at 25°C	Tolerance of R ₂₅	B _{25/50} Value	Max. Power Rating at 25°C	Dissipation Factor	Thermal Time Constant	Operating Temperature Range	Safety Approvals
	R ₂₅ (Ω)	(±%)	(K)	P _{max} (mW)	δ(mW/°C)	τ(Sec.)	T _L ~T _U (°C)	UL
TTC--005 [^]	5	5、10、15	2400	450	Approx. 4.5	Approx. 20	-30~+125	
TTC--010 [^]	10		2800					
TTC--015 [^]	15		2800					√
TTC--020 [^]	20		2800					√
TTC--025 [^]	25		2900					√
TTC--045 [^]	45		3100					√
TTC--050 [^]	50		3100					√
TTC--060 [^]	60		3100					√
TTC--085 [^]	85		3200					√
TTC--090 [^]	90		3200					√
TTC--101 [^]	100		3200					√
TTC--121 [^]	120		3300					√
TTC--151 [^]	150		3300					√
TTC--201 [^]	200		3500					√
TTC--221 [^]	220		3500					√
TTC--251 [^]	250		3500					√
TTC--301 [^]	300		3800					√
TTC--471 [^]	470		3500					√
TTC--501 [^]	500		3700					√
TTC--681 [^]	680		3800					√
TTC--701 [^]	700		3800					√
TTC--102 [^]	1000		3800					√
TTC--152 [^]	1500		3950					√
TTC--202 [^]	2000		4000					√
TTC--222 [^]	2200		4000					√
TTC--252 [^]	2500		4000					√
TTC--302 [^]	3000		4000					√
TTC--332 [^]	3300		4000					√
TTC--402 [^]	4000		4000					√
TTC--472 [^]	4700		4050					√
TTC--502 [^]	5000		3950					√
TTC--602 [^]	6000		4050					√
TTC--682 [^]	6800		4050					√
TTC--802 [^]	8000		4050					√
TTC--103 [^]	10000		4050					√
TTC--123 [^]	12000		4050					√
TTC--153 [^]	15000		4150					√
TTC--203 [^]	20000		4250					√
TTC--303 [^]	30000		4250					√
TTC--473 [^]	47000		4300					√
TTC--503 [^]	50000	4300	√					
TTC--104 [^]	100000	4400	√					
TTC--154 [^]	150000	4500	√					
TTC--204 [^]	200000	4600	√					
TTC--224 [^]	220000	4600						
TTC--474 [^]	470000	4750	√					

Note : [^] = Tolerance of R₂₅

NTC Thermistors



TTC03 Series

MERITEK

Features

1. RoHS compliant
2. Body size $\Phi 3\text{mm}$
3. Radial lead resin coated
4. $-40 \sim +125^{\circ}\text{C}$ operating temperature range
5. Wide resistance range
6. Cost effective
7. Agency recognition: UL

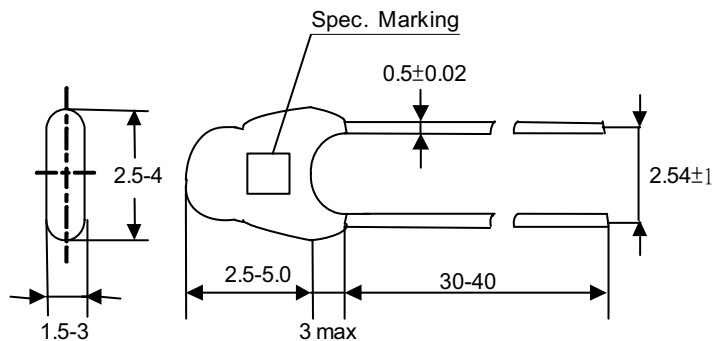
UL E223037



PART NUMBERING SYSTEM

	TTC	03	A	901	F	39	D	1			
Meritek Series											
Size											
CODE	03										
	$3\varnothing$										
Beta Value											
CODE	A	B									
	$B_{25/85}$	$B_{25/50}$									
Part No. (R25)											
CODE	102	103									
	$1\text{K}\Omega$	$10\text{K}\Omega$									
Tolerance of Resistor											
CODE	F	G	H	J	K						
(%)	± 1	± 2	± 3	± 5	± 10						
Beta Value—first 2 digits											
CODE	30	31	...	39	40	41	...				
	30	31	...	39	40	41	...				
Beta Value—last 2 digits											
CODE	0	1	...	A	B	C	D	E	F	G	H
	00	10	...	05	15	25	35	45	55	65	75
Tolerance of Beta Value											
CODE	1	2	3	...							
(%)	± 1	± 2	± 3	...							

Structure and Dimensions





Electrical Characteristics

Part No.	Zero Power Resistance at 25°C	Tolerance of R ₂₅ (±%)	B _{25/85} Value (K)	Tolerance of B value (±%)	Max. Power Rating at 25°C P _{max} (mW)	Dissipation Factor δ(mW/°C)	Thermal Time Constant τ(Sec.)	Operating Temperature Range T _L ~T _U (°C)	Safety Approvals
	R ₂₅ (KΩ)								UL
TTC03A901^39D*	0.9	1、2、3、 5、10	3935	1□2□3	150	□2.5	□18	-40~+125	√
TTC03A102^39D*	1		√						
TTC03A152^39D*	1.5		√						
TTC03A202^39H*	2		√						
TTC03A222^39H*	2.2		√						
TTC03A272^39H*	2.7		√						
TTC03A302^39H*	3		√						
TTC03A332^39H*	3.3		√						
TTC03A472^39H*	4.7		√						
TTC03A502^39H*	5		√						
TTC03A682^39H*	6.8		√						
TTC03A103^34D*	10		√						
TTC03A103^374*	10		√						
TTC03A103^39H*	10		√						
TTC03A123^374*	12		√						
TTC03A153^374*	15		√						
TTC03A203^374*	20		√						
TTC03A223^374*	22		√						
TTC03A333^409*	33		√						
TTC03A473^409*	47		√						
TTC03A503^39H*	50		√						
TTC03A503^406*	50		√						
TTC03A683^419*	68		√						
TTC03A104^419*	100		√						
TTC03A154^437*	150		√						
TTC03A224^437*	220		√						
TTC03A334^457*	330		√						
TTC03A474^457*	470		√						

Note 1: ^ = Tolerance of rR₂₅

Note 2: * = Tolerance of B value

NTC Thermistors



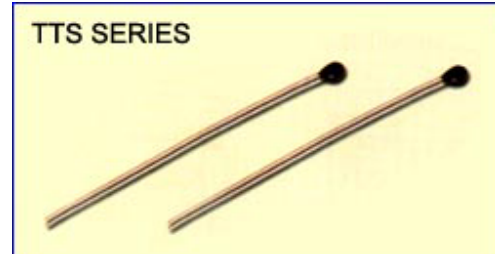
TTS Series

MERITEK

Features

1. RoHS compliant
2. Body size $\Phi 3\text{mm}$
3. Radial lead resin coated
4. $-40 \sim +125^\circ\text{C}$ operating temperature range
5. Wide resistance range
6. Cost effective
7. Agency recognition: UL

UL E223037



PART NUMBERING SYSTEM

Meritek Series		TTS	2	B	502	2	2	7	2	C
----------------	--	-----	---	---	-----	---	---	---	---	---

CODE	Body Size
1	$\Phi 2.5\text{mm}(\text{max}) \times 3\text{mm}(\text{max})$ Transparent Epoxy
2	$\Phi 2.5\text{mm}(\text{max}) \times 3\text{mm}(\text{max})$ Black Epoxy

CODE	A	B
	B _{25/85}	B _{25/50}

CODE	102	103
	1K Ω	10K Ω

CODE	F	G	H	J	K
(%)	+1	+2	+3	+5	+10

CODE	30	31	...	39	40	41	...
	30	31	...	39	40	41	...

CODE	0	1	...	A	B	C	D	E	F	G
	00	10	...	05	15	25	35	45	55	65

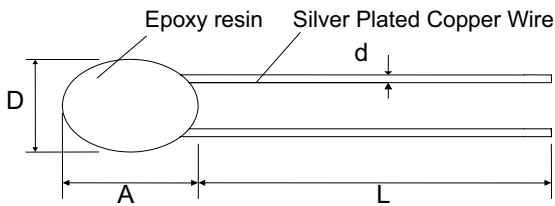
CODE	1	2	3	...
(%)	± 1	± 2	± 3	...

CODE	C	D	E	F
	$\phi 0.25\text{mm}$ Silver plated Copper wire	$\phi 0.3 \text{mm}$ Silver plated Copper wire	$\phi 0.23\text{mm}$ enameled Copper wire	$\phi 0.3\text{mm}$ enameled Copper wire
	M	P	N	
	$\phi 0.23\text{mm}$ enameled manganin wire	$\phi 0.5\text{mm}$ enameled manganin wire	$\phi 0.23\text{mm}$ enameled constantan wire	



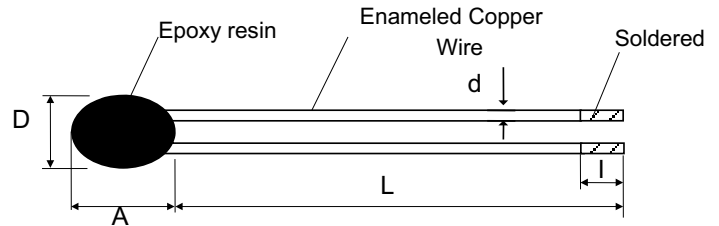
Structure and Dimensions

C Type



Part No.	Dmax.	Amax.	d	L
TTS1	1.6	3.0	0.25±0.02	40±2
TTS2	2.5	4.0		

E Type



Part No.	Dmax.	Amax.	d	L	l
TTS1	1.6	3.0	0.23±0.02	80±4	4±1
TTS2	2.5	4.0			

Electrical Characteristics

Part No.	Zero power Resistance at 25°C	Tolerance of R ₂₅	B Value		Tolerance of B value	Max. Power Rating at 25°C	Dissipation Factor	Thermal Time Constant	Operating Temperature Range	Safety Approvals
	R ₂₅ (KΩ)	(±%)	(K)		(±%)	P _{max} (mW)	δ(mW/°C)	τ(Sec.)	T _L ~T _U (°C)	UL
TTS#B502^327*	5	1,2,3,5,10	25/50	3270	1,2,3	45	^1	^10	-40 ~ +100	√
TTS#B502^347*	5		25/50	3470						√
TTS#B502^365*	5		25/50	3650						√
TTS#B502^395*	5		25/50	3950						√
TTS#B103^338*	10		25/50	3380						√
TTS#B103^347*	10		25/50	3470						√
TTS#B103^395*	10		25/50	3950						√
TTS#A103^34D	10		25/85	3435						√
TTS#A103^39H	10		25/85	3975						√
TTS#B203^395*	20		25/50	3950						√
TTS#A203^34D*	20		25/85	3435						√
TTS#A303^395*	30		25/85	3950						√
TTS#B473^395*	47		25/50	3950						√
TTS#B503^395*	50		25/50	3950						√
TTS#A503^34D*	50		25/85	3435						√
TTS#A833^40B*	83		25/85	4015						√
TTS#A104^34D*	100		25/85	3435						√
TTS#B104^410*	100		25/50	4100						√
TTS#A104^425*	100		25/85	4250						√
TTS#B474^439*	470		25/50	4390						√
TTS#A504^427*	500	25/85	4270	√						
TTS#B504^430*	500	25/50	4300	√						

Note 1: # = Body Size, ^ = Tolerance of R₂₅, * = Tolerance of B value



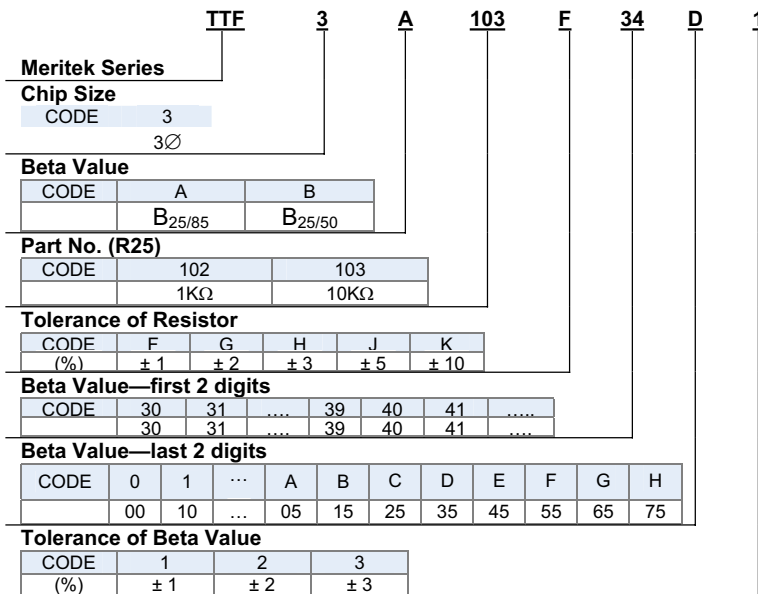
UL E223037

Features

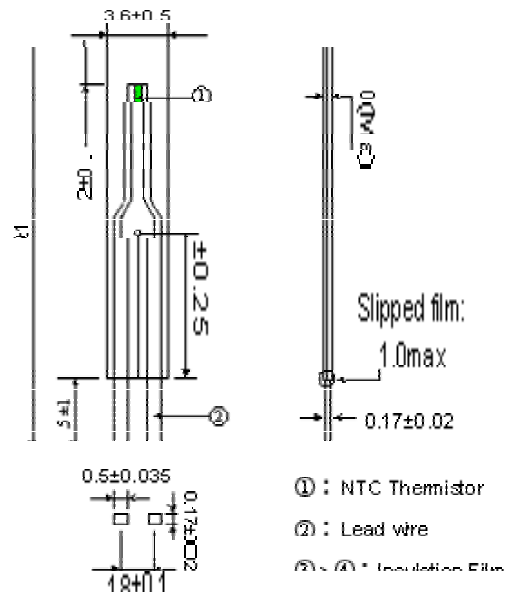
1. RoHS compliant
2. Radial leaded insulation film coated
3. -40 ~ +100°C operating temperature range
4. Agency recognition: UL



PART NUMBERING SYSTEM



Structure and Dimensions



Electrical Characteristics

Part No.	Zero Power Resistance at 25°C	Tolerance of R ₂₅	B _{25/85} Value	Tolerance of B value	Max. Power Rating at 25°C	Dissipation Factor	Thermal Time Constant	Operating Temperature Range	Safety Approvals
	R ₂₅ (KΩ)								(±%)
TTF3A502^34D*	5	1,2,3, 5,10	3435	1,2,3	3.5	Approx. 0.7	Approx. 5	-40 ~ +100	√
TTF3A103^34D*	10								√
TTF3A203^34D*	20								√
TTF3A303^34D*	30								√
TTF3A473^34D*	47								√
TTF3A473^39H*	47								3975
TTF3A473^419*	47		4190	√					
TTF3A503^34D*	50		3435	√					
TTF3A104^34D*	100		3435	√					
TTF3A104^39H*	100		3975	√					
TTF3A224^405*	220		4050	√					

Note 1: ^ = Tolerance of R₂₅

Note 2: * = Tolerance of B value

Specifications are subject to change without notice.



UL E223037

Features

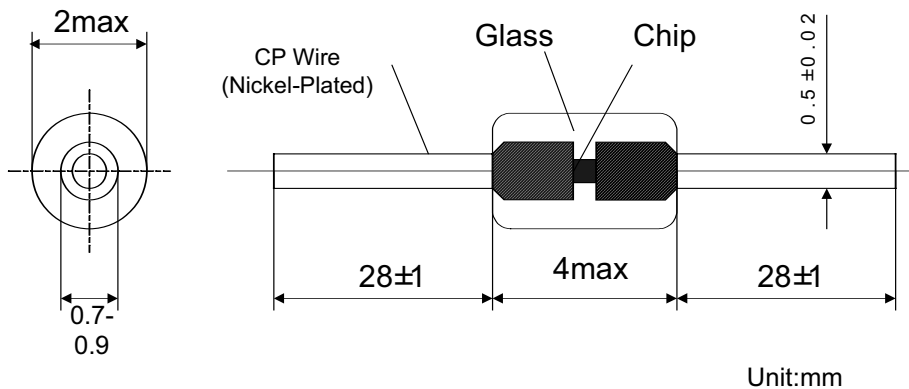
1. RoHS compliant.
2. Body size ϕ 2mm X 4mm.
3. Axial lead glass-sealed.
4. $-40 \sim +300^{\circ}\text{C}$ operating temperature range.
5. Agency recognition: UL.



PART NUMBERING SYSTEM

	DHT	0	B	502	F	35	5	2			
Meritek Series											
Size											
CODE	0										
	ϕ 2X4										
Beta Value											
CODE	A		B								
	B _{25/85}		B _{25/50}								
Part No. (R25)											
CODE	102		103								
	1K Ω		10K Ω								
Tolerance of Resistor											
CODE	F	G	H	J	K						
(%)	± 1	± 2	± 3	± 5	± 10						
Beta Value—first 2 digits											
CODE	30	31	...	39	40	41	...				
	30	31	...	39	40	41	...				
Beta Value—last 2 digits											
CODE	0	1	...	A	B	C	D	E	F	G	H
	00	10	...	05	15	25	35	45	55	65	75
Tolerance of Beta Value											
CODE	1	2	3	...							
(%)	± 1	± 2	± 3	...							

Structure and Dimensions



NTC Thermistors



DHT Series

MERITEK

Electrical Characteristics

Part No.	Zero Power Resistance at 25°C	Tolerance of R ₂₅	B Value		Tolerance of B Value	Max. Power Rating at 25°C	Dissipation Factor	Thermal Time Constant	Operating Temperature Range	Safety Approvals
	R ₂₅ (KΩ)	(±%)	(K)		(±%)	P _{max} (mW)	δ(mW/°C)	τ(Sec.)	T _L ~T _U (°C)	UL
DHT0B502^355*	5	1,2,3,5,10	25/50	3550	1,2,3	120	^2	^10	-40~+300 (Ni-plated cp wire)	√
DHT0B103^355*	10		25/50	3550						√
DHT0B103^395*	10		25/50	3950						√
DHT0A103^327*	10		25/85	3270						
DHT0A103^34D*	10		25/85	3435						
DHT0A103^347*	10		25/85	3470						
DHT0A103^370*	10		25/85	3700						
DHT0A103^39H*	10		25/85	3975						
DHT0B203^395*	20		25/50	3950						
DHT0B203^420*	20		25/50	4200						
DHT0B303^395*	30		25/50	3950						
DHT0B473^395*	47		25/50	3950						
DHT0B503^395*	50		25/50	3950						
DHT0B104^395*	100		25/50	3950						
DHT0B104^400*	100		25/50	4000						
DHT0A104^39H*	100		25/85	3975						
DHT0A104^430*	100		25/85	4300						
DHT0A204^400*	200		25/85	4000						
DHT0A204^420*	200		25/85	4200						
DHT0A204^430*	200		25/85	4300						
DHT0B204^395*	200	25/50	3950							
DHT0B204^420*	200	25/50	4200							

Note 1: ^ = Tolerance of R₂₅

Note 2: * = Tolerance of B value