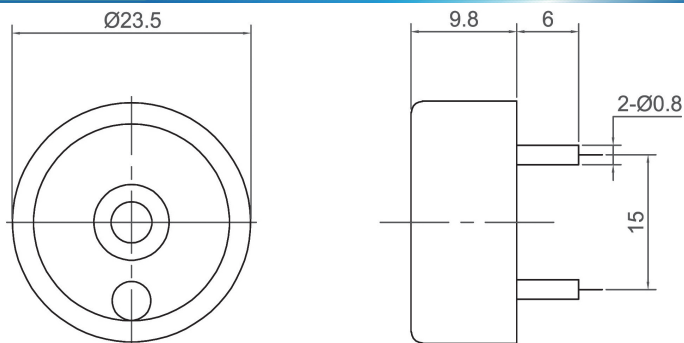


# Piezo Buzzer (DC)

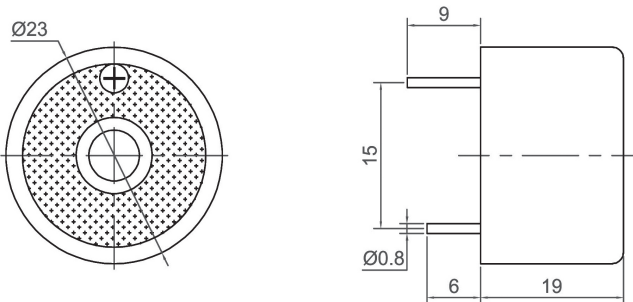


CPB2310

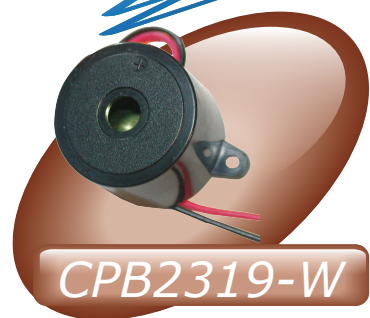
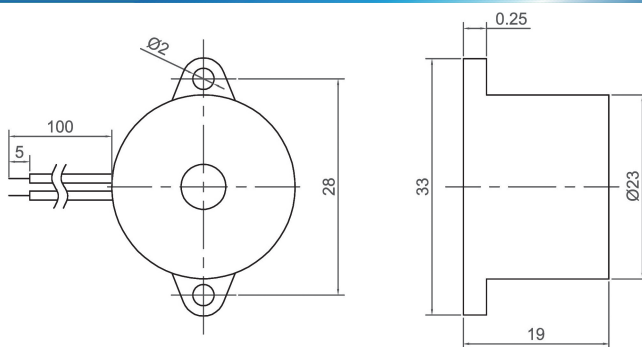
| Canopus Part no. | Operating Voltage (VDC) | Rated Voltage (VDC) | Max Rated Current (mA) | Min Sound Output (dBA) | Resonant Frequency (Hz) | Tone Nature | Operating Temperature (°C) | Housing | Weight (g) |
|------------------|-------------------------|---------------------|------------------------|------------------------|-------------------------|-------------|----------------------------|---------|------------|
| CPB2310EC35TP    | 1.5 ~ 18                | 5                   | 10                     | 80 at 30cm             | 3500 ± 500              | Continuous  | -20 ~ +70                  | PBT     | 4          |
| CPB2310HC35TP    | 1.5 ~ 28                | 12                  | 10                     | 85 at 30cm             | 3500 ± 500              | Continuous  | -20 ~ +60                  | PBT     | 4          |
| CPB2310IC35TP    | 12 ~ 36                 | 24                  | 10                     | 85 at 30cm             | 3500 ± 500              | Continuous  | -20 ~ +60                  | PBT     | 4          |



CPB2319-P



| Canopus Part no. | Operating Voltage (VDC) | Rated Voltage (VDC) | Max Rated Current (mA) | Min Sound Output (dBA) | Resonant Frequency (Hz) | Tone Nature | Operating Temperature (°C) | Housing | Weight (g) |
|------------------|-------------------------|---------------------|------------------------|------------------------|-------------------------|-------------|----------------------------|---------|------------|
| CPB2319HC33BP    | 1 ~ 18                  | 12                  | 15                     | 90 at 30cm             | 3300 ± 500              | Continuous  | -20 ~ +60                  | ABS     | 8          |
| CPB2319IC34BP    | 18 ~ 28                 | 24                  | 20                     | 90 at 30cm             | 3400 ± 500              | Continuous  | -20 ~ +60                  | ABS     | 8          |
| CPB2319LC33BP    | 10 ~ 130 VAC            | 110 VAC             | 10                     | 85 at 30cm             | 3300 ± 500              | Continuous  | -20 ~ +60                  | ABS     | 8          |
| CPB2319MC33BP    | 30 ~ 264 VAC            | 220                 | 5                      | 80 at 30cm             | 3300 ± 500              | Continuous  | -20 ~ +60                  | ABS     | 8          |



CPB2319-W

| Canopus Part no. | Operating Voltage (VDC) | Rated Voltage (VDC) | Max Rated Current (mA) | Min Sound Output (dBA) | Resonant Frequency (Hz) | Tone Nature | Operating Temperature (°C) | Housing | Weight (g) |
|------------------|-------------------------|---------------------|------------------------|------------------------|-------------------------|-------------|----------------------------|---------|------------|
| CPB2319HC33BW    | 1 ~ 18                  | 12                  | 15                     | 90 at 30cm             | 3300 ± 500              | Continuous  | -20 ~ +60                  | ABS     | 8          |
| CPB2319IC34BW    | 18 ~ 28                 | 24                  | 20                     | 90 at 30cm             | 3400 ± 500              | Continuous  | -20 ~ +60                  | ABS     | 8          |
| CPB2319LC33BW    | 10 ~ 130 VAC            | 110 VAC             | 10                     | 85 at 30cm             | 3300 ± 500              | Continuous  | -20 ~ +60                  | ABS     | 8          |
| CPB2319MC33BW    | 30 ~ 264 VAC            | 220                 | 5                      | 80 at 30cm             | 3300 ± 500              | Continuous  | -20 ~ +60                  | ABS     | 8          |

CANOPUS

Your Efficient Supplier  
[www.canopus.com.hk](http://www.canopus.com.hk)

TEL.: (852) 2806 2812

Fax: (852) 2652 2216