

# Customer Information Sheet

DRAWING No.: M80-943XXXX

SHEET 2 OF 2

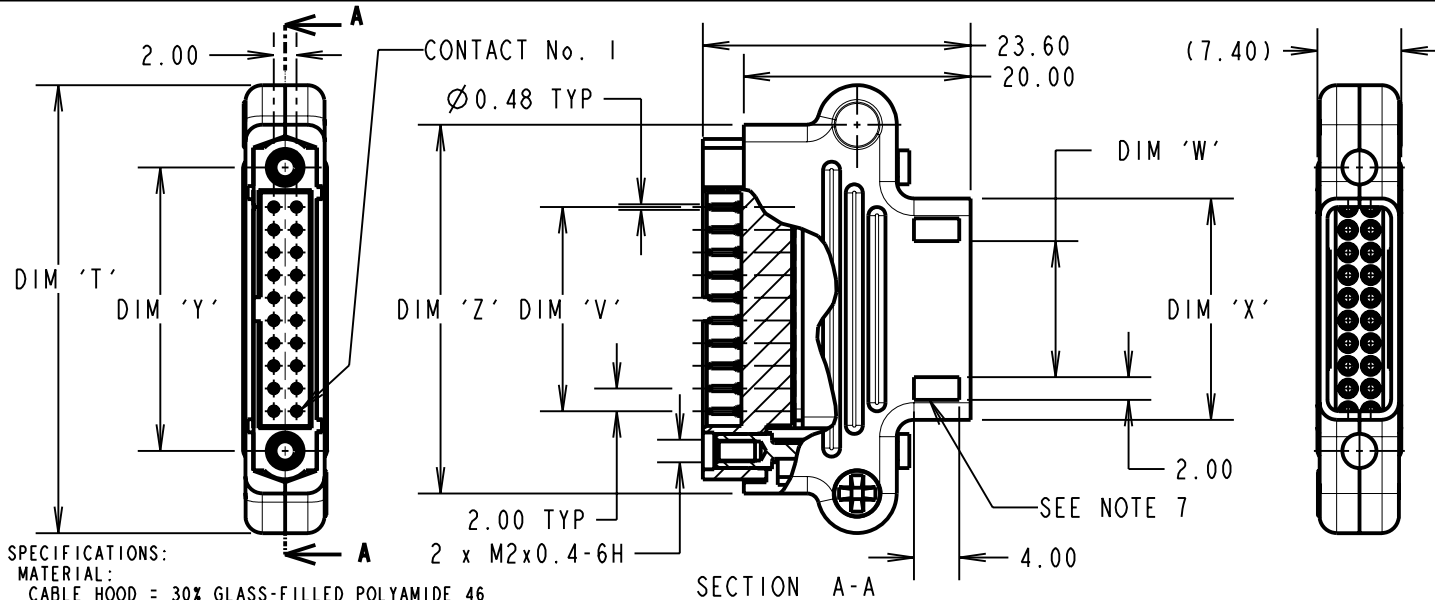
IF IN DOUBT - ASK

(C)

NOT TO SCALE

THIRD ANGLE PROJECTION

ALL DIMENSIONS IN mm



ORDER CODE:  
**M80-943XXXX**

TOTAL No. OF CONTACTS  
 06, 08, 10, 12, 14  
 20, 26, 34, 42, 50

FINISH  
 05 - GOLD  
 46 - 100% TIN

- NOTES:
- CONNECTORS ARE SUPPLIED WITH CONTACTS, CABLE HOOD SET, AND CABLE HOOD FIXING SCREWS LOOSE.
  - FOR EXTRA CONTACTS, USE PART NUMBER M80-1940005 FOR M80-943XX05 AND M80-1940006 FOR M80-943XX46.
  - RECOMMENDED WIRE TYPE = BS 3G 210 TYPE A, PTFE INSULATED 22 AWG. MAX INSULATION DIAMETER = Ø1.10mm, STRIP WIRE BY 2.00mm.
  - RECOMMENDED HAND CRIMP TOOL = M22520/2-01 WITH POSITIONER Z80-193.
  - CONTACT INSERTION AND EXTRACTION TOOL = Z80-280.
  - INSTRUCTION SHEETS ARE AVAILABLE.
  - NO CABLE TIE SLOTS ON M80-94306XX AND M80-94308XX.

SPECIFICATIONS:  
 MATERIAL:  
 CABLE HOOD = 30% GLASS-FILLED POLYAMIDE 46  
 DATAMATE MOULDING = 30% GLASS-FILLED PPS,  
 UL94V-0, BLACK

CONTACT = BRASS  
 JACKSCREW = STAINLESS STEEL  
 CABLE HOOD FIXING SCREW = MILD STEEL

FINISH:  
 CONTACT:  
 05 = 0.25-0.3µ GOLD  
 46 = 3.5-5.0µ 100% TIN  
 CABLE HOOD FIXING SCREW = CHEMI-BLACK

ELECTRICAL:  
 CURRENT RATING AT 25°C = 3.0A MAX  
 CURRENT RATING AT 85°C = 2.2A MAX  
 WORKING VOLTAGE = 120V AC/DC  
 VOLTAGE PROOF = 360V AC/DC  
 CONTACT RESISTANCE = 25 mΩ MAX  
 INSULATION RESISTANCE = 100 MΩ MIN

MECHANICAL:  
 DURABILITY = 500 OPERATIONS

ENVIRONMENTAL:  
 TEMPERATURE RANGE = -55°C TO +125°C

PACKING:  
 LOOSE

FOR COMPLETE SPECIFICATION, SEE COMPONENT SPECIFICATION C005XX (LATEST ISSUE)

PART NUMBER	No. OF CONTACTS	PART DIMENSIONS					
		DIM 'T'	DIM 'V'	DIM 'W'	DIM 'X'	DIM 'Y'	DIM 'Z'
M80-94306XX	6	25.50	4.00	N/A	5.50	11.00	18.50
M80-94308XX	8	27.50	6.00	N/A	7.50	13.00	20.50
M80-94310XX	10	29.50	8.00	2.00	9.50	15.00	22.50
M80-94312XX	12	31.50	10.00	4.00	11.50	17.00	24.50
M80-94314XX	14	33.50	12.00	6.00	13.50	19.00	26.50
M80-94320XX	20	39.50	18.00	12.00	19.50	25.00	32.50
M80-94326XX	26	45.50	24.00	18.00	22.50	31.00	38.50
M80-94334XX	34	53.50	32.00	26.00	33.50	39.00	46.50
M80-94342XX	42	61.50	40.00	34.00	41.50	47.00	54.50
M80-94350XX	50	69.50	48.00	42.00	49.50	55.00	62.50

RA	4	16.12.09	10609
NAME	ISS.	DATE	C/NOTE
APPROVED:		R. ADDE	
CHECKED:		M.G. PLESTED	
DRAWN:		N. CODLING	
CUSTOMER REF.:			
ASSEMBLY DRG:			

**HARWIN**

HARWIN USA TEL: 603 893 5376 FAX: 603 893 5396 mis@harwin.com	HARWIN Europe (UK) TEL: 023 9231 4545 FAX: 023 9231 4590 mis@harwin.co.uk	HARWIN Asia TEL: +65 6 779 4909 FAX: +65 6 779 3868 mis@harwin.com.sg
--	--	--

THIS DRAWING AND ANY INFORMATION OR DESCRIPTIVE MATTER SET OUT HEREON ARE CONFIDENTIAL AND COPYRIGHT PROPERTY OF THE HARWIN GROUP AND MUST NOT BE DISCLOSED, LOANED, COPIED OR USED FOR MANUFACTURING, TENDERING OR FOR ANY OTHER PURPOSE WITHOUT THEIR WRITTEN PERMISSION.

TOLERANCES  
 X. = ±1mm  
 X.X = ±0.25mm  
 X.XX = ±0.10mm  
 X.XXX = ±0.01mm

ANGLES = ±5°  
 UNLESS STATED

MATERIAL:  
 SEE ABOVE

FINISH: SEE ABOVE

S/AREA: mm<sup>2</sup>

TITLE: JACKSCREW DATAMATE DIL CRIMP (LARGE BORE) MALE ASSY WITH CABLE HOOD KIT

DRAWING NUMBER:  
**M80-943XXXX**

SHT 2 OF 2