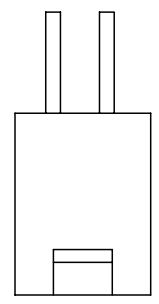
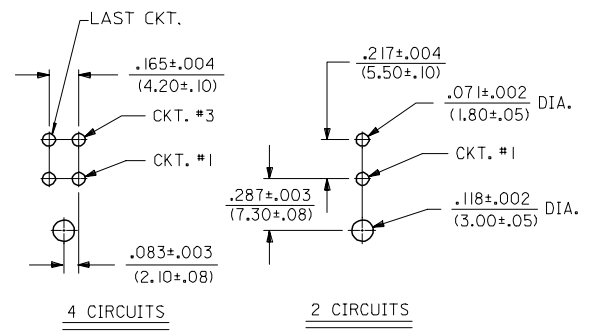
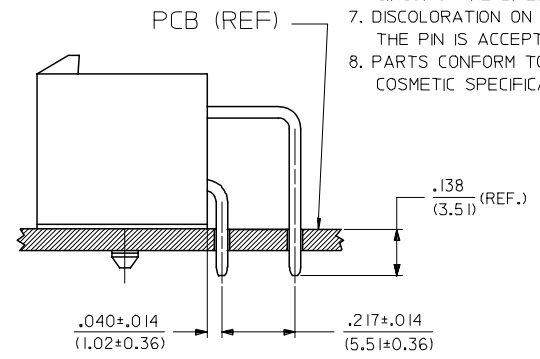
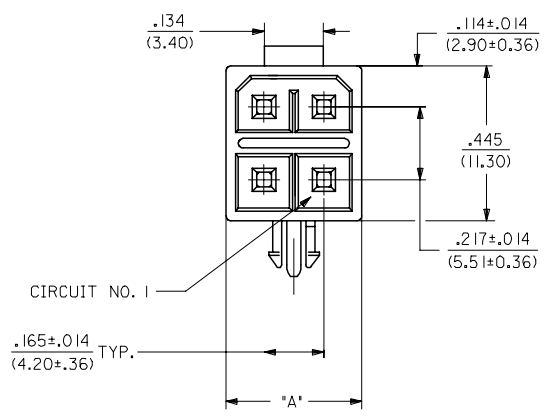


CKT. SIZE	PART NUMBER	DIM. "A"
2	30070-0215	.213 (5.40)
	30070-0212	.378 (9.60)
4	30070-0415	.165 (4.20)
	30070-0412	.165 (4.20)

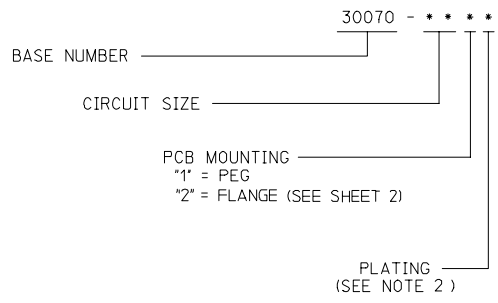


**OPTION 1  
PEG MOUNT**  
SEE SHEET 2 FOR FLANGE MOUNT

- NOTES:
- MATERIAL:  
HOUSING: POLYESTER, UNFILLED, UL94 V-0, COLOR: BLACK  
TERMINALS: BRASS
  - TERMINAL PLATING:  
5--.000100/(0.00254) MIN. BRIGHT TIN OVER  
.000050/(0.00127) MIN. NICKEL  
2--.000030/(0.00076) MIN. SELECT GOLD AND  
.000100/(0.00254) MIN. SELECT MATTE TIN OVER  
.000050/(0.00127) MIN. NICKEL OVERALL
  - PRODUCT SPECIFICATION: PS-5556-003
  - PACKAGING: BULK
  - PART MATES WITH MINI-FIT JR. TPA RECEPTACLE 30067.
  - PARTS ARE NOT TO BE MATED OR UNMATED WHILE CIRCUITS ARE LIVE.
  - DISCOLORATION ON THE BANDOLIER CARRIER AREA OF THE PIN IS ACCEPTABLE.
  - PARTS CONFORM TO CLASS "B" REQUIREMENTS OF COSMETIC SPECIFICATION PS-45499-002.



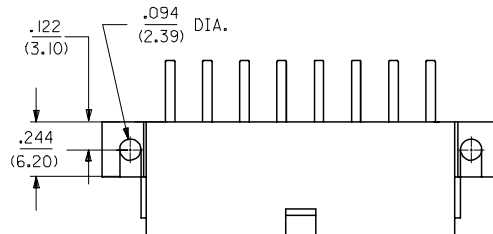
**FINISHED PART LEGEND**



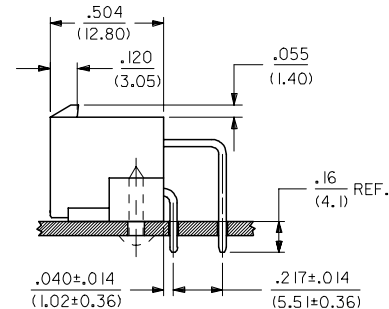
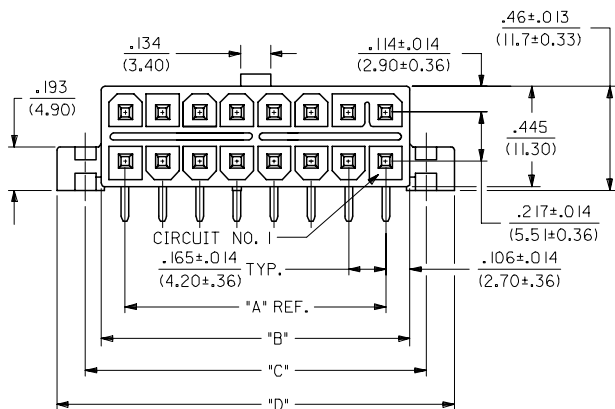
RECOMMENDED HOLE LAYOUT FOR .070/(1.78) MAX. P.C. BOARD  
VIEWED FROM COMPONENT SIDE OF BOARD

REVISED FC NO: UICP2008-0968 DRAWN:LSCHMIDT 2007/10/26 CHKD:ADERR 2007/10/26 APPR:FSM TH 2007/10/29	QUALITY SYMBOLS =0 =0	GENERAL TOLERANCES (UNLESS SPECIFIED)		DIMENSION STYLE IN/MM		SCALE 4:1	DESIGN UNITS METRIC	THIRD ANGLE PROJECTION
		mm	INCH	DRAWN BY TGREGOR I	DATE 2006/03/28	TITLE MINI-FIT TPA RIGHT ANGLE HEADER ASSY		
REVISIONS C	DESCRIPTION	4 PLACES	± .010	CHECKED BY JCOMERC I	DATE 2006/03/28	MOLEX INCORPORATED DOCUMENT NO. SD-30070-001 SHEET NO. 1 OF 2		
		3 PLACES	± .014	APPROVED BY JCOMERC I	DATE 2006/03/28			
		2 PLACES	± 0.25	DRAFT WHERE APPLICABLE MUST REMAIN WITHIN DIMENSIONS		SEE TABLE		
		1 PLACE	± 0.36	THIS DRAWING CONTAINS INFORMATION THAT IS PROPRIETARY TO MOLEX INCORPORATED AND SHOULD NOT BE USED WITHOUT WRITTEN PERMISSION				

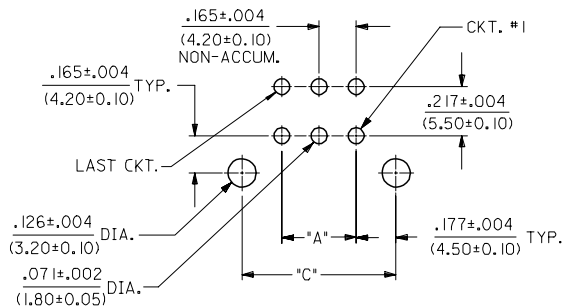
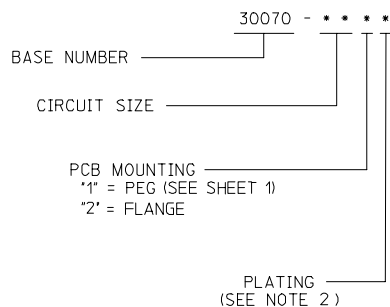
CKT. SIZE	PART NUMBER	DIM. "A"	DIM. "B"	DIM. "C"	DIM. "D"
2	30070-0225	—	.213	.354	.606
	30070-0222	—	(5.40)	(9.00)	(15.40)
4	30070-0425	.165	.378	.520	.772
	30070-0422	(4.20)	(9.60)	(13.20)	(19.60)
6	30070-0625	.331	.543	.685	.937
	30070-0622	(8.40)	(13.80)	(17.40)	(23.80)
8	30070-0825	.496	.709	.850	1.102
	30070-0822	(12.60)	(18.00)	(21.60)	(28.00)
10	30070-1025	.661	.874	1.016	1.268
	30070-1022	(16.80)	(22.20)	(25.80)	(32.20)
12	30070-1225	.827	1.039	1.181	1.433
	30070-1222	(21.00)	(26.40)	(30.00)	(36.40)
16	30070-1625	1.157	1.370	1.512	1.764
	30070-1622	(29.40)	(34.80)	(38.40)	(44.80)



**OPTION 2**  
**FLANGE MOUNT**  
 SEE SHEET 1 FOR PEG MOUNT



**FINISHED PART LEGEND**



**RECOMMENDED HOLE LAYOUT FOR .070/(1.78) MAX. P.C. BOARD**  
 VIEWED FROM COMPONENT SIDE OF BOARD

<b>SEE SHEET 1</b> FCC NO: UCP2008-0968 2007/10/26 DRW:NLSCHM/DT 2007/10/26 CHKD:ADERR 2007/10/26 APPR:FSM/TH 2007/10/29 REV:	QUALITY SYMBOLS 	GENERAL TOLERANCES (UNLESS SPECIFIED) <table border="1"> <thead> <tr> <th></th> <th>mm</th> <th>INCH</th> </tr> </thead> <tbody> <tr> <td>4 PLACES</td> <td>± .005</td> <td>± .0004</td> </tr> <tr> <td>3 PLACES</td> <td>± .008</td> <td>± .0006</td> </tr> <tr> <td>2 PLACES</td> <td>± .015</td> <td>± .0012</td> </tr> <tr> <td>1 PLACE</td> <td>± .030</td> <td>± .0012</td> </tr> </tbody> </table>		mm	INCH	4 PLACES	± .005	± .0004	3 PLACES	± .008	± .0006	2 PLACES	± .015	± .0012	1 PLACE	± .030	± .0012	DIMENSION STYLE IN/MM	SCALE 4:1	DESIGN UNITS METRIC	THIRD ANGLE PROJECTION 
		mm	INCH																		
	4 PLACES	± .005	± .0004																		
	3 PLACES	± .008	± .0006																		
2 PLACES	± .015	± .0012																			
1 PLACE	± .030	± .0012																			
DRAWN BY TGREGOR I	DATE 2006/03/28	CHECKED BY JCOMERC I	DATE 2006/03/28	MINI-FIT TPA RIGHT ANGLE HEADER ASSY																	
APPROVED BY JCOMERC I	DATE 2006/03/28	MOLEX INCORPORATED			SHEET NO. 2 OF 2																
DRAFT WHERE APPLICABLE MUST REMAIN WITHIN DIMENSIONS		MATERIAL NO. SEE TABLE	DOCUMENT NO. SD-30070-001	THIS DRAWING CONTAINS INFORMATION THAT IS PROPRIETARY TO MOLEX INCORPORATED AND SHOULD NOT BE USED WITHOUT WRITTEN PERMISSION																	