

# 10/100BASE-TX QUAD PORT TRANSFORMER MODULES

For Use with Level One's LXT974, LXT975 and LXT980 Series of PHY Solutions



- Ⓜ Patented interlock base design for high reliability
- Ⓜ Compliant with IEEE 802.3u and ANSI X3.263 standards including 350  $\mu$ H OCL with 8 mA bias from 0°C to 70°C
- Ⓜ Designed for optimal single and double stacked RJ-45 layouts
- Ⓜ IC grade, transfer-molded package withstands 235°C peak temperature profile

## Electrical Specifications @ 25°C — Operating Temperature 0°C to 70°C

| Part Number | Insertion Loss (dB TYP) | Return Loss (dB TYP) |          |        |        | Crosstalk (dB MIN) |       |        |        | Common to Common Rejection Ratio 0.1-60 MHz (db MIN) |          | Differential to Common Mode Rejection (dB MIN) |          |
|-------------|-------------------------|----------------------|----------|--------|--------|--------------------|-------|--------|--------|--|----------|--|----------|
|             |                         | 0.1-100 MHz          | 2-30 MHz | 40 MHz | 50 MHz | 60-80 MHz          | 1 MHz | 30 MHz | 60 MHz | 100 MHz  | Transmit | Receive  | 1-60 MHz |
| H1068       | -0.5                    | -21                  | -17      | -14.5  | -12    | -60                | -50   | -40    | -35    | -30  | -30      | -40  | -30      |
| H1069       | -0.5                    | -21                  | -17      | -14.5  | -12    | -60                | -50   | -40    | -35    | -30  | -30      | -40  | -30      |
| H1074       | -0.5                    | -21                  | -17      | -14.5  | -12    | -60                | -50   | -40    | -35    | -30  | -30      | -40  | -30      |

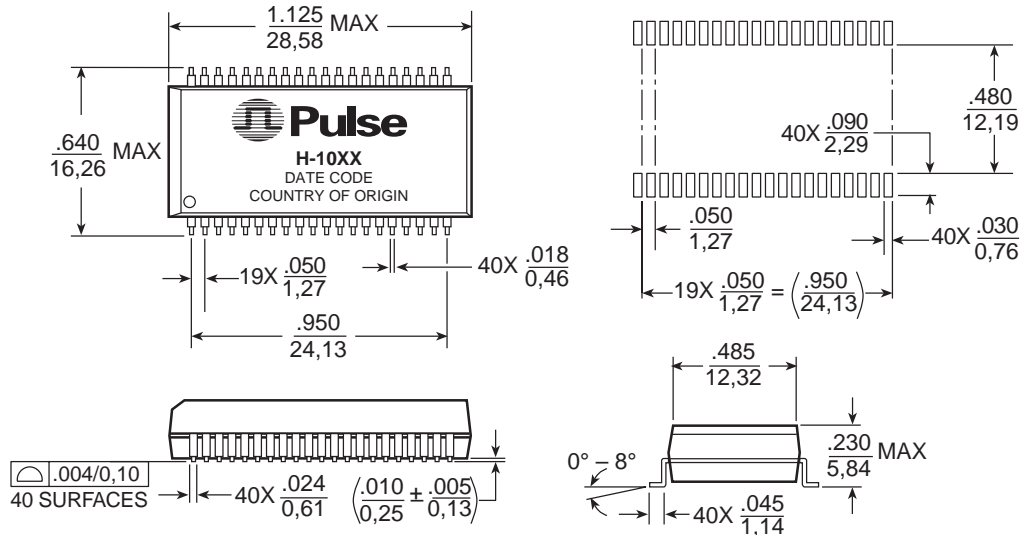
**NOTES:**

1. All product meets input/output breakdown (HiPot) of 1500 Vrms.
2. Transfer molding material is UL-94V0 flammability rated.

U.S. Patent No. 5,015,981

## Mechanical

### H10XX



Dimensions: Inches / mm Unless otherwise specified, all tolerances are  $\pm .010$  /  $0,25$

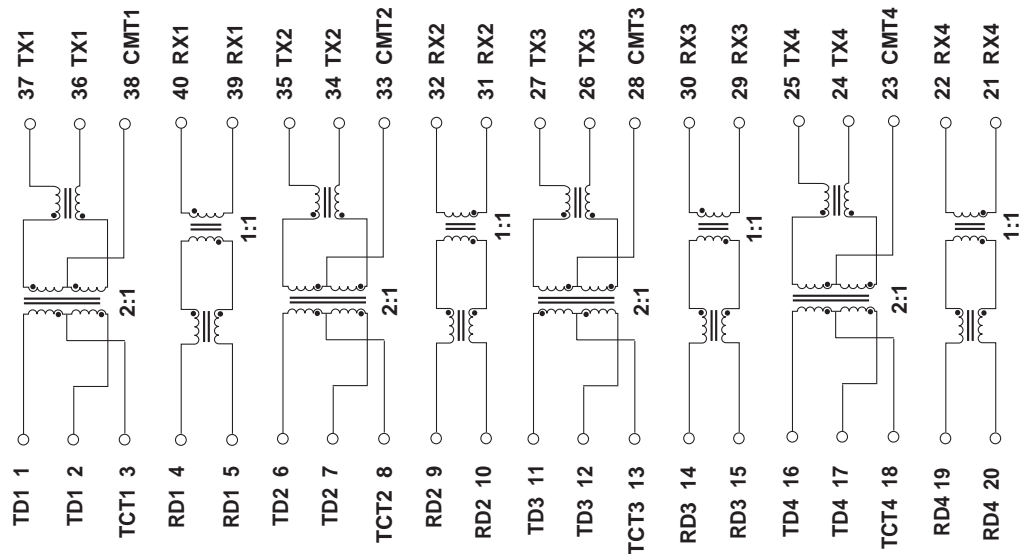
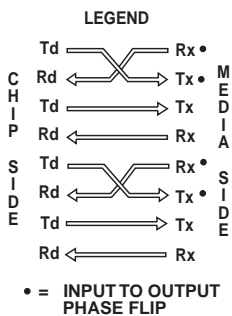
# 10/100BASE-TX QUAD PORT TRANSFORMER MODULES

For Use with Level One's LXT974, LXT975 and LXT980 Series of PHY Solutions



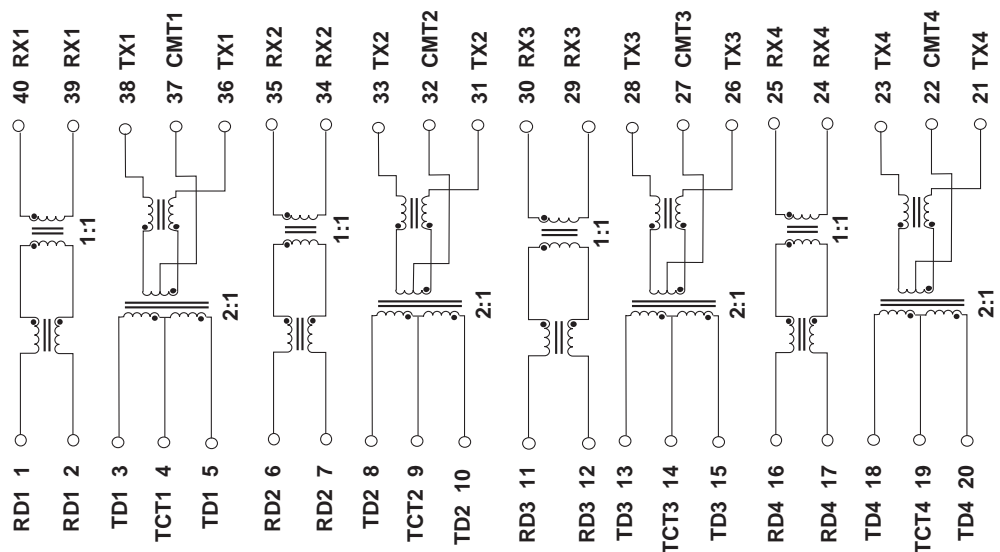
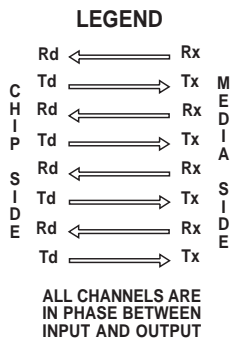
## Schematics

**H1068**



**NOTE:** The H1068 provides for direct single plane routing for a double stack RJ-45 and for direct single plane routing to the LXT980.

**H1069**



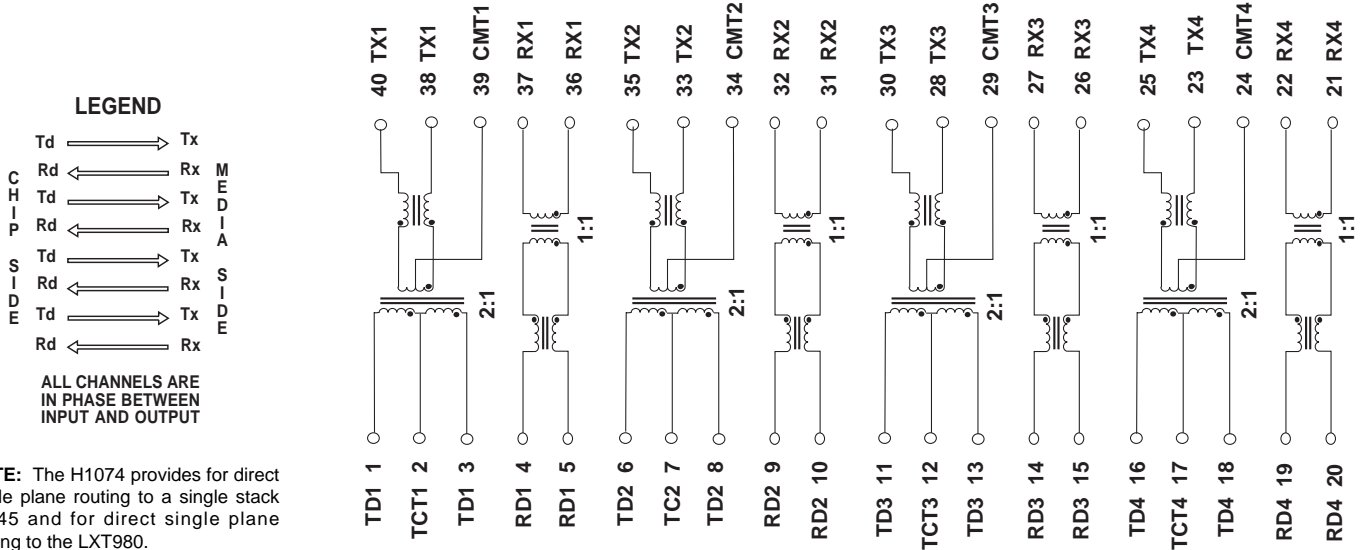
# 10/100BASE-TX QUAD PORT TRANSFORMER MODULES

For Use with Level One's LXT974, LXT975 and LXT980 Series of PHY Solutions



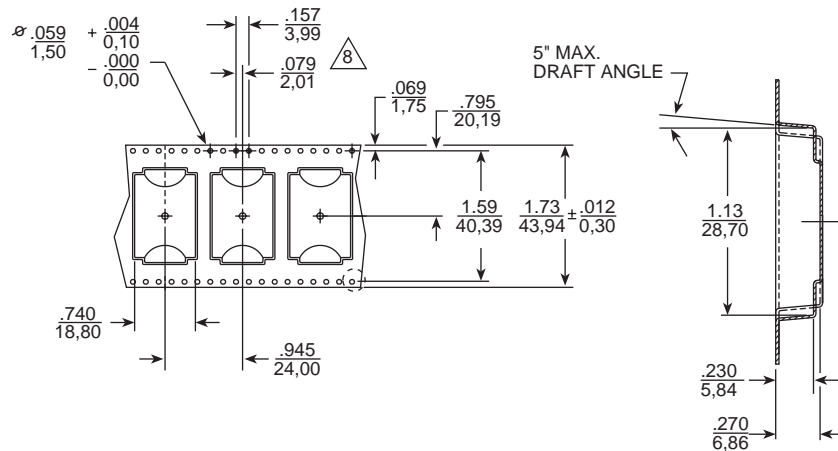
## Schematic

**H1074**



**NOTE:** The H1074 provides for direct single plane routing to a single stack RJ-45 and for direct single plane routing to the LXT980.

## Tape and Reel Specifications



Weight . . . . .4.0 grams TYP  
 Tube . . . . .15/tube  
 Tape & Reel . . . . .250/reel

# 10/100BASE-TX QUAD PORT TRANSFORMER MODULES

For Use with Level One's LXT974, LXT975  
and LXT980 Series of PHY Solutions



## For More Information :

---

### Corporate

12220 World Trade Drive  
San Diego, CA 92128  
Tel: 619 674 8100  
FAX: 619 674 8262  
<http://www.pulseeng.com>  
Quick-Facts: 619 674 9672

### Europe

1 & 2 Huxley Road  
The Surrey Research Park  
Guildford, Surrey GU2 5RE  
United Kingdom  
Tel: 44 1483 401700  
FAX: 44 1483 401701

### Asia

150 Kampong Ampat  
#07-01/02  
KA Centre  
Singapore 368324  
Tel: 65 287 8998  
FAX: 65 280 0080

### Distributor

Performance warranty of products offered on this data sheet is limited to the parameters specified. Data is subject to change without notice. Other brand and product names mentioned herein may be trademarks or registered trademarks of their respective owners.