

Customer Information Sheet

DRAWING No.: M52-511XX45

SHEET 2 OF 2

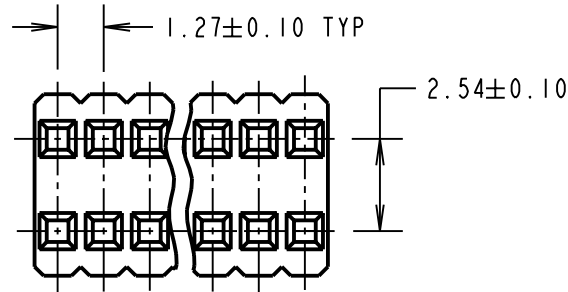
IF IN DOUBT - ASK

©

NOT TO SCALE

THIRD ANGLE PROJECTION

ALL DIMENSIONS IN mm



ORDER CODE:

M52-511XX45

No. OF WAYS PER ROW
03 TO 50

FINISH: GOLD

SPECIFICATIONS:

MATERIAL:

MOULDING = NYLON 6T UL94V-0, BLACK
CONTACT = PHOSPHOR BRONZE

FINISH:

CONTACT = GOLD

ELECTRICAL:

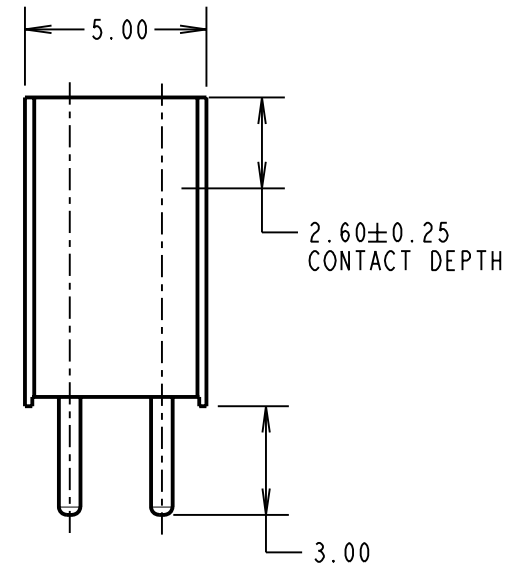
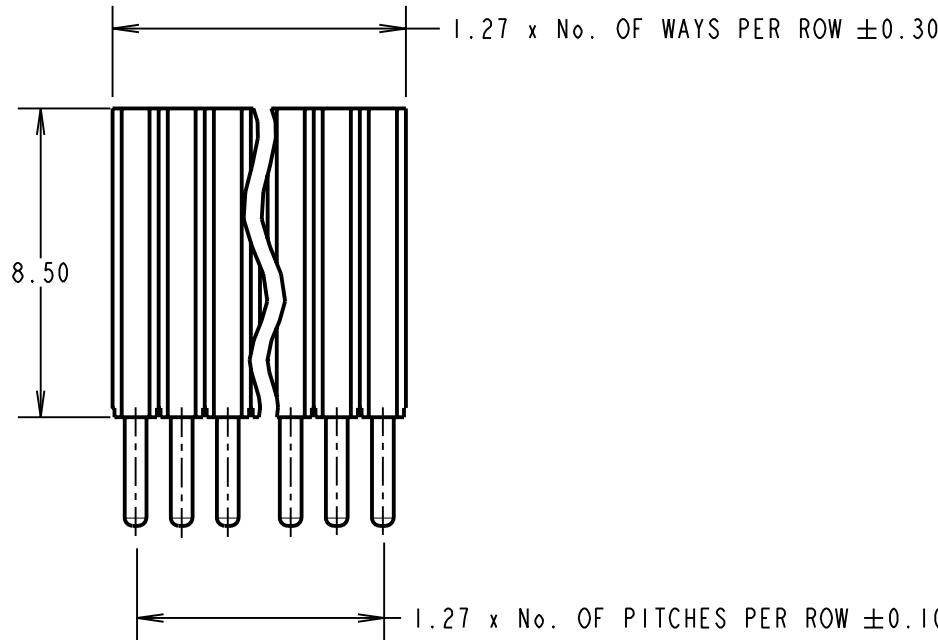
CURRENT RATING = 1A
VOLTAGE PROOF = 500V AC/DC
CONTACT RESISTANCE = 20 MILLIOHMS MAX
INSULATION RESISTANCE = 5,000 MEGOHMS MIN

ENVIRONMENTAL:

OPERATING TEMPERATURE = -55°C TO +105°C

PACKING:

TUBE



NOTES:

1. RECOMMENDED PCB HOLE SIZE = $\varnothing 0.60 \pm 0.20$ mm.
2. ALL TOLERANCES ARE ± 0.20 UNLESS OTHERWISE STATED.
3. MAXIMUM MATING PIN LENGTH = 6.10mm.

CP	5	14.09.09	10298
NAME	ISS.	DATE	C/NOTE
APPROVED: C.PENROSE			
CHECKED: R.ADDE			
DRAWN: J. ENRIGHT			
CUSTOMER REF.:			
ASSEMBLY DRG:			

HARWIN

HARWIN USA TEL: 603 893 5376 FAX: 603 893 5396 mis@harwin.com	HARWIN Europe (UK) TEL: 023 9231 4545 FAX: 023 9231 4590 mis@harwin.co.uk	HARWIN Asia TEL: +65 6 779 4909 FAX: +65 6 779 3868 mis@harwin.com.sg
--	--	--

THIS DRAWING AND ANY INFORMATION OR DESCRIPTIVE MATTER SET OUT HEREON ARE CONFIDENTIAL AND COPYRIGHT PROPERTY OF THE HARWIN GROUP AND MUST NOT BE DISCLOSED, LOANED, COPIED OR USED FOR MANUFACTURING, TENDERING OR FOR ANY OTHER PURPOSE WITHOUT THEIR WRITTEN PERMISSION.

TOLERANCES
~~X. = ± 1 mm~~
~~X.X = ± 0.25 mm~~
~~X.XX = ± 0.10 mm~~
~~X.XXX = ± 0.01 mm~~
 ANGLES = $\pm 5^\circ$
 UNLESS STATED

MATERIAL:
SEE ABOVE
FINISH: SEE ABOVE
S/AREA: mm²

TITLE:
1.27mm PITCH DIL
VERTICAL PC TAIL SOCKET ASSY
DRAWING NUMBER:
M52-511XX45
SHT 2 OF 2