

# Customer Information Sheet

DRAWING No.: M80-891XXXX

SHEET 2 OF 2

IF IN DOUBT - ASK

(C)

NOT TO SCALE

THIRD ANGLE PROJECTION

ALL DIMENSIONS IN mm

## SPECIFICATION

**MATERIAL:**  
 MOULDING = GLASS-FILLED POLYESTER, UL94V-0  
 CLIP = BERYLLIUM COPPER  
 SHELL = BRASS

**FINISH:**  
**CONTACTS:**  
 01 = 0.30µm GOLD CLIP, 4.0µm TIN/LEAD SHELL  
 05 = 0.30µm GOLD CLIP, 0.28µm GOLD SHELL

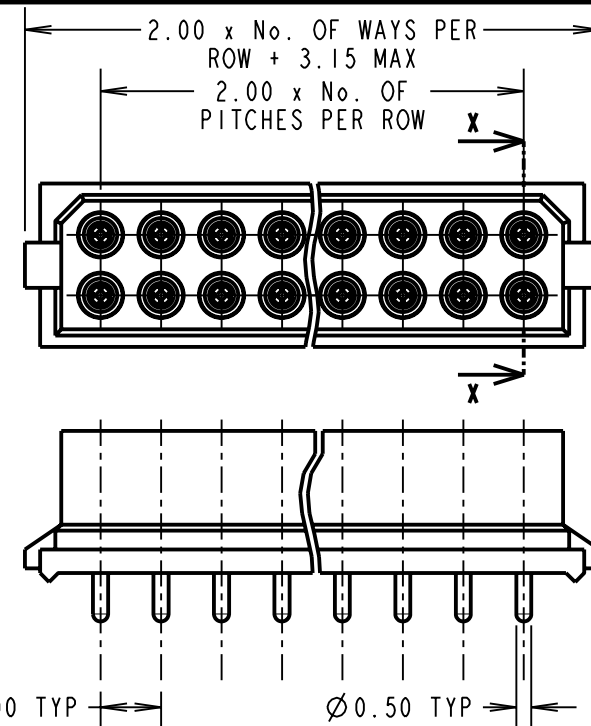
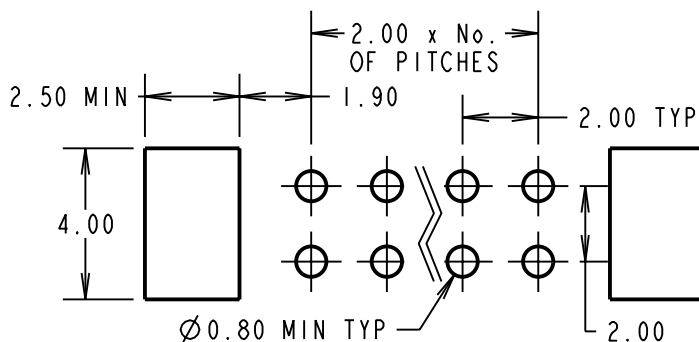
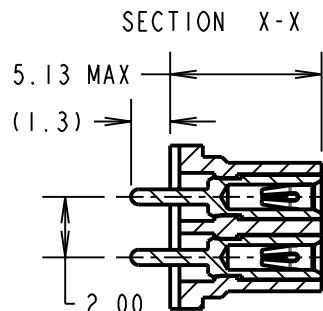
**ELECTRICAL:**  
 CURRENT RATING AT 25°C = 3.0A MAX  
 CURRENT RATING AT 85°C = 2.2A MAX  
 WORKING VOLTAGE = 120V AC/DC  
 VOLTAGE PROOF = 360V AC/DC

**CONTACT RESISTANCE:**  
 INITIAL = 20mΩ MAX  
 AFTER CONDITIONING = 25mΩ MAX  
**INSULATION RESISTANCE:**  
 INITIAL = 1000MΩ MIN  
 AFTER CONDITIONING = 100MΩ MIN

**ENVIRONMENTAL:**  
 TEMPERATURE RANGE = -55°C TO +125°C

**MECHANICAL:**  
 DURABILITY = 500 OPERATIONS  
 INSERTION FORCE = 2.8N MAX, 1.0N MIN  
 WITHDRAWAL FORCE = 1.8N MAX, 0.2N MIN

**PACKING:**  
 TUBE  
 FOR COMPLETE SPECIFICATION, SEE COMPONENT SPECIFICATION C005XX (LATEST ISSUE)



RECOMMENDED PCB LAYOUT

BRITISH STANDARD  
 ORDER CODE: TO BS9525 F0033

**B5741-2XX-F-N-X**

TOTAL No. OF WAYS  
 04 - 20 (EVEN NUMBERS)  
 26, 34, 44

**FINISH**  
 0 - GOLD CLIP, TIN/LEAD SHELL  
 2 - GOLD CLIP, GOLD SHELL

COMMERCIAL  
 ORDER CODE:

**M80-891XXXX**

TOTAL No. OF WAYS  
 04 - 20 (EVEN NUMBERS)  
 26, 34, 44

**FINISH**  
 01 - GOLD CLIP, TIN/LEAD SHELL  
 05 - GOLD CLIP, GOLD SHELL

SM	6	12.05.10	10790
----	---	----------	-------

NAME	ISS.	DATE	C/NOTE
------	------	------	--------

APPROVED: S. MCCULLAGH

CHECKED: R. ADDE

DRAWN: W. J. BOURNE

CUSTOMER REF.:

ASSEMBLY DRG:

**HARWIN**

HARWIN USA TEL: 603 893 5376 FAX: 603 893 5396 mis@harwin.com	HARWIN Europe (UK) TEL: 023 9231 4545 FAX: 023 9231 4590 mis@harwin.co.uk	HARWIN Asia TEL: +65 6 779 4909 FAX: +65 6 779 3868 mis@harwin.com.sg
--	--	--

THIS DRAWING AND ANY INFORMATION OR DESCRIPTIVE MATTER SET OUT HEREON ARE CONFIDENTIAL AND COPYRIGHT PROPERTY OF THE HARWIN GROUP AND MUST NOT BE DISCLOSED, LOANED, COPIED OR USED FOR MANUFACTURING, TENDERING OR FOR ANY OTHER PURPOSE WITHOUT THEIR WRITTEN PERMISSION.

**TOLERANCES**  
 X. = ±1mm  
 X.X = ±0.25mm  
 X.XX = ±0.10mm  
 X.XXX = ±0.01mm  
**ANGLES = ±5°**  
 UNLESS STATED

**MATERIAL:**  
 SEE ABOVE  
**FINISH:**  
 SEE ABOVE  
**S/AREA:** mm<sup>2</sup>

**TITLE:** DATAMATE 2mm PITCH  
 VERTICAL 1.3mm PC TAIL DIL  
 SOCKET ASSEMBLY  
**DRAWING NUMBER:**  
**M80-891XXXX**  
 SHT 2 OF 2