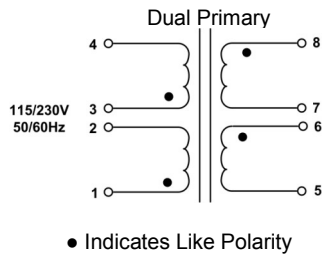
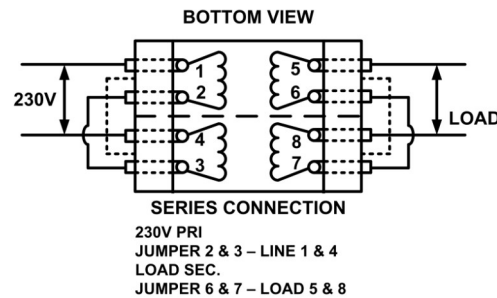
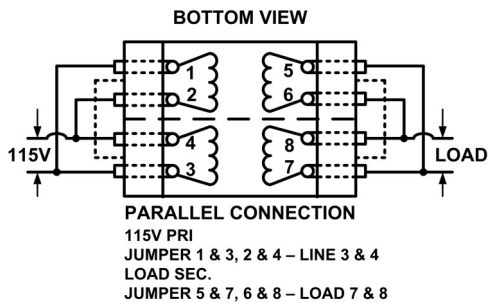
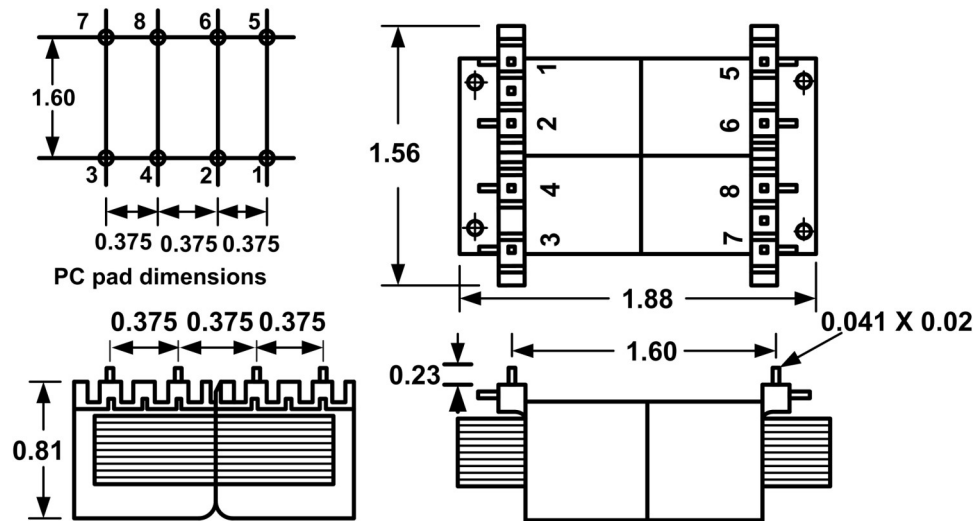


# FZ - PRINTED CIRCUIT MOUNT, LOW PROFILE POWER TRANSFORMER



## 1. Electrical Specifications

- A. Maximum Power: 6VA
- B. Input Voltage and Frequency: 115/230V @ 50/60Hz
- C. Voltage Regulation: 21% TYP, Full Load to No Load
- D. Temperature Rise: 30°C TYP
- E. Insulation Resistance: < 1 MEG ohm
- F. Hi-Pot: 2500 Vrms 1 minute @ Pri to Sec  
 2500 Vrms 1 minute @ Pri to Core  
 1500 Vrms 1 minute @ Sec to Core

2. Marking: Powervolt , part number (see table), date code, terminal numbers

3. Safety:  
 UL/cUL 5085-2 Recognized (File E180353)



Part No.	Series Connection	Parallel Connection
FZ 20-300	20VCT @ 0.300A	10V @ 0.600A

 The Power for your System	<b>POWER TRANSFORMER</b>		<b>FZ 20-300</b>	
	CONTENTS OF THIS DRAWING ARE SUBJECT TO CHANGE WITHOUT PRIOR NOTICE		Powervolt, Inc. 300 W Factory Road, Addison, IL 60101	Dim: Inches
PROPRIETARY NOTICE: THIS DRAWING PRINT OR DOCUMENT AND SUBJECT MATTER DISCLOSED HEREIN ARE PROPRIETARY ITEMS TO WHICH POWERSVOLT RETAINS THE EXCLUSIVE RIGHT OF DISSEMINATION, MANUFACTURE AND SALE. THIS DRAWING, PRINT OR DOCUMENT IS SUBMITTED IN CONFIDENCE FOR CONSIDERATION BY THE RECIPIENT ALONE UNLESS PERMISSION FOR FURTHER DISCLOSURE IS EXPRESSLY GRANTED IN WRITING				