

NPN SILICON RF POWER TRANSISTOR

DESCRIPTION:

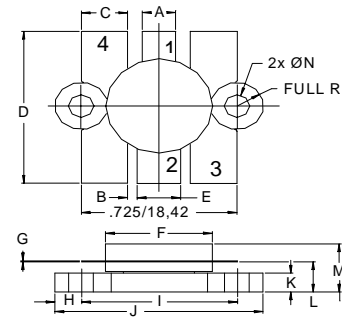
The **ASI SRF820H** is Designed for High Power Class C Amplifier applications, in 225 to 400 MHz Military Communication Equipment.

FEATURES:

- Internal Input Matching Network
- $P_G = 8.4$ dB at 70 W/400 MHz
- **Omnigold™** Metalization System
- Available in matched pairs and quads

MAXIMUM RATINGS

I_C	8.0 A
V_{CBO}	60 V
V_{CEO}	30 V
V_{EBO}	4.0 V
P_{DISS}	220 W @ $T_C = 25^\circ C$
T_J	-65 °C to +200 °C
T_{STG}	-65 °C to +150 °C
θ_{JC}	1.25 °C/W

PACKAGE STYLE .500 6L FLG


DIM	MINIMUM inches / mm	MAXIMUM inches / mm
A	.150 / 3.43	.160 / 4.06
B	.045 / 1.14	
C	.210 / 5.33	.220 / 5.59
D	.835 / 21.21	.865 / 21.97
E	.200 / 5.08	.210 / 5.33
F	.490 / 12.45	.510 / 12.95
G	.003 / 0.08	.007 / 0.18
H	.125 / 3.18	
I	.725 / 18.42	
J	.970 / 24.64	.980 / 24.89
K	.090 / 2.29	.105 / 2.67
L	.150 / 3.81	.170 / 4.32
M	.285 / 7.24	
N	.120 / 3.05	.135 / 3.43

1 = COLLECTOR 2 = BASE 3 & 4 = EMITTER

ORDER CODE: ASI10474
CHARACTERISTICS $T_C = 25^\circ C$

SYMBOL	TEST CONDITIONS	MINIMUM	TYPICAL	MAXIMUM	UNITS
BV_{CEO}	$I_C = 50$ mA	30			V
BV_{CBO}	$I_C = 50$ mA	60			V
BV_{EBO}	$I_E = 10$ mA	4.0			V
I_{CBO}	$V_{CB} = 30$ V			5.0	mA
h_{FE}	$V_{CE} = 5.0$ V $I_C = 2.0$ A	20		80	---
C_{OB}	$V_{CB} = 28$ V $f = 1.0$ MHz			80	pF
P_G P_{OUT}	$V_{CC} = 28$ V $P_{IN} = 70$ W $f = 400$ MHz	8.4 70			dB W