

PLEASE CHECK WWW.MOLEX.COM FOR LATEST PART INFORMATION

Part Number: [5019124590](#)
Status: **Active**
Description: 0.30mm (.012") Pitch Easy-On™ FPC Connector, Right Angle, SMT, Bottom Contact Style, 1.80mm (.071") Mated Height, 45 Circuits

Documents:

[3D Model](#)
[Drawing \(PDF\)](#)

[Product Specification PS-501912-001 \(PDF\)](#)
[RoHS Certificate of Compliance \(PDF\)](#)

General

Product Family FFC/FPC Connectors
 Series [501912](#)
 Product Name Easy-On™

Physical

Circuits (Loaded) 45
 Circuits (maximum) 45
 Color - Resin Black, Natural
 Contact Position Bottom
 Durability (mating cycles max) 20
 Entry Angle 90° Angle
 Mated Height (in) 0.071 In
 Mated Height (mm) 1.80 mm
 Material - Metal Copper, Phosphor Bronze
 Material - Plating Mating Gold
 Material - Plating Termination Gold
 Material - Resin High Temperature Thermoplastic
 Number of Rows 1
 Orientation Right Angle
 PCB Locator No
 PCB Retention None
 Packaging Type Embossed Tape on Reel
 Pitch - Mating Interface (in) 0.012 In
 Pitch - Mating Interface (mm) 0.30 mm
 Pitch - Term. Interface (in) 0.012 In
 Pitch - Term. Interface (mm) 0.30 mm
 Plating min: Mating (µin) 4
 Plating min: Mating (µm) 0.1
 Plating min: Termination (µin) 2
 Plating min: Termination (µm) 0.05
 Polarized to PCB No
 Stackable No
 Surface Mount Compatible (SMC) Yes
 Temperature Range - Operating -20°C to +85°C
 Termination Interface: Style Surface Mount
 Wire/Cable Type FPC only

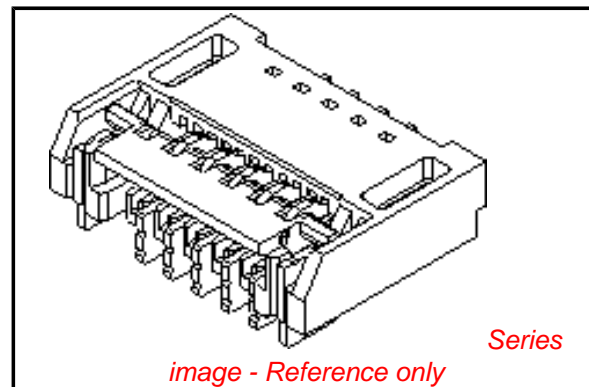
Electrical

Current - Maximum per Contact 0.2A
 Voltage - Maximum 50V AC (RMS)/DC

Material Info

Reference - Drawing Numbers

Product Specification PS-501912-001, RPS-501912-001, RPS-501912-002, RPS-501912-003
 Sales Drawing SD-501912-001, SD-501912-002



EU RoHS

ELV and RoHS Compliant
REACH SVHC
 Not Reviewed
Halogen-Free Status
 Not Reviewed

China RoHS



Need more information on product environmental compliance?

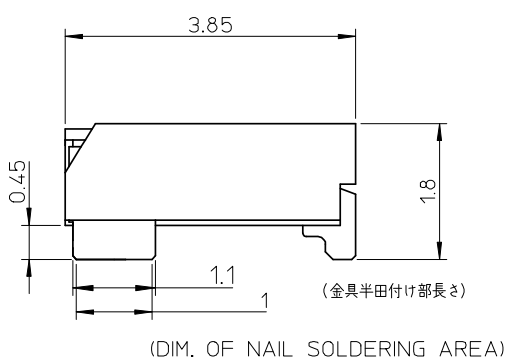
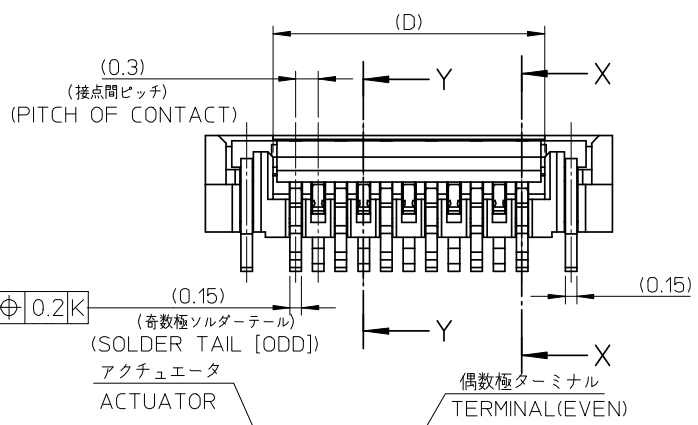
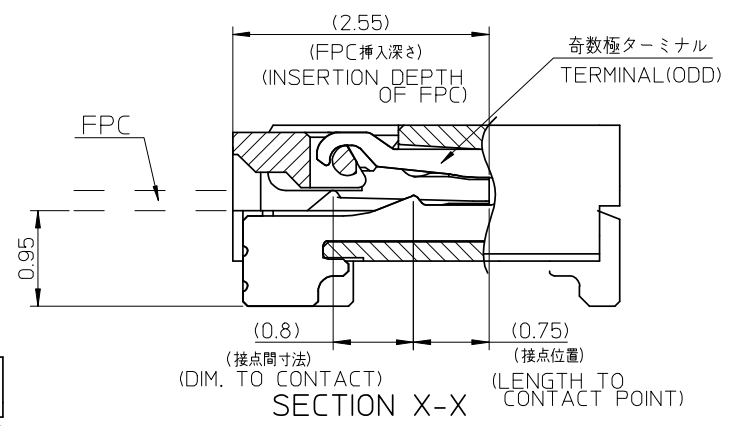
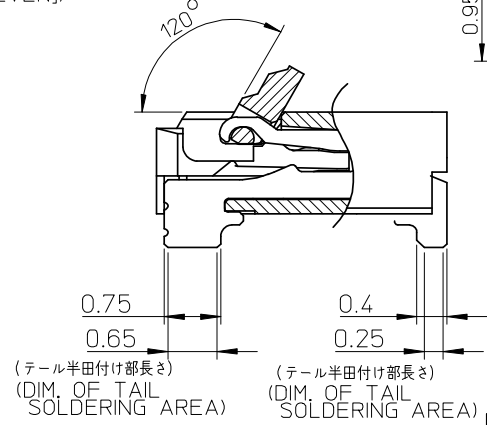
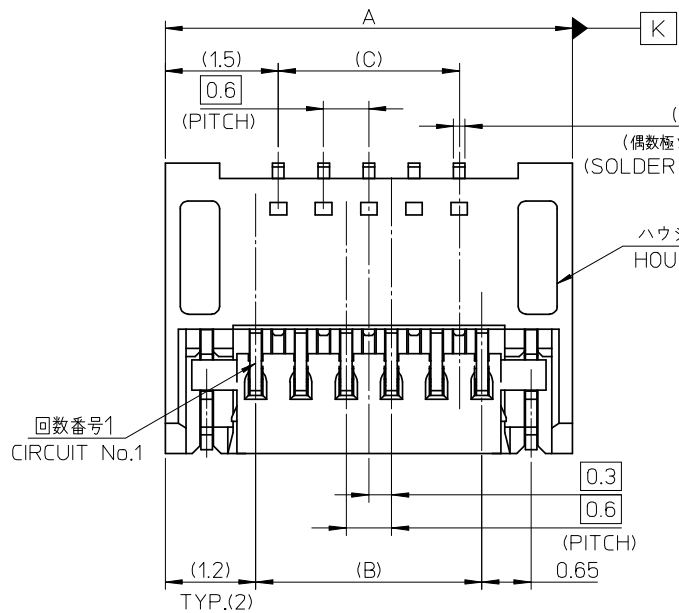
Email productcompliance@molex.com
 For a multiple part number RoHS Certificate of Compliance, [click here](#)

Please visit the [Contact Us](#) section for any non-product compliance questions.

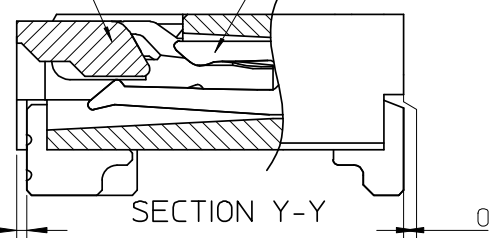
Search Parts in this Series
[501912Series](#)

This document was generated on 04/19/2010

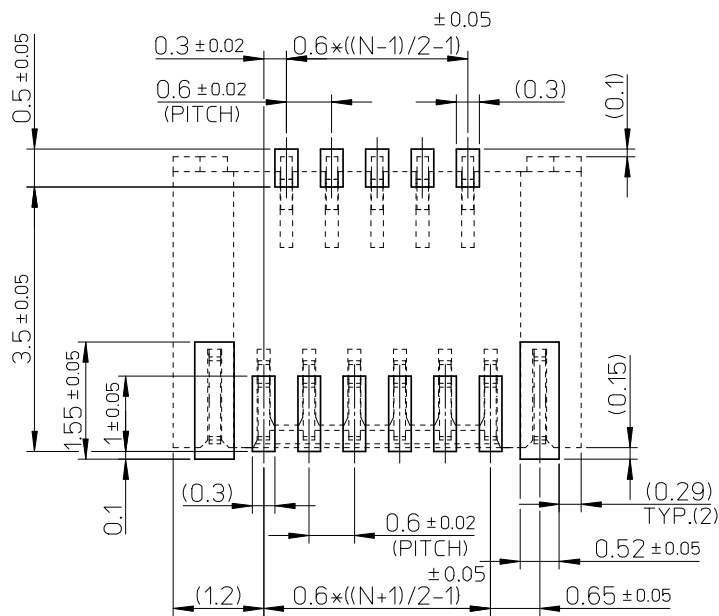
PLEASE CHECK WWW.MOLEX.COM FOR LATEST PART INFORMATION



15.6	14.4	15.0	17.4	501912-5190	501912-5110	51
14.4	13.2	13.8	16.2	501912-4790	501912-4710	47
13.8	12.6	13.2	15.6	501912-4590	501912-4510	45
12.6	11.4	12.0	14.4	501912-4190	501912-4110	41
12.0	10.8	11.4	13.8	501912-3990	501912-3910	39
11.4	10.2	10.8	13.2	501912-3790	501912-3710	37
10.8	9.6	10.2	12.6	501912-3590	501912-3510	35
10.2	9.0	9.6	12.0	501912-3390	501912-3310	33
8.4	7.2	7.8	10.2	501912-2790	501912-2710	27
7.8	6.6	7.2	9.6	501912-2590	501912-2510	25
7.2	6.0	6.6	9.0	501912-2390	501912-2310	23
6.6	5.4	6.0	8.4	501912-2190	501912-2110	21
4.8	3.6	4.2	6.6	501912-1590	501912-1510	15
D	C	B	A	EMBOSSED-TAPE PKG ORDER No.	MATERIAL No.	CIRCUIT



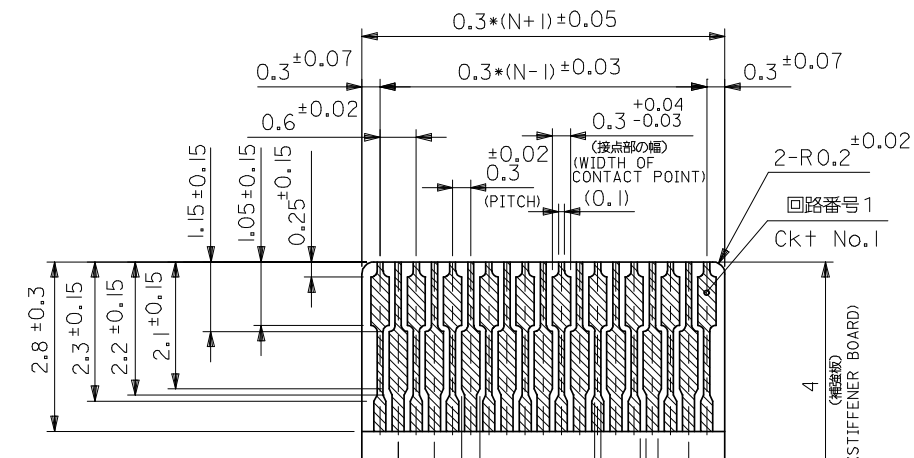
REVISED EC NO: J2008-3324 DRWN: HTAGAMI 2008/03/25 CHKD: KAKAHASHI 2008/04/07 APPR: KAKAHASHI 2008/04/07	GENERAL TOLERANCES (UNLESS SPECIFIED)		DIMENSION STYLE	SCALE	DESIGN UNITS	THIRD ANGLE PROJECTION
			MM ONLY	15:1	METRIC	
	10 UNDER	± 0.2	DRAWN BY	DATE	TITLE	
	10 OVER 30 UNDER	± 0.25	M. HAYASHI	2005/07/28	0.3 FPC CONN E/O HSG ASSY (HGT=1.8MM) GOLDPLATING	
	30 OVER	± 0.3	H. HIRATA	2005/07/28		
ANGULAR ±3 °		APPROVED BY	DATE	MOLEX INCORPORATED		
DRAFT WHERE APPLICABLE MUST REMAIN WITHIN DIMENSIONS		M. SASAO	2005/07/28	MATERIAL NO.	DOCUMENT NO.	SHEET NO.
		SEE TABLE		SD-501912-001	1 OF 2	
THIS DRAWING CONTAINS INFORMATION THAT IS PROPRIETARY TO MOLEX INCORPORATED AND SHOULD NOT BE USED WITHOUT WRITTEN PERMISSION						



参考基板レイアウト図
(マウント面)
(MOUNTING SIDE)

注記 NOTES

- 使用材料 MATFRIAL
 ハウジング : 耐熱性樹脂 ガラス充填 UL94V-0
 HOUSING : HEAT RESISTANCE POLYMER (GLASS FILLED) UL94V-0
 アクチュエータ : 耐熱性樹脂 ガラス充填 UL94V-0
 ACTUATOR : HEAT RESISTANCE POLYMER (GLASS FILLED) UL94V-0
 ターミナル : 銅合金 (t=0.15), ニッケル下地金メッキ
 TERMINAL : COPPER ALLOY, GOLD OVER NICKEL PLATING.
 金具 : 銅合金 (t=0.15), ニッケル下地スズメッキ
 FITTING NAIL : COPPER ALLOY, TIN OVER NICKEL PLATING.
 ハウジングに黒点がある場合が有りますが、問題はありません。
- ソルダーテール半田付け面、及び金具半田付け面の平坦度 : 0.1mm MAXIMUM.
 COPLANARITY OF SOLDER TAILS AND FITTING NAILS TO BE 0.1mm MAXIMUM.
- ELV AND RoHS COMPLIANT.



適合FPC推奨寸法
APPLICABLE FPC
RECOMMENDED DIMENSION
(仕上がり厚さ: 0.2 ± 0.03)
(THICKNESS: 0.2 ± 0.03)

FPCについて:

打抜き方向は導体側から補強板側を推奨いたします。
 導体部については軟銅箔35マイクロメートルまたは50マイクロメートルを推奨致します。
 補強フィルム材質はポリイミドを推奨します。
 接着剤は熱硬化接着剤を推奨します。

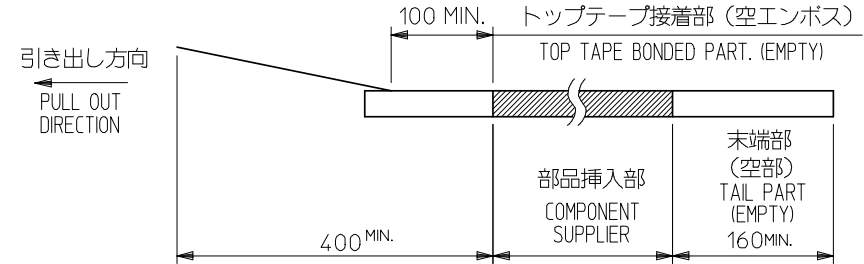
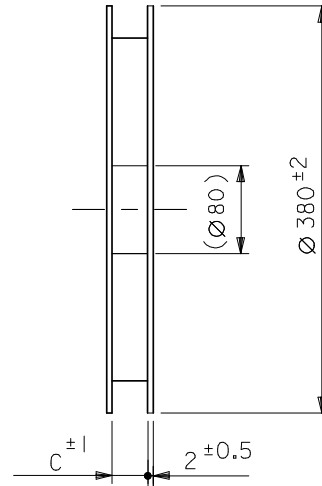
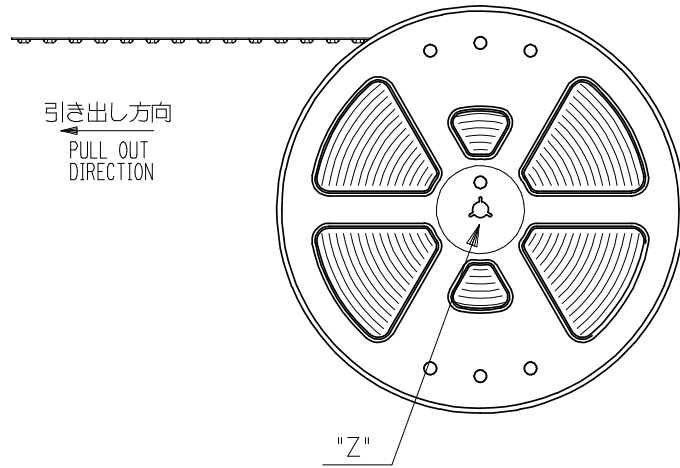
ABOUT FPC

RECOMMENDED PUNCHER DIRECTION : FROM CONDUCTOR SIDE TO STIFFENER FILM SIDE.
 RECOMMENDED CONDUCTOR SPEC :
 THICKNESS OF SOFT COPPER FOIL : 35 MICROMETER OR 50 MICROMETER
 RECOMMENDED MATERIAL :
 STIFFENER FILM : POLYIMIDE
 BONDING AGENT : THERMOSETTING BONDING AGENT

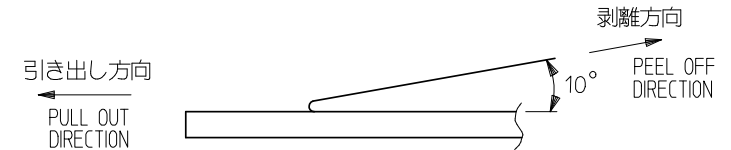
REVISED EC NO: J2008-3324 DRWN: HTAGAMI 2008/03/25 CHKD: TAKAHASHI 2008/04/07 APPR: KAKAHASHI 2008/04/07	DESCRIPTION	GENERAL TOLERANCES (UNLESS SPECIFIED)		DIMENSION STYLE MM ONLY		SCALE ----	DESIGN UNITS METRIC	THIRD ANGLE PROJECTION		
		10 UNDER	±0.2	DRAWN BY M. HAYASHI	DATE 2005/07/28	TITLE 0.3 FPC CONN E/O HSG ASSY (HGT=1.8MM) GOLDPLATING				
		10 OVER 30 UNDER	±0.25	CHECKED BY H. HIRATA	DATE 2005/07/28	MOLEX INCORPORATED				
		30 OVER	±0.3	APPROVED BY M. SASAO	DATE 2005/07/28	DOCUMENT NO. SD-501912-001				
REV	SIZE A3	ANGULAR ±3 ° DRAFT WHERE APPLICABLE MUST REMAIN WITHIN DIMENSIONS		MATERIAL NO. SEE SHEET 1		SHEET NO. 2 OF 2		THIS DRAWING CONTAINS INFORMATION THAT IS PROPRIETARY TO MOLEX INCORPORATED AND SHOULD NOT BE USED WITHOUT WRITTEN PERMISSION		

NOTES

- 製品詳細寸法は製品単体図面を参照して下さい。
FOR DETAIL OF CONNECTOR DIMENSIONS, PLEASE SEE THE DRAWING OF CONNECTOR ITSELF (NOT PACKAGED).
- 梱包数量：3000個/リール
NUMBER OF CONNECTORS : 3000PCS/REEL
- リードテープ長さ LEAD TAPE LENGTH



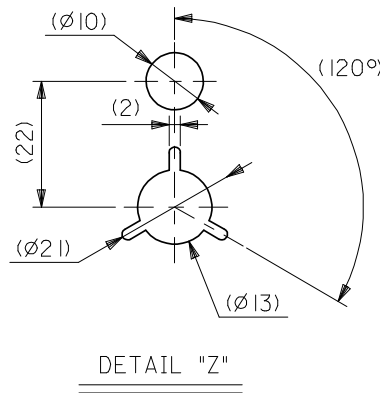
- トップテープの剥離強度：60±35gf (0.25N～0.93N) (剥離方向は下図参照) 尚、本規格値は出荷時に適用。(但し、輸送時に剥離が発生しないこと。)
PEELING OFF FORCE OF TOP TAPE : 65gf±30gf (0.25N～0.93N)
(PEELING DIRECTION AS SHOWN IN FOLLOWING FIG.)
THIS REQUIREMENT SHOULD BE APPLIED AT SHIPMENT.
PEEL OFF SHOULD NOT BE ALLOWED , DURING TRANSPORTATION.



5. 材料(MATERIAL)

キャリアテープ (CARRIER TAPE) : ポリスチレン (POLYSTYREN)
 トップテープ (TOP TAPE) : PET, PE, PEF
 リール(REEL) : ポリスチレン(PS) <リサイクル材を含む>
 POLYSTYREN(PS) <RECYCLE MATERIAL CONTAINED>

- C寸法は SHEET 2-4を参照下さい。
SEE SHEET 2-4(DIMENSION C).
- ELV AND RoHS COMPLIANT.



DETAIL "Z"

REVISED EC NO: J2008-3324 T DRWN:HTAGAMI 2008/03/25 CH'KD:KTAKAHASHI 2008/04/07 APPR:KTAKAHASHI 2008/04/07 REV	GENERAL TOLERANCES (UNLESS SPECIFIED)		DIMENSION STYLE MM ONLY		SCALE ---	DESIGN UNITS METRIC	501912-**90	MODEL NO.	
	10 UNDER	±0.2	DRAWN BY M. HAYASHI	DATE 2005/10/11	TITLE EMBSTP PKG FOR 0.3 FPC CONN (HGT=1.8MM) GOLD PLATING				
	10 OVER 30 UNDER	±0.25	CHECKED BY H. HIRATA	DATE 2005/10/11					
	30 OVER	±0.3	APPROVED BY M. SASAO	DATE 2005/10/11	MOLEX INCORPORATED				
	ANGULAR ±3 °		MATERIAL NO.		DOCUMENT NO.		SHEET NO.		
	DRAFT WHERE APPLICABLE MUST REMAIN WITHIN DIMENSIONS		SEE TABLE		SD-501912-002		1 OF 4		
THIS DRAWING CONTAINS INFORMATION THAT IS PROPRIETARY TO MOLEX INCORPORATED AND SHOULD NOT BE USED WITHOUT WRITTEN PERMISSION									

F

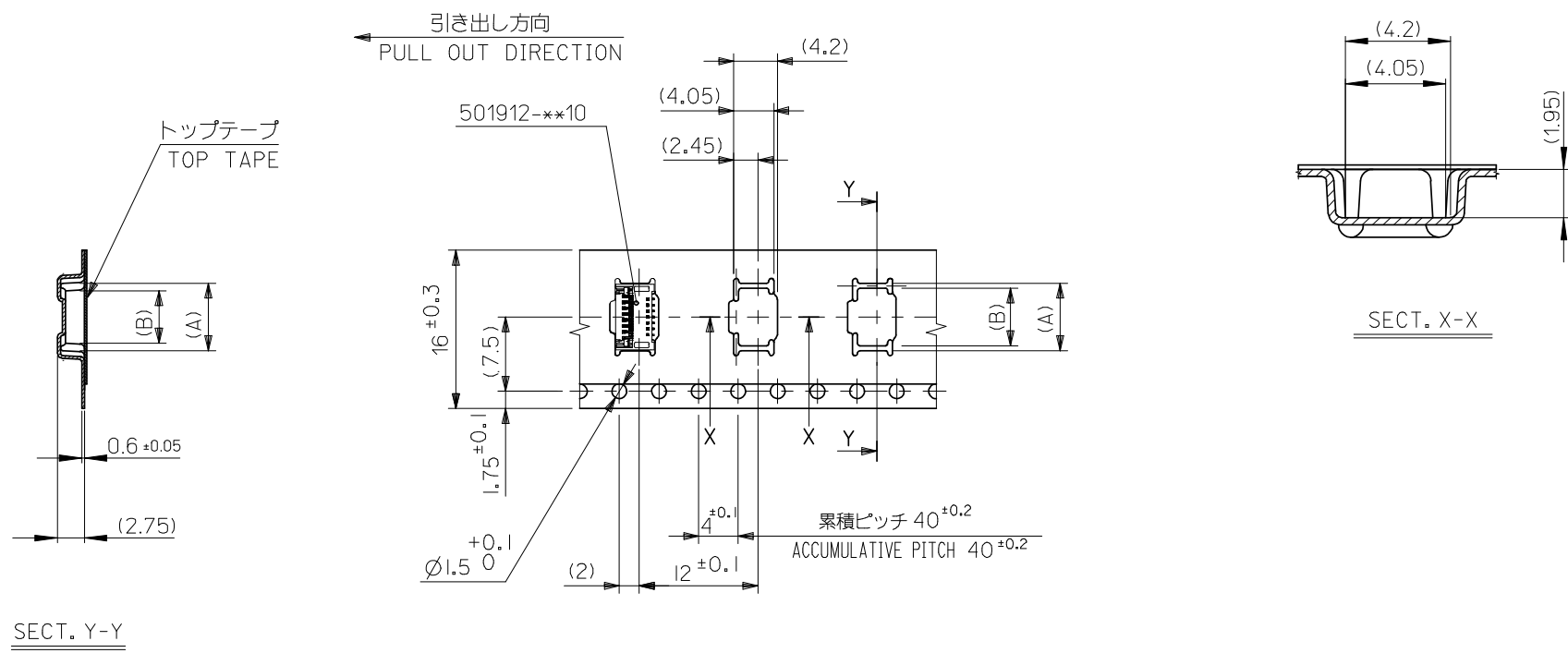
E

D

C

B

A



16 mm幅キャリアテープ
16mm WIDTH CARRIER TAPE

16	17.5	4.6	6.8	501912-1590	15
キャリアテープ幅 CARRIER TAPE WIDTH	C	(B)	(A)	製品番号 MATERIAL No.	極数 CK+
				501912-**90	MODEL No.

REVISED EC NO: J2008-3324 DRAWN: TAGAMI 2008/03/25 CH'KD: TAKAHASHI 2008/04/07 APPR: KITAHASHI 2008/04/07 T REV	GENERAL TOLERANCES (UNLESS SPECIFIED)		DIMENSION STYLE MM ONLY		SCALE ---	DESIGN UNITS METRIC	THIRD ANGLE PROJECTION
	10 UNDER	± 0.2	DRAWN BY M. HAYASHI	DATE 2005/10/11	TITLE EMBSTP PKG FOR 0.3 FPC CONN (HGT=1.8MM) GOLD PLATING		
	10 OVER 30 UNDER	± 0.25	CHECKED BY H. HIRATA	DATE 2005/10/11	MOLEX INCORPORATED		
	30 OVER	± 0.3	APPROVED BY M. SASAO	DATE 2005/10/11	MATERIAL NO.	DOCUMENT NO.	SHEET NO.
	ANGULAR ± 3 °		DRAFT WHERE APPLICABLE MUST REMAIN WITHIN DIMENSIONS		SEE TABLE	SD-501912-002	2 OF 4
			THIS DRAWING CONTAINS INFORMATION THAT IS PROPRIETARY TO MOLEX INCORPORATED AND SHOULD NOT BE USED WITHOUT WRITTEN PERMISSION				

F

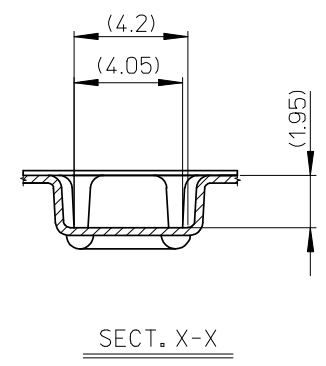
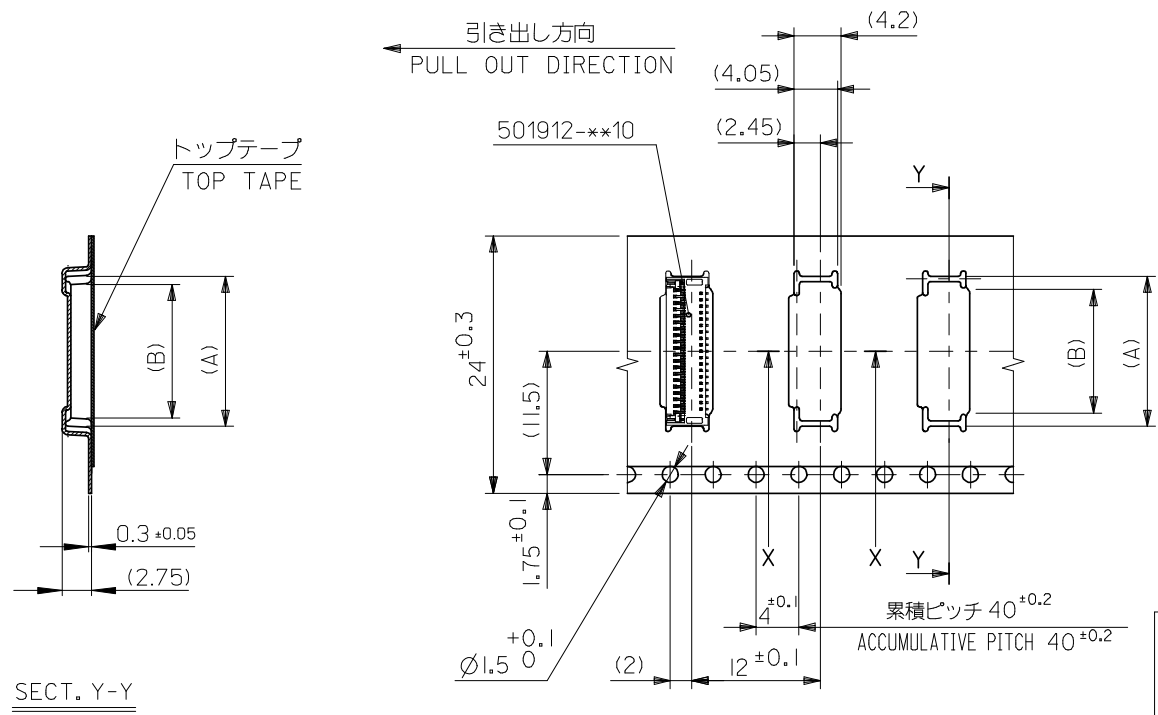
E

D

C

B

A



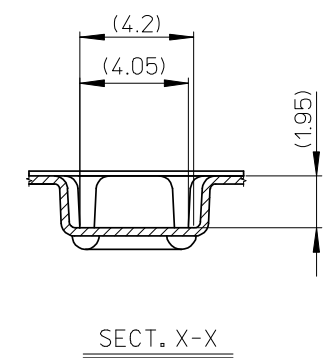
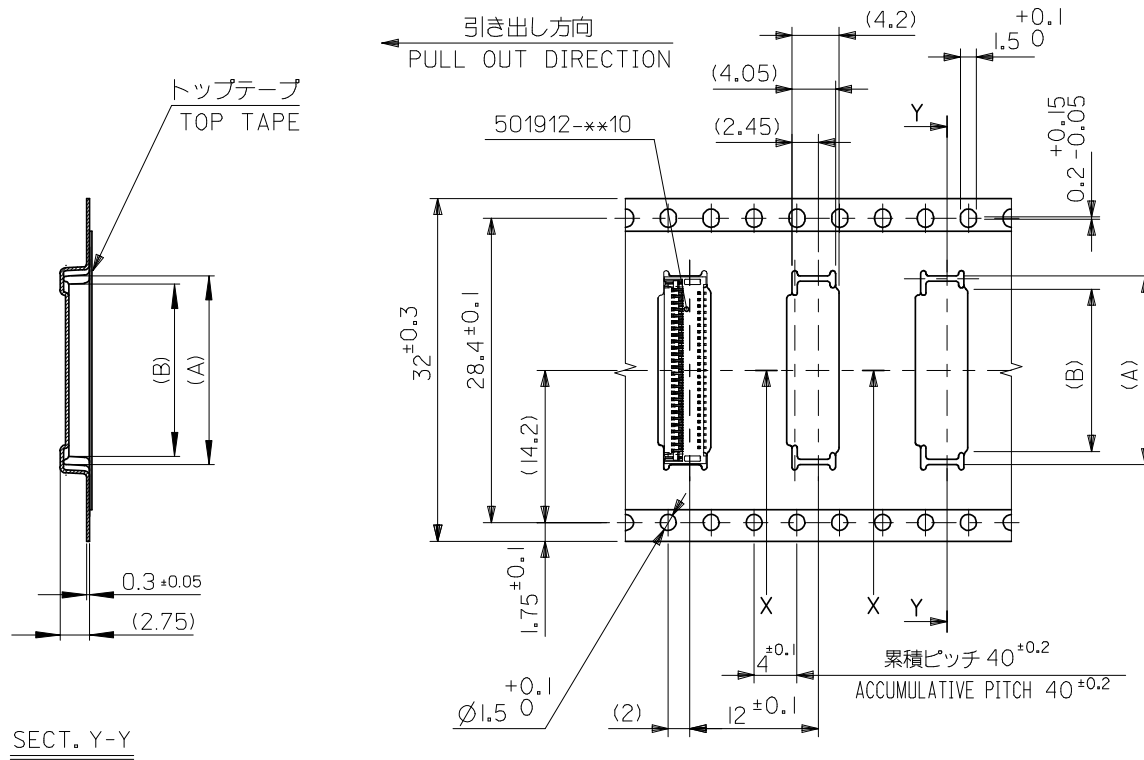
SECT. Y-Y

SECT. X-X

24mm幅キャリアテープ
24mm WIDTH CARRIER TAPE

24	25.5	12.4	14.6	501912-4190	41	
		11.8	14.0	501912-3990	39	
		11.2	13.4	501912-3790	37	
		10.6	12.8	501912-3590	35	
		10.0	12.2	501912-3390	33	
		8.2	10.4	501912-2790	27	
		7.6	9.8	501912-2590	25	
		7.0	9.2	501912-2390	23	
		6.4	8.6	501912-2190	21	
キャリアテープ幅 CARRIER TAPE WIDTH		C	(B)	(A)	製品番号 MATERIAL No.	極数 CK+
				501912-**-90	MODEL No.	

REVISED EC NO: J2008-3324 DRWN:HTAGAMI 2008/03/25 CHKD:KTAKAHASHI 2008/04/07 APPR:KTAKAHASHI 2008/04/07	GENERAL TOLERANCES (UNLESS SPECIFIED)		DIMENSION STYLE MM ONLY		SCALE ---	DESIGN UNITS METRIC	THIRD ANGLE PROJECTION	
	10 UNDER	±0.2	DRAWN BY M. HAYASHI	DATE 2005/10/11	TITLE EMBSTP PKG FOR 0.3 FPC CONN (HGT=1.8MM) GOLD PLATING			
	10 OVER 30 UNDER	±0.25	CHECKED BY H. HIRATA	DATE 2005/10/11				
	30 OVER	±0.3	APPROVED BY M. SASAO	DATE 2005/10/11	MOLEX INCORPORATED			
	ANGULAR	±3 °	MATERIAL NO.	DOCUMENT NO.				
DRAFT WHERE APPLICABLE MUST REMAIN WITHIN DIMENSIONS		SEE TABLE		SD-501912-002		3 OF 4		



32mm幅キャリアテープ
32mm WIDTH CARRIER TAPE

32	33.5	15.4	17.6	501912-5190	51
		14.2	16.4	501912-4790	47
		13.6	15.8	501912-4590	45
キャリアテープ幅 CARRIER TAPE WIDTH	C	(B)	(A)	製品番号 MATERIAL No.	極数 CK+
				501912-**90	MODEL No.

REVISED EC NO: J2008-3324 T DRWN: HTAGAMI 2008/03/25 CH'KD: KTAKAHASHI 2008/04/07 APPR: KTAKAHASHI 2008/04/07 REV DESCRIPTION	GENERAL TOLERANCES (UNLESS SPECIFIED)		DIMENSION STYLE MM ONLY		SCALE ---	DESIGN UNITS METRIC	THIRD ANGLE PROJECTION	
	10 UNDER	±0.2	DRAWN BY M. HAYASHI	DATE 2005/10/11	TITLE EMBSTP PKG FOR 0.3 FPC CONN (HGT=1.8MM) GOLD PLATING			
	10 OVER 30 UNDER	±0.25	CHECKED BY H. HIRATA	DATE 2005/10/11				
	30 OVER	±0.3	APPROVED BY M. SASAO	DATE 2005/10/11	MOLEX INCORPORATED			
	ANGULAR	±3 °	MATERIAL NO.	DOCUMENT NO.				
DRAFT WHERE APPLICABLE MUST REMAIN WITHIN DIMENSIONS		SEE TABLE		SD-501912-002		4 OF 4		
SIZE A3 THIS DRAWING CONTAINS INFORMATION THAT IS PROPRIETARY TO MOLEX INCORPORATED AND SHOULD NOT BE USED WITHOUT WRITTEN PERMISSION								