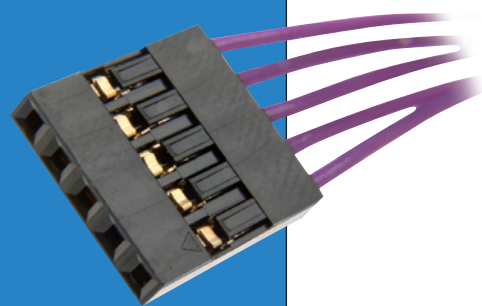


M20 Connectors

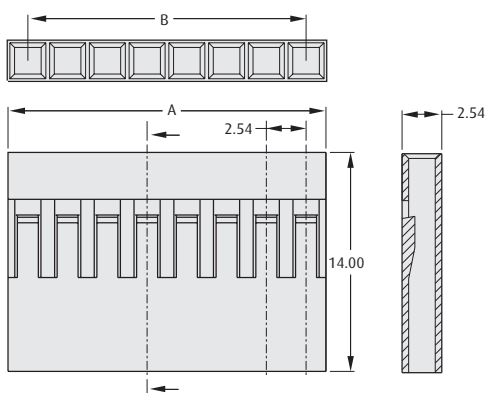
Female Crimp Housing and Contacts

- ❖ Suitable for use with male connectors shown on pages 127 to 134.
- ❖ Twin-leaf phosphor bronze contacts supplied loose or on reels, rear insertable into housing.
- ❖ For Polarising Key use **order code M20-003**.
- ❖ Pre-crimped contacts and cable assembly service available, contact technical@harwin.com.

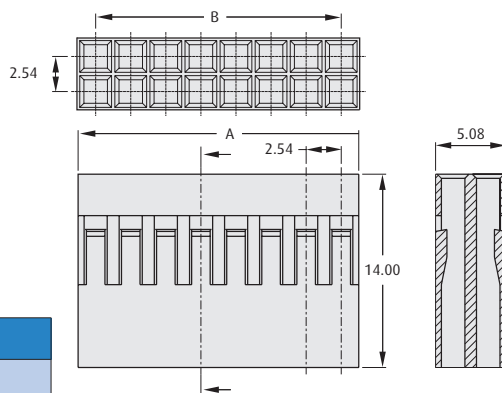


2.54mm (.100") PITCH

SINGLE ROW



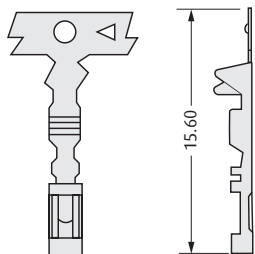
DOUBLE ROW



CALCULATION

A	2.54 x No. of ways per row
B	2.54 x (No. of ways per row - 1)

CONTACTS



TYPE	AWG	ORDER CODE
Reeled	22 - 30	M20-11600XX
Loose	22 - 30	M20-11800XX

- ❖ Order codes for reeled contacts refer to one reel of 10,000 contacts.
- ❖ Order codes for loose contacts refer to one pack of 100 contacts.

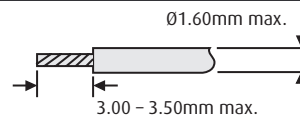
TOOLS

HAND CRIMP TOOL - Z20-320

See page 135

- ❖ Instruction sheets available at www.harwin.com/downloads/instructions

WIRE STRIPPING DETAILS



HOW TO ORDER

M20 - 1 XX XX XX

SERIES CODE

TYPE

06	Single Row Housing
07	Double Row Housing
16	Reeled Contacts
18	Loose Contacts

NO. OF WAYS PER ROW

00	Contacts
02 to 12	Housings

FINISH

00	Housings	
42	Gold + Tin (Contacts)	
46	Tin (Contacts)	

All dimensions in mm.

www.harwin.com

